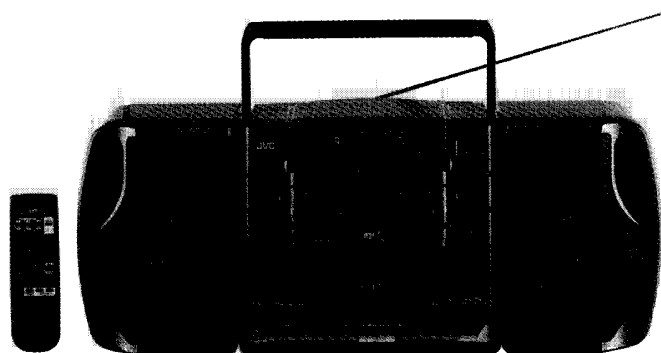


JVC

SERVICE MANUAL

PORTABLE CD CHANGER SYSTEM

PC-XC30 C/J



COMPACT
disc
DIGITAL AUDIO




Area Suffix

C Canada
J U.S.A.

Contents

■ Safety Precautions	Page 2	8. Location of P.C. Board Parts and Parts list	
■ Safety Precaution about PC – XC30	4	■ Main amplifier board	53
■ Instructions(extracts)	5	■ CD amplifier board	58
1. Location of Main Parts	25	■ System microprocessor/key switch board	60
2. Removal of Main Parts	27	■ Tuner board(C/J version)	63
3. Main Adjustments	34	■ CD changer microprocessor board	75
4. CD changer mechanism troubleshooting	39	9. Exploded View of Enclosure Component Parts	
5. Block Diagram	41	■ Receiver section	66
6. Wiring Connections	45	■ Speaker box section	69
7. Standard Schematic Diagram		10. Exploded View of Mechanism Component Parts	
■ CD changer microprocessor circuit	48	■ Cassette mechanism section	70
■ Head amplifier circuit	49	■ CD changer mechanism section	72
■ Tuner circuit	49	■ CD mechanism section	76
■ System microprocessor circuit	50	11. Illustration of Packing and Parts List	77
■ CD amplifier circuit	51		
■ Amplifier circuit	52		

■ Safety Precautions

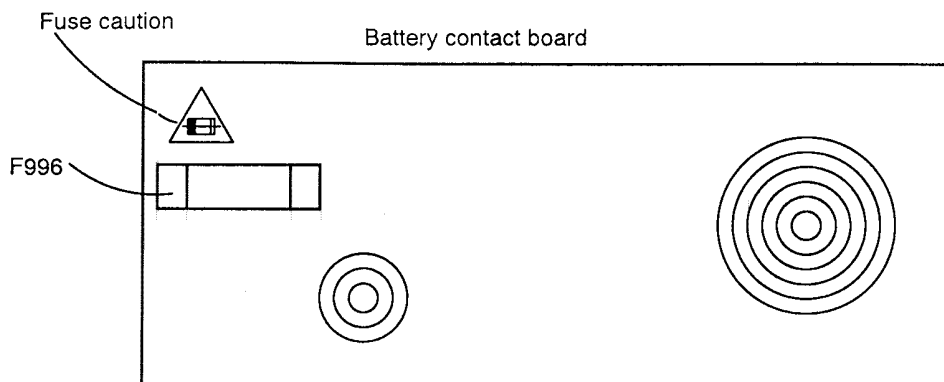
1. The design this product contains special hardware and many circuits and components specially for safety purposes. For continued protection, no changes should be made to the original design unless authorized in writing by the manufacturer. Replacement parts must be identical to those used in the original circuits. Service should be performed by qualified personnel only.
2. Alterations of the design or circuitry of the product should not be made. Any design alterations of the product should not be made. Any design alterations or additions will void the manufacture's warranty and will further relieve the manufacture of responsibility for personal injury or property damage resulting therefrom.
3. Many electrical and mechanical parts in the product have special safety — related characteristics. These characteristics are often not evident from visual inspection nor can the protection afforded by them necessarily be obtained by using replacement components rated for higher voltage, wattage, etc. Replacement parts which have these special safety characteristics are identified in the parts list of service manual. Electrical components having such features are identified by shading () and () on the schematic diagram and by () on the parts list in the service manual. The use of a substitute replacement which does not have the same safety characteristics as the recommended replacement part shown in the parts list of service manual may create shock, fire, or other hazards.
4. The leads in the products are routed and dressed with ties, clamps , tubings, barriers and the like to be separated from live parts, high temperature parts, mpving parts and or sharp edges for the prevention of electric shock and fire hazard. When service is required, the original lead routing and dress should be observed, and it should be confirmed that they have been returned to normal, after reassembling.
5. Leakage current check (Electrical shock hazard testing)

After re-assembling the product, always perform an isolation check on the exposed metal parts of the product (antenna terminals, knobs, metal cabinet, screw heads, headphone jack, control shafts, etc.) to be sure the product is safe to operate without danger of electrical shock. Do not use a line isolation transformer during this check.

- Plug the AC line cord directly into the AC outlet. Using a "Leakage Current Tester", measure the leakage current from each exposed metal part of the cabinet, particularly any exposed metal part having a return path to the chassis, to a known good earth ground. Any leakage current must not exceed 0.5mA AC(r.m.s.).

- Alternate check method

Plug the AC line cord directly into the AC outlet. Use an AC voltmeter having 1,000 ohms per volt or more sensitivity in the following manner. Connect a 1,500 ohms 10W resistor paralleled by a 0.15 μ F AC type capacitor between an exposed metal part and a known good earth ground. Measure the AC voltage across the resistor with the AC voltmeter. Move the resistor connection to each exposed metal part, particularly any exposed metal part having a return path to the chassis, and measure the AC voltage across the resistor. Now, reverse the plug in the AC outlet and repeat each measurement. Any voltage measured must not exceed 0.75V AC(r.m.s.). This corresponds to 0.5mA AC(r.m.s.).



PC – XC30 C ONLY

Full Fusereplacement Marking

Graphic symbol mark

(This symbol means fast blow type fuse.)



should be read as follows:

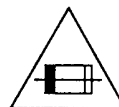
FUSE CAUTION

FOR CONTINUED PROTECTION AGAINST RISK OF FIRE, REPLACE ONLY WITH SAME TYPE OF FUSE; F996 :5A, 125V

PC – XC30 C SEULEMENT

Marquage pour Le Remplacement Complet De Fusible

Le symbole graphique(Ce symbole signifie fusible de type à fusion rapide.)

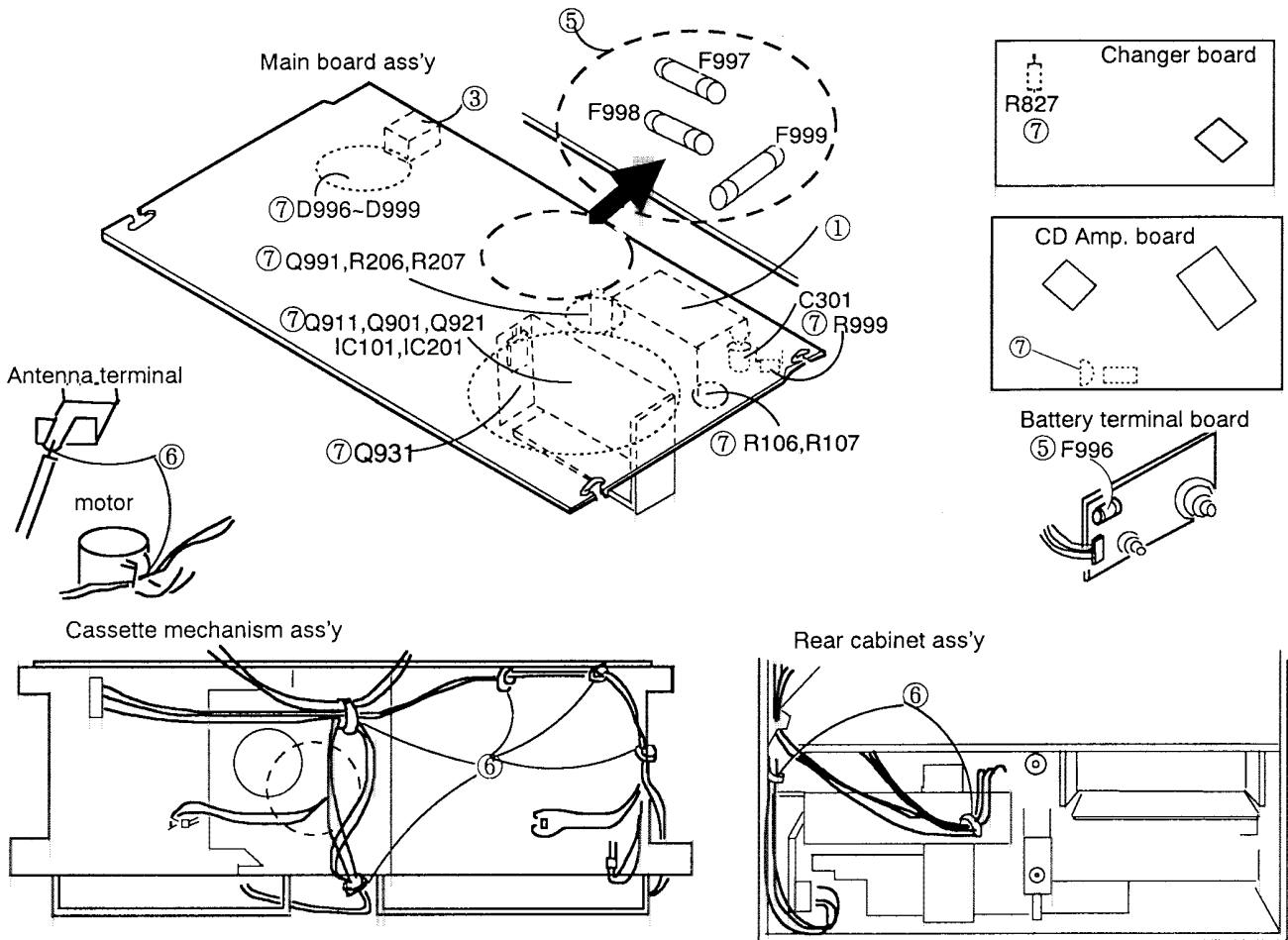


doit être interété comme suit:

PRECAUTIONS SUR LES FUSIBLES

POUR UNE PROTECTION CONTINUE CONTRE DES RISQUES D'INCENDIE, REMPLASER SEULEMENT PAR UN FUSIBLE DU MEME TYPE ; F996: 5A,125V

■ Safety precaution about PC-XC30



Important control points concerning safety

1. Check the power transformer marking, and check that the power transformer is securely installed.
 UL approval number; J:71F032HD
 Parts number; C:VTP57P2-12B, U: VTP57P2-12H

2. Check the power cord marking, and check that the power cord is not externally damaged.

	J version	C version	U vesion
Cord mark:	SPT-1	SPT-2	◀VDE▶
Attachment plug:	KP-10WorSU-1P, KP-10		KP-8
Connect plug:	SU-8PorKS-15W, KS-15B		KS-15

3. Check the AC socket marking, and check that the AC socket is tightly fixed in the P.C.B. when installed.
 Marking J: HSC1566 , C/U: HSC1466

4. Check that there is sufficient space for the primary and adjacent secondary terminal parts on the P.C.B. (There should be no protrusions of solder or terminal wires.)

5. Check the rated fuse display, and check that the fuse is secure in the fuse holder.

Ref. No.	C version	J version	U version
F996	5A/125V	-----	-----
F997	5A/125V	-----	5A/125V
F998	5A/125V	5A/125V	5A/125V
F999	400mA/250V	-----	T400mA/250V

6. Check that the wires are neatly arranged so that they do not interfere with sections involving power, moving parts, heat generation, or those with sharp-edged parts.

7. The following parts are important for safety in such operations as those involved with heat generation. Use the specified parts and check original shape. Heat generating parts should be suspended above the P.C.B., not fallen down. Parts marked with [] are safety control parts.

Q911, Q921, (Q931) , IC101, IC201, D996~D999
 C only: [R999] ,R371, RA340, RA434, D901, D911, R827, (Q581) , Q805,
 U only: [Q901] , Q951, Q805, Q581, RA340, RA341, R371,D701, IC701, IC502, R827,

Instructions(Extracts)

FEATURES

- Multi-function 6-disc changer with extra-CD to play**
 - Direct Disc Select/Skip Play/Search Play/Continuous Play/Repeat Play/Random Play.
 - Programmed play of up to 20 tunes.
- One-touch operation (COMPU PLAY) (only when AC power is used)**
 - When a source button (CD, tape or tuner) is pressed, the unit's power is turned ON and initiates playback, even when the power is set to STANDBY.
- 39-key remote control unit (CD and tuner operations)**
 - Remote control unit controls power ON/OFF switching, volume control, bass/treble control, Active Hyper-Bass (PC-XC50), Multi-Bass Horn (PC-XC30) ON/OFF switching.
- Double-cassette mechanism (Deck A for recording and playback, Deck B for playback)**
 - Metal (type IV) and CrO₂ (type II) tape can be played back, for superior tone quality.
 - Synchro start dubbing function (normal/high-speed dubbing).
- 2-Band digital synthesizer tuner with 20-station (10 FM and 10 AM) preset capability**
 - Seek /Manual tuning.
 - Auto preset tuning.
- Active Hyper-Bass circuit for low-frequency sound reproduction and 2-way speakers for superior sound (PC-XC50)**
Multi-Bass Horn circuit for low-frequency sound reproduction and full-range speaker for superior sound (PC-XC30)
- Timer/Clock function**

SPECIFICATIONS

Compact disc player section

Type	: Compact disc player
Signal detection system	: Non-contact optical pickup (semiconductor laser)
Number of channels	: 2 channels (stereo)
Frequency response	: 20 Hz - 20,000 Hz
Signal-to-noise ratio	: 86 dB (PC-XC50) 76 dB (PC-XC30)
Wow & flutter	: Less than measurable limit

Radio section

Frequency range	: FM 87.5 - 108 MHz AM 530 - 1,710 kHz
Antennas	: Telescopic antenna for FM Ferrite core antenna for AM

Tape deck section

Track system	: 4-track 2-channel stereo
Motor	: Electronic governor DC motor for capstan
Heads	: Deck A; Hard permalloy head for recording/playback, 2 gap permalloy head for erasure Deck B; Hard permalloy head for playback
Frequency response	: 63 - 12,500 Hz (with normal tape)
Wow & flutter	: 0.15 % (WRMS)
Fast wind time	: Approx. 120 sec. (C-60 cassette)

General

Power output	: 6 watts per channel, min RMS, at 8 ohms from 70 Hz to 15 kHz with no more than 10 % total harmonic distortion (PC-XC50J) Max. 20 W (10 W + 10 W) at 8 Ω (PC-XC50C) 4.2 watts per channel, min RMS, at 3 ohms from 80 Hz to 15 kHz with no more than 10 % total harmonic distortion (PC-XC30J) Max. 15 W (7.5 W + 7.5 W) at 3 Ω (PC-XC30C)
--------------	--

Output terminals	: PHONES x 1 (Output level: 0 - 12 mW/32 Ω, Matching impedance: 16 Ω - 1 kΩ)
Power supply	: AC 120 V, 60 Hz DC 12-V ("D" cells x 8)
Power consumption	: (with POWER SW ON) 35 W (PC-XC50J) 36 W (PC-XC50C) 28 W (PC-XC30) (with POWER SW STANDBY) 3.0 W
Dimensions	: 668(W) x 271(H) x 276(D) mm (26-5/16" x 10-11/16" x 10-15/16") including knobs
Weight	: (with batteries) 9.9 kg (21.9 lbs) (PC-XC50) 9.7 kg (21.4 lbs) (PC-XC30) (without batteries) 9.1 kg (20.1 lbs) (PC-XC50) 8.9 kg (19.7 lbs) (PC-XC30)
Accessories provided	: AC power cord x 1 Remote control unit (RM-RXC50 or RXC30) x 1 Battery "AA" x 2 (for the remote control)

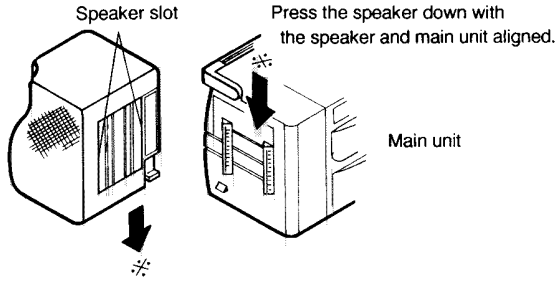
Speaker Section (each unit)

Speakers	: 10 cm (3-15/16") x 1, 2 cm (13/16") x 1 (PC-XC50) 10 cm (3-15/16") x 1 (PC-XC30)
Impedance	: 8 Ω (PC-XC50) 3 Ω (PC-XC30)
Dimensions	: 183 (W) x 265 (H) x 239 (D) mm (7-1/4" x 10-7/16" x 9-7/16") (PC-XC50) 183 (W) x 265 (H) x 243 (D) mm (7-1/4" x 10-7/16" x 9-5/8") (PC-XC30)
Weight	: Approx. 1.8 kg (4.0 lbs) (PC-XC50) Approx. 1.7 kg (3.8 lbs) (PC-XC30)

Design and specifications are subject to change without notice.

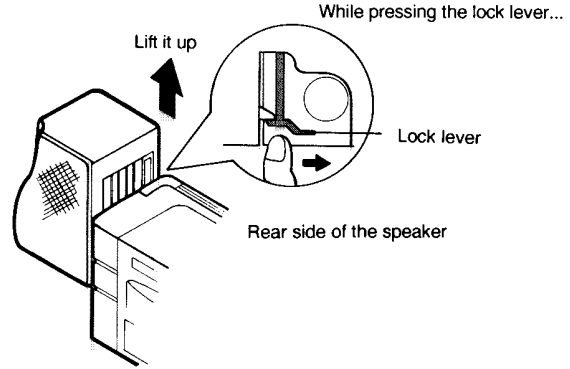
ATTACHING/DETACHING THE SPEAKERS

When using the speakers attached to the main unit
 Hold with the bottom of the speaker against the top of the main unit and press down on the speaker to attach it.



When using the speakers detached from the main unit

Lift the speaker up to detach from the main unit by pressing the lock lever at the rear bottom of speaker in the direction of the arrow.



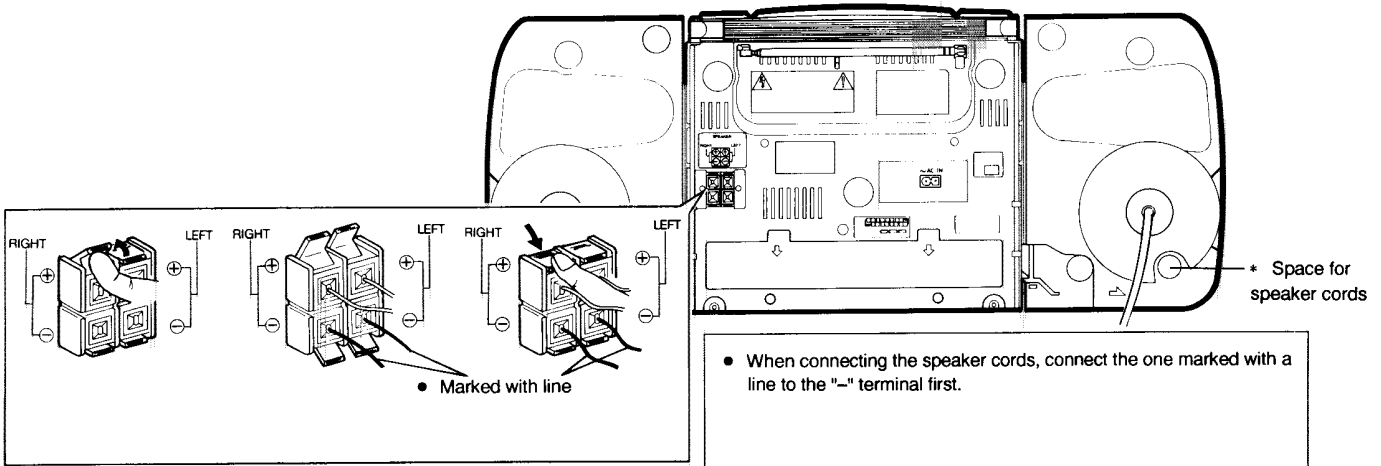
Note:

Since the speakers sound differently according to where they are placed, carefully place them for optimal effect within the length of the provided speaker cords. It is recommended that the left and right speakers be placed symmetrically in relation to the main unit.

CONNECTIONS

- Do not switch the power on until all the connections are completed.

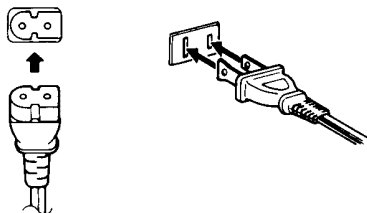
- After connecting the speaker cords, bundle any slack into the space for the speaker cords in the rear panel.



POWER SUPPLY

A. Operation on household AC

- Connect the AC power cord.



- The provided AC power cord for this unit has certain one-way direction connections to prevent electric shock. Refer to the illustration for correct connection. (PC-XC50J/XC30J).

CAUTIONS:

- ONLY USE WITH JVC POWER CORD PROVIDED WITH THIS UNIT TO AVOID MALFUNCTION OR DAMAGE TO THE UNIT. REMOVE BATTERIES WHEN USING THE POWER CORD.
- BE SURE TO UNPLUG THE POWER CORD FROM THE OUTLET WHEN GOING OUT OR WHEN THE UNIT IS NOT IN USE FOR AN EXTENDED PERIOD OF TIME.

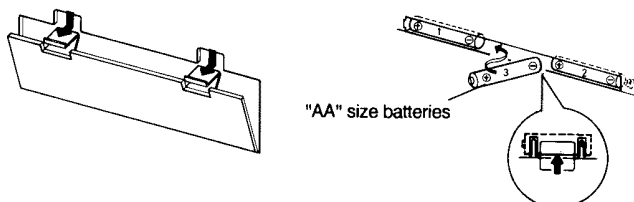
B. Batteries for memory back-up system

Batteries for timer/microprocessor memory

It is recommended that batteries are loaded to prevent the microprocessor memory and timer from being erased when there is a power failure, or when the AC power cord is disconnected.

- **Loading batteries**

Load three "AA" size batteries (optional) into the battery compartment.



- When removing the batteries, push from the bottom as shown by the arrow.

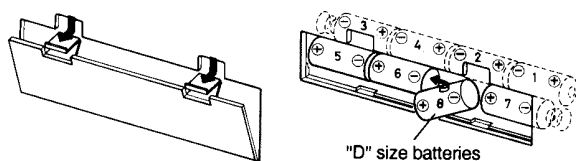
Notes:

- The three "AA" size batteries supply the power to the memory back-up system which prevents the contents of memory being lost when there is a power failure, or the AC power cord is disconnected. Battery power is not consumed when the AC power cord is connected to the household AC outlet.
(When the memory function is activated, the time is not displayed to reduce the power consumption.)
- When the AC power cord is not connected, the batteries should be replaced with new ones approximately every three months. (Connect the AC power cord when replacing batteries in order to backup the memory. However, be sure to switch the power of main unit OFF.)


C. Operation on batteries

- **Loading batteries**

1. Open the battery cover by pulling it toward you while pressing the sections marked by the arrows.
2. Insert 8 "D" size batteries as shown in the diagram.
* Be careful to insert the batteries with the ⊕ and ⊖ terminals positioned correctly.
3. Replace the cover.



Battery replacement

When the battery () indicator lights during battery operation, the batteries are nearly exhausted and should be replaced. (When the battery indicator stays lit for approx. one minute, the unit is switched off.)

- **When loading or unloading the batteries, be sure to switch the power off in DISC CONTROL 1 position to prevent changer malfunction. (When EXTRA CD is used, unload the disc). (See page 22.)**
- When making an important recording, use new batteries (preferably alkaline batteries with a longer service life) to avoid any possible failure.

- For better battery usage
Continuous operation of the unit causes the battery power to be consumed quicker than noncontinuous operation.
Operation of the unit in a cold place causes the battery power to be consumed more quickly than in a warm place.

CAUTIONS:

- **WHEN NOT USING THE UNIT FOR A LONG TIME (MORE THAN TWO WEEKS) OR WHEN ALWAYS USING HOUSEHOLD AC, REMOVE THE BATTERIES TO AVOID A MALFUNCTION OR DAMAGE TO THE UNIT.**
- **WHEN THE JVC POWER CORD PROVIDED WITH THIS UNIT IS CONNECTED, THE POWER IS AUTOMATICALLY SWITCHED FROM THE BATTERIES TO THE HOUSEHOLD AC EVEN WHEN THE BATTERIES ARE LOADED. HOWEVER, REMOVE THE BATTERIES WHEN USING THE POWER CORD.**

CAUTIONS WHEN USING BATTERIES

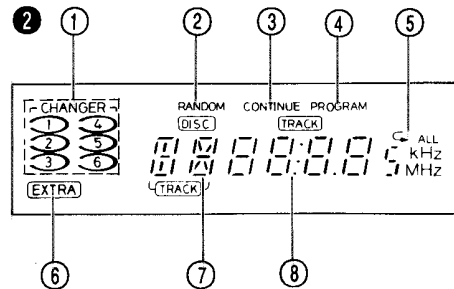
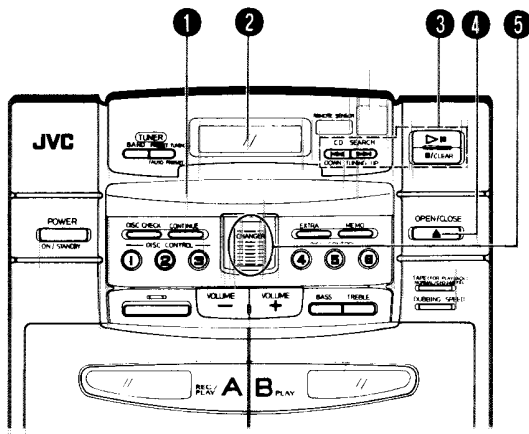
When batteries are used incorrectly, it may result in the leakage of chemicals from the batteries or they may explode. The following care should be taken;

- Check that the positive (+) and negative (-) terminals of the batteries are positioned correctly and load them as shown in the diagram.
- Do not mix new and old batteries together, or mix different types of batteries.
- Do not try to recharge non-rechargeable batteries.
- Remove the batteries when the unit is not to be used for an extended period of time.

If chemicals from the batteries come in contact with your skin, wash them off immediately with water. If chemicals leak onto the unit, clean the unit completely.

NAMES OF PARTS AND THEIR FUNCTIONS

CD changer section



- 1 CD tray
- 2 Display window (The display is backlit when AC power is supplied. (PC-XC50 only))
 - 1 Disc mark display
 - 2 RANDOM playback indicator
 - 3 CONTINUE playback indicator
 - 4 PROGRAM mode indicator
 - 5 Repeat playback indicator
 - 6 EXTRA CD mode indicator
 - 7 Function/Disc number/Track number display
 - 8 Track number/Playback time display
- 3 CD operation buttons

Play/pause button (▶||) :

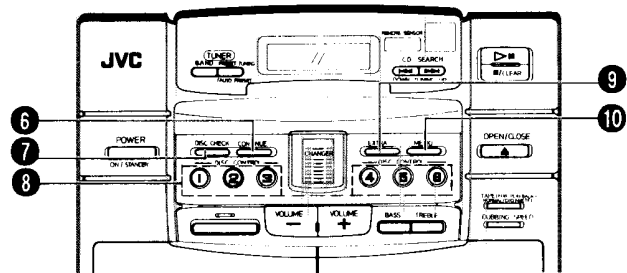
Press to play a disc or to stop temporarily.

Stop/CLEAR button (■/CLEAR) :

Press to stop playing a disc or cancel programmed playback. This also sets CD mode.

CD SEARCH buttons (◀◀, ▶▶) :

Press to locate the beginning of tunes and to start forward/reverse search operations.

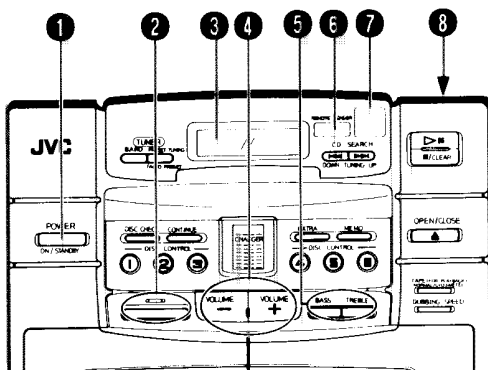


- 4 CD tray (▲) OPEN/CLOSE button
- 5 Disc mode indicators (PC-XC50 only)

When CD changer is used, the six red indicators light.

When EXTRA CD is used, one green indicator lights.
- 6 CONTINUE playback button
- 7 DISC CHECK button
- 8 DISC CONTROL buttons (No. 1 to No. 6)
- 9 EXTRA disc button
- 10 Memorandum (MEMO) button

General section



- 1 POWER (ON/STANDBY) button
- 2 Active Hyper-Bass button and indicator (PC-XC50)
MULTI-BASS HORN button and indicator (PC-XC30)
- 3 Display window

Volume (VOL) level indicator

BASS/Treble (TRE) level indicator

Battery indicator ()
- 4 VOLUME buttons

+: Use to increase the volume

-: Use to decrease the volume

(control range from VOL 0 to VOL 25)
- 5 BASS/TREBLE buttons
- 6 REMOTE SENSOR section
- 7 POWER indicators (PC-XC50)

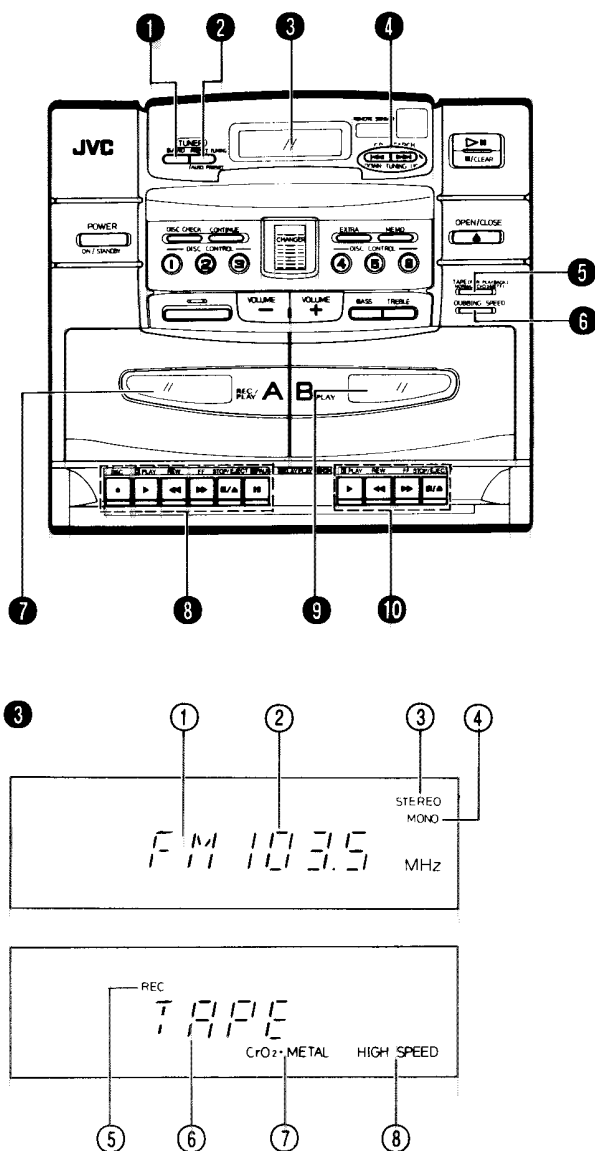
GREEN: POWER ON

RED : STANDBY

POWER ON indicator (PC-XC30)
- 8 Headphones jack (PHONES) (3.5 mm dia. stereo mini)

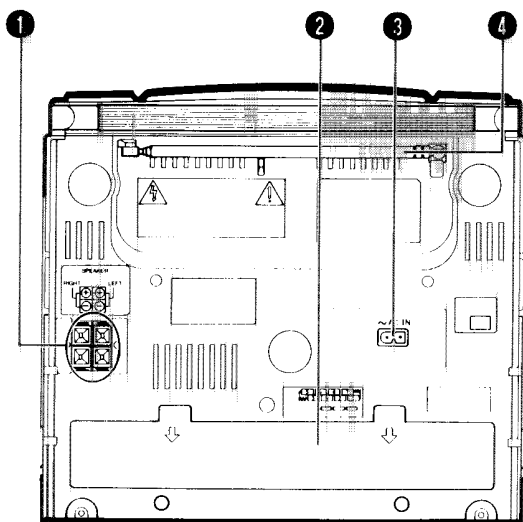
Connect headphones (impedance 16Ω to 1kΩ) to this jack. The speakers are automatically switched off when the headphones are connected.

Tuner/Deck section



- 1 TUNER/BAND button
Press to select tuner mode.
Press to select the band (FM/AM).
- 2 PRESET TUNING button
AUTO PRESET button
- 3 Display window
 - 1 Band indicator (FM/AM)
 - 2 Radio frequency display
 - 3 STEREO indicator
 - 4 MONO indicator
 - 5 Recording indicator (REC)
 - 6 Tape (TAPE) mode display
 - 7 CrO₂-METAL tape indicator
 - 8 HIGH SPEED indicator
- 4 TUNING buttons (UP/DOWN)
- 5 TAPE (FOR PLAYBACK) switch
Set this switch according to the type of tape to be used.
 - Normal tape: (The CrO₂-METAL tape indicator goes out.)
Set to this position to listen to a normal (type I) tape.
 - CrO₂-Metal tape: (playback only) (The CrO₂-METAL indicator lights.)
Set to this position to listen to a chrome (type II) or metal (type IV) tape.
- 6 DUBBING SPEED switch
 - High speed: (The HIGH SPEED indicator lights.)
Set to this position when dubbing at high speed.
 - Normal speed: (The HIGH SPEED indicator goes out.)
Set to this position when dubbing at normal speed.
- 7 Cassette holder (Deck A)
- 8 Cassette operation buttons (Deck A)
 - REC : Press this button with the ►PLAY button to start recording.
 - PLAY : Press to play the tape.
 - ◄◄ REW : Press to rewind the tape rapidly.
 - FF : Press to wind the tape forward rapidly.
 - /▲ STOP/EJECT : Press to stop the tape. Pressing this button when the tape has stopped opens the cassette holder.
 - || PAUSE : Press to stop the tape temporarily. Press again to release the pause mode.
- 9 Cassette holder (Deck B)
- 10 Cassette operation buttons (Deck B)
 - PLAY : Press to play the tape.
 - ◄◄ REW : Press to rewind the tape rapidly.
 - FF : Press to wind the tape forward rapidly.
 - /▲ STOP/EJECT : Press to stop the tape. Pressing this button when the tape has stopped opens the cassette holder.

Rear panel



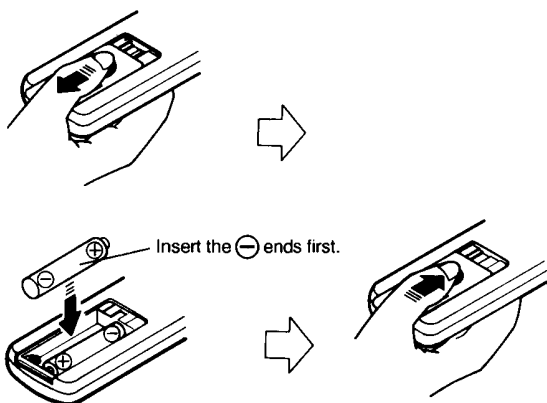
Rear panel

- 1 SPEAKER terminals
Connect the provided speakers to these terminals.
- 2 Battery compartment cover
- 3 AC IN (AC input) jack
- 4 Telescopic antenna

REMOTE CONTROL UNIT

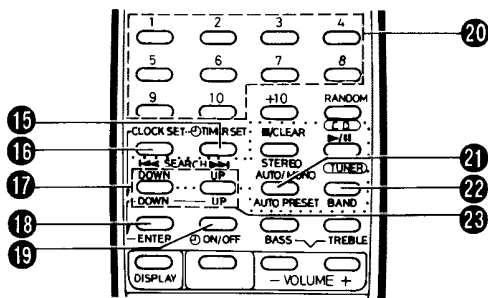
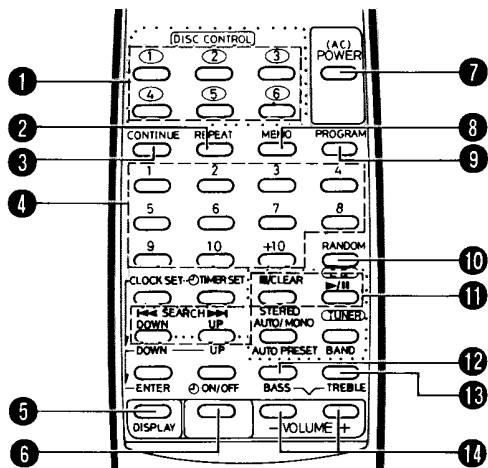
Preparation before use

- **Installing batteries in the remote control unit**
- 1. Remove the battery cover from the back of the remote control unit.
- 2. Insert two "AA" size batteries.
 - Insert the batteries with the ⊕ and ⊖ terminals matching the indication inside the battery compartment.



The following operations can be performed using the remote control unit.

- Check the functions of the operation buttons carefully and operate them correctly.



3. Replace the cover.

- **Battery replacement**

When the remote control operation becomes unstable or the distance from which remote control is possible becomes shorter, replace the batteries with new ones.

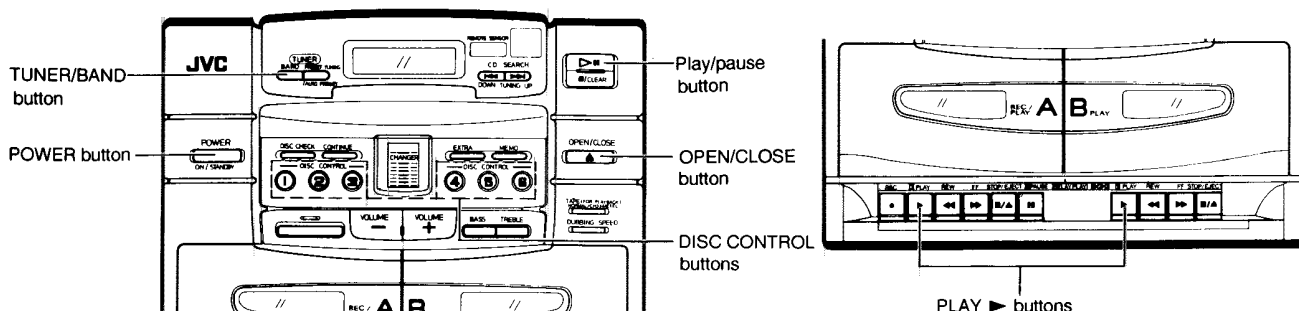
Using the remote control unit

To use the remote control unit, point it at the REMOTE SENSOR and press the buttons gently and firmly. Remote control operation is possible within about 7 m (approx. 23 ft). However, since the remote control range is less when the unit is used at an angle, use directly in front of the REMOTE SENSOR, as far much possible.

Do not expose the REMOTE SENSOR to strong light (direct sunlight or artificial lighting) and make sure that there are no obstacles between the REMOTE SENSOR and the remote control unit.

- 1 DISC CONTROL buttons (No.1 to No.6)
- 2 REPEAT button
- 3 CONTINUE playback button
- 4 Track (tune) number buttons (No.1 to No.10, +10)
- 5 DISPLAY button
- 6 ACTIVE HYPER-BASS button (PC-XC50)
MULTI-BASS HORN button (PC-XC30)
- 7 POWER (AC) button
 - When power is supplied from the batteries, even when the button is pressed, the main unit will not be switched on. Switch on the POWER button of the main unit first, then perform operations.
- 8 MEMO button
- 9 PROGRAM button
- 10 RANDOM button
- 11 CD operation buttons
 CD ▶/|| : CD mode/play/pause button
 ■/CLEAR : stop/clear button
 SEARCH ◀▶ : To scan to the beginning of a tune and to start forward or reverse search.
- 12 BASS button
- 13 TREBLE button
- 14 VOLUME buttons (+, -)
- 15 (⌚) TIMER SET button
- 16 CLOCK SET button
- 17 UP and DOWN buttons
- 18 ENTER button
- 19 Timer (⌚) ON/OFF button
- 20 Preset station buttons (No. 1 to No. 10)
- 21 STEREO AUTO/MONO button
- 22 TUNER/BAND button
- 23 Tuning (UP and DOWN) buttons

SWITCHING THE POWER ON/OFF



Switching the power on/off

● Switching on:

PC-XC50 POWER ON

● Conexión
 The green indicator lights.

PC-XC30 POWER ON

The red indicator lights.

● Switching off:

PC-XC50 STANDBY

● Desconexión
 The red indicator lights. (The indicator does not light when DC power is supplied.)

PC-XC30 POWER ON

The red indicator goes out.

COMPU PLAY (only when AC power is used)

Even when the power is set to STANDBY, pressing the button shown below switches on the power and selects the source.

	Function mode	Operations
 	CD	When this button is pressed with a CD loaded, CD playback begins.
(Deck A) or (Deck B)	TAPE	When this button is pressed with a tape loaded, tape playback begins.
	TUNER	When this button is pressed, the tuner is engaged

When the CD tray OPEN/CLOSE (▲) button is pressed, the source sound does not switch over, the CD tray can open or close.

When the timer display (Ⓢ) is shown, the power of this unit is not switched on even when the PLAY ► button of deck is pressed.

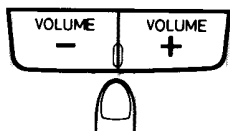
Notes:

1. When switching off the power, be sure to press the power button.
2. The COMPU PLAY button on the remote control has the same function as the main unit.
3. When the CD tray opens and the Play/pause (▷||) button is pressed, the CD tray closes and the CD play starts.

VOLUME, TONE AND OTHER CONTROLS

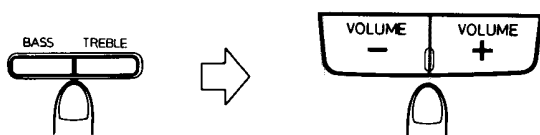
VOLUME button

- + : Use to increase the volume.
 - : Use to decrease the volume.
- (control range from VOL 0 to VOL 25)



BASS/TREBLE button

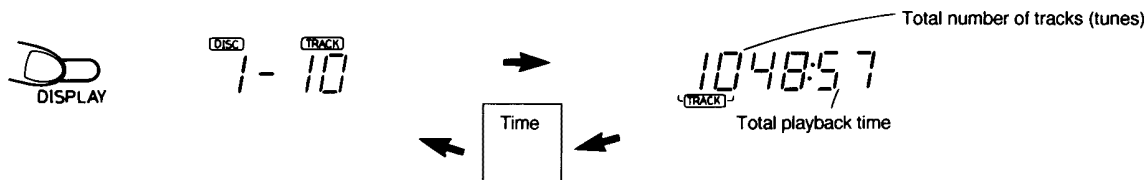
To set the bass or treble level, press the corresponding button and adjust it using the VOLUME buttons. The level setting ranges are from -6 to 6.



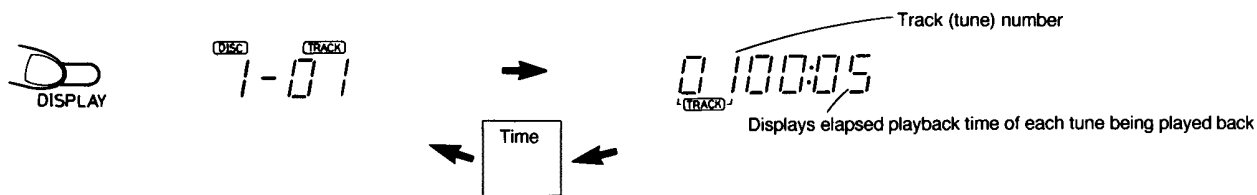
DISPLAY button (Using the remote control unit)

Use this button to switch between the function and time display.

- When using the tuner, press this button to display the tuned frequency and the time.
- When using a tape, press this button to show "TAPE" and the time.
- When using CD mode,
 1. The display shows the following when CDs are not rotated with this button pressed:



2. The display shows the following when the CDs are played with this button pressed:



ACTIVE HYPER-BASS button (PC-XC50)

- ON : The Active Hyper-Bass indicator lights. Set to this position when listening to Active Hyper-Bass sound.
- OFF : The Active Hyper-Bass indicator goes out. Set to this position when Active Hyper-Bass sound is not required.

MULTI-BASS HORN button (PC-XC30)

- ON : The MULTI-BASS HORN indicator lights. Set to this position when listening to MULTI-BASS HORN sound.
- OFF : The MULTI-BASS HORN indicator goes out. Set to this position when MULTI-BASS HORN sound is not required.

CONCERNING COMPACT DISCS

Since dirty, damaged and warped discs may damage the unit, care should be taken of the following:

1. Usable compact discs

Use compact discs with the mark shown.

2. Notes on handling discs

- Do not touch the reflective recorded surface.
- Do not stick anything to or write anything on the label side.
- Do not bend compact discs.

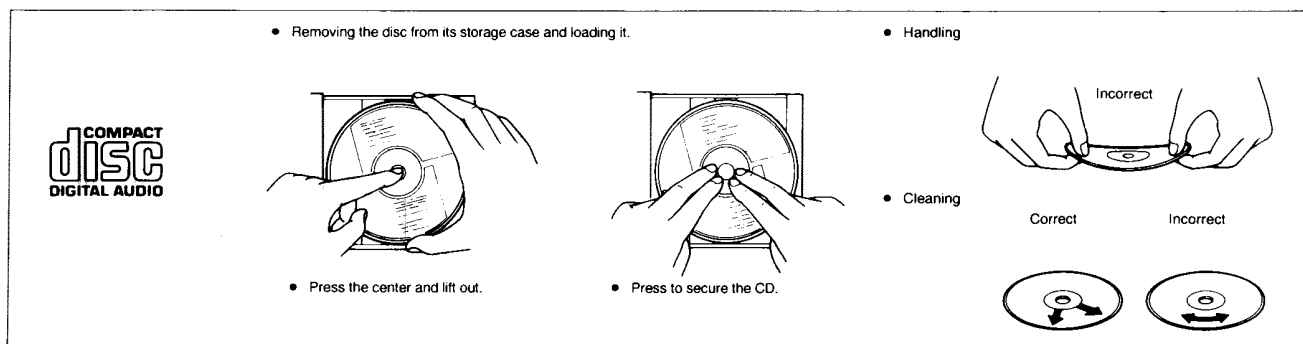
3. Storage

- After removing a disc from the unit, be sure to put it back in its case.
- Do not expose discs to direct sunlight, high temperatures from a heater, etc., high humidity, or dust.

4. Cleaning discs

Before loading a disc, wipe off any dust, dirt or fingerprints with a soft cloth. Discs should be cleaned by wiping radially, from the center to the edge.

- **Never use thinner, benzine, record cleaner or antistatic spray.**



PLAYING COMPACT DISCS

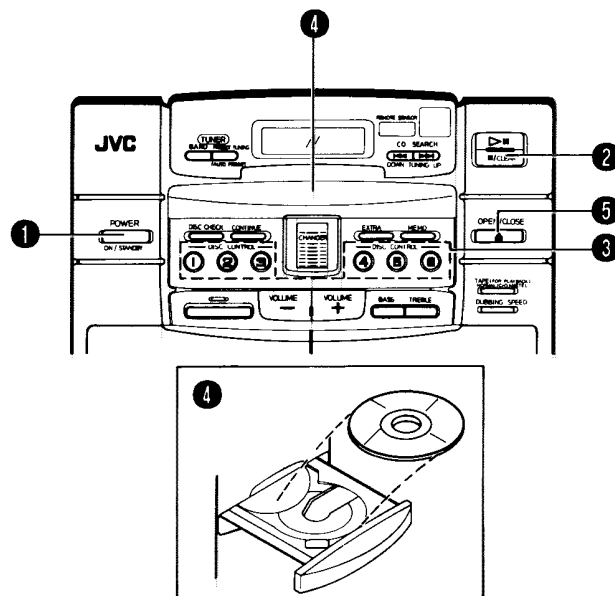


- When this unit is used for the first time (or not used for an extended period of time with an AC power cord disconnected) and the POWER switch is turned ON, CD changer mode is engaged. Disc check operation starts automatically to check if a disc is in the disc holder. (The source sound cannot be heard during disc check operation.)
- This unit can be used in two different modes.
 - 1) In CD changer mode, it is possible to load up to six 12 cm (5") CDs in the disc holder. Various kinds of CD play can be performed.
 - 2) In EXTRA mode, when 6 CDs are loaded in the disc changer section, a CD can be played without using the changer section.
- 8 cm (3-3/16") CDs
 - 1) 8 cm (3-3/16") CDs can be used in this unit. (Do not use a CD adapter, as it may cause a malfunction.)
 - 2) When an 8 cm CD is loaded, the CD changer cannot be operated. When the DISC CONTROL button is pressed, the CD tray opens for disc unloading.

CD changer operation

Operate in the order shown

- Loading Discs



- 1 Set the POWER button to ON.
- 2 Press the CLEAR button to set CD mode.
- 3 Press the required DISC CONTROL button (No. 1 to No. 6) and the CD tray opens.
- 4 Load a disc with the label side facing up.
- 5 Press the OPEN/CLOSE button to close the CD tray. (The mark which shows that the disc is loaded is shown in the display.)
 - Repeat procedures 3 to 5 to load the other discs.

Notes:

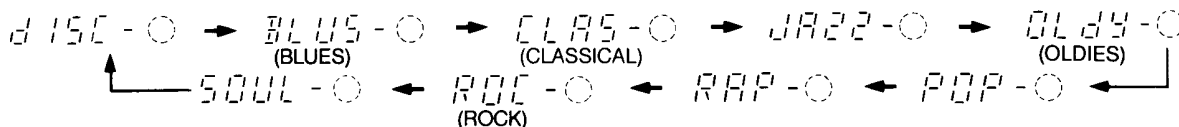
- When loading discs, be sure to place them correctly on the tray to prevent a malfunction.
- When an "Error" is displayed, press the ▲ OPEN/CLOSE button to erase the error message and perform the operation again.

Memorandum (MEMO) button

The type of music on the loaded CDs (in the CD changer) can be stored using this button. Each time the MEMO button is pressed, the display changes as follows:



Memorandum (MEMO) button



- 1 Press the DISC CONTROL button (No. 1 to No. 6) corresponding to the specified disc.
- 2 After CD play starts, select the correct type of music.

• Unloading Discs

- 1 Press the required DISC CONTROL button of the disc to be unloaded.
- 2 Press the ▲ OPEN/CLOSE button to open the CD tray and unload the disc.
 - Repeat procedures 1 and 2 to unload the other discs.

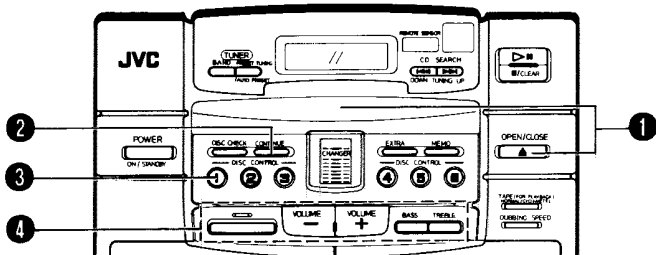
- 3 Press the MEMO button to select the type of music corresponding to the disc music.
 - After a short period, when the display changes, setting is completed.
 - Repeat procedures 1 to 3 to specify the other discs.

DISC CHECK button

Check the type of music on the loaded CDs (in the CD changer) using this button. When the DISC CHECK button is pressed, the type of music is shown in sequence.

Continuous play

How to play all tracks
Operate in the order shown



- 1 Load the required disc into the disc holder of the CD changer. (See page 23.)
- 2 Press the CONTINUE button to set continuous playback mode.
- 3 Press the No. 1 DISC CONTROL button to start playback.
- 4 Adjust.
 - CD play starts from disc No.1 and continues till the last tune of the last disc in the disc holder.

To stop play

- **To stop in the middle of a disc**
During playback, press the ■/CLEAR button to stop play.



- **To stop a disc temporarily**
Press the ▷|| button to stop play temporarily and the indication blinks. When pressed again, play resumes from the point where it was paused.

Notes:

- The following indication may be shown when a disc is dirty or scratched, or when the disc is loaded upside down.
In such a case, check the disc and insert again after cleaning the disc or turning it over.



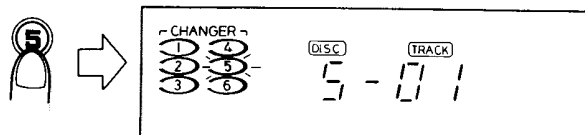
- When a scratched disc is played, the disc stops during playback and no sound can be heard.
- If mistracking occurs during play, lower the volume.
- Mistracking may occur if a strong shock is applied to the unit or if it is used in a place subject to vibrations (i.e. in a car travelling on a rough road).
- **Do not use the unit at excessive high or cold temperatures. The recommended temperature range is from 5°C (41°F) to 35°C (95°F).**

DISC CONTROL button

• Direct Disc Selection

Press the DISC CONTROL button (No.1 to No. 6) corresponding to the No. of the required disc.

Example: (to designate Disc 5)



The tracks on the designated disc are played in sequence.

- When the unit is in continuous playback mode, by pressing the CONTINUE button, the next disc will be played after the end of the disc being played.

Note:

- When "PROGRAM" is shown in the display and the direct select operation is performed, the CD cannot be played.

Skip playback

- During playback, it is possible to skip forward to the beginning of the next tune or back to the beginning of the tune being played or the previous tune; when the beginning of the required tune has been located, play starts automatically.

To listen to the next tune ...

Press the ►► button once to skip to the beginning of the next tune.

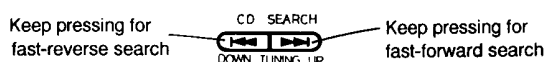
To listen to the previous tune ...

Press the ◀◀ button to skip to the beginning of the tune being played back and press again to skip to the beginning of the previous tune.

* When disc select and skip operations are performed in sequence, the required track from a required disc can be selected.

Search playback (to locate the required position on the disc)

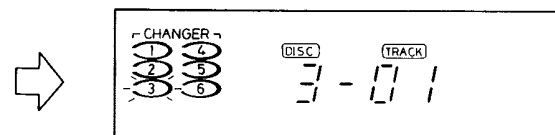
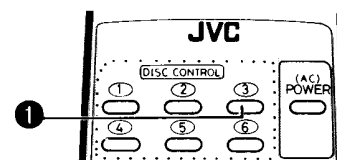
- The required position can be located using fast-forward or reverse search while playing a disc.



- Hold down the button; search play starts slowly and then gradually increases in speed.
- Since low-volume sound (at about one quarter of the normal level) can be heard in the search mode, monitor the sound and release the button when the required position is located.

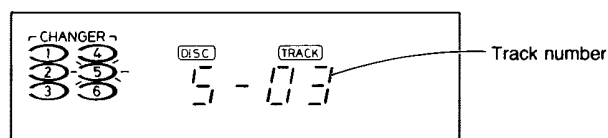
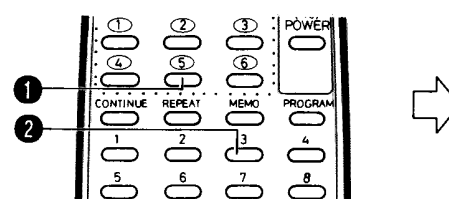
Direct access playback using the remote control

- Example 1 (to designate Disc 3)



- 1 Designate the required disc using the DISC CONTROL buttons (No. 1 to No. 6).
 - CD play starts.

- Example 2 (to designate the 3rd tune of Disc 5)



- 1 Designate the required disc using the DISC CONTROL buttons (No.1 to No. 6).
- 2 The track number is displayed and the required tune is selected using the TRACK button.
 - CD play starts.

- To designate tune numbers 1 to 10, press the track number button corresponding to the track (tune) number.
- To designate tune numbers 11 or higher, press the +10 button the required number of times, then the track number button. (Example; To designate the 20th tune, press the +10 button once, then press track number button 10.)

* +10 button:

Each time this button is pressed, the number increases by 10. First press this button to set the 10 digits, then press the track number button to set the 1 digits.

Repeat playback (Using the remote control unit)

Press the REPEAT button before or during play. It is possible to perform repeat playback of a single tune, all tunes on one disc, or all tunes on all discs in the disc changer.

Each time the REPEAT button is pressed, the mode will change from a single tune (↺), to all tunes (↺ ALL), to clear mode, in this order.



- **Single tune repeat (↔)**
The current or specified tune will be played repeatedly.
- **All tune repeat of one disc (↔ ALL)**
All tunes on the current or specified CD will be played repeatedly.
- **All tune repeat of all discs (↔ ALL. CONTINUE)**
When the CONTINUE button is pressed during "↔ ALL" mode, CD play starts from the current or specified tune and all tunes on all discs will be played repeatedly.

Random playback (Using the remote control unit)

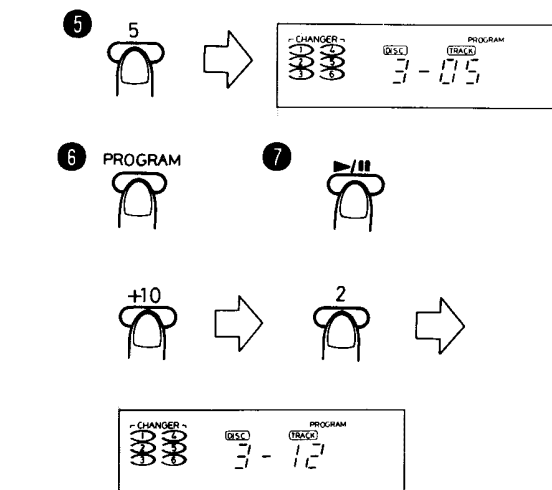
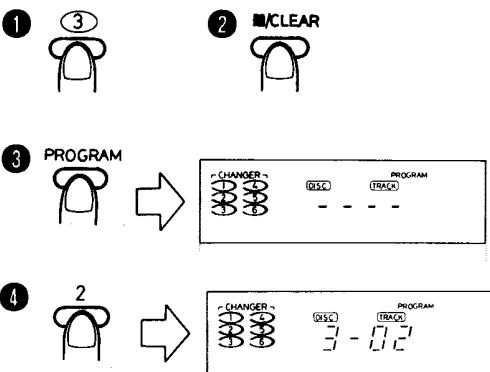
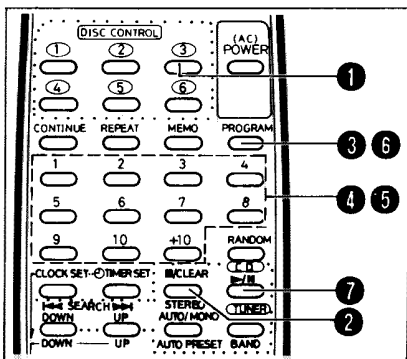
Press the RANDOM button before or during play. It is possible to perform random playback from one disc or all discs.

- **One disc random (RANDOM, ↔ ALL)**
Press the RANDOM button to randomly plays tracks on the current or specified disc, except in continuous mode.
- **All disc random (RANDOM, CONTINUE, ↔ ALL)**
Press the RANDOM button in continuous play mode to randomly selects and plays tracks from all of the discs in the CD changer.

Programmed playback (using the remote control)

- Up to 20 tunes can be programmed to be played in any required order from one disc or all discs in the holder.
- Example 1 (When programming from the 3rd disc, the 2nd tune to be played first, and the 5th tune next, then the 12th tune.)

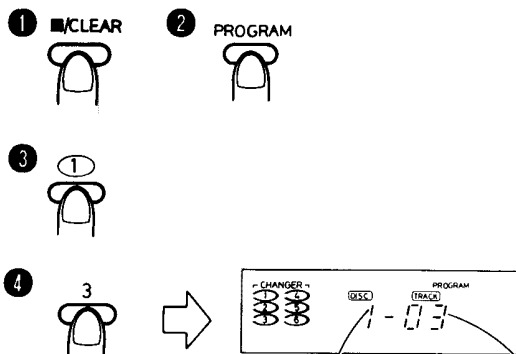
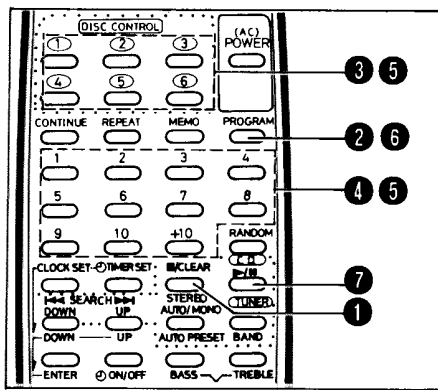
Example 1 (Disc containing more than 12 tunes)



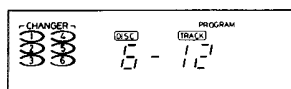
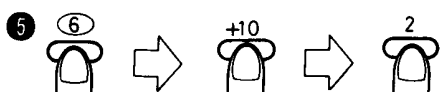
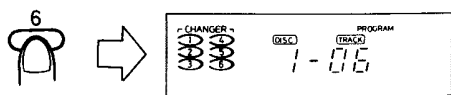
- 1 Press the No.3 DISC CONTROL button.
- 2 Press the CLEAR button.
- 3 Press the PROGRAM button to set programming mode.
- 4 Press to designate the required track number.
- 5 Designate the remaining tunes by pressing the track number buttons.
- 6 Press the PROGRAM button to confirm the details of the program.
 - Repeat from step 2 to readjust the program.
 - Repeat from step 1 to add to the program.
- 7 Press the PAUSE/STOP button when programming is completed. Programmed playback starts.

- Example 2 (With programming from more than 2 discs, the 3rd tune of disc 1 is to be played first, and the 6th tune of disc 1 next, then the 12th tune of disc 6.)

Example 2



Disc No. Track No.



- 1 Press the **■/CLEAR** button.
- 2 Press the **PROGRAM** button to set programming mode.
- 3 Designate the required disc using the **DISC CONTROL** buttons (No. 1 to No. 6).
- 4 Designate the required tune using the track buttons (No. 1 to No. 10, +10).
- 5 Repeat procedures 3 and 4 to designate the other tunes.
- 6 Press the **PROGRAM** button to confirm the details of the program.
 - Repeat from step 1 to readjust the program.
 - Repeat from step 3 to add to the program.
- 7 Press the **▶/||** button when programming is completed.

To confirm the details of a program...

Press the **PROGRAM** button in stop mode: the tunes making up the program will be displayed in programmed order.

To clear the programmed tunes ...

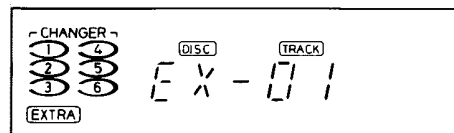
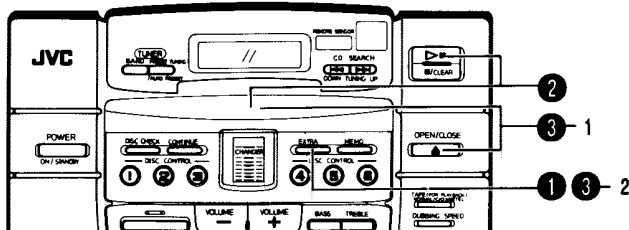
Press the **■/CLEAR** button before playing the disc. During programmed playback, press this button twice. When the CD tray is opened, the programmed tunes are cleared automatically.

Notes:

1. Programming 21 or more tunes is impossible.
2. When performing timer playback in the order of "Programmed play", do not press the **▶/||** button in the above procedure.

EXTRA-CD operations

When 6 discs are loaded in the CD changer of this unit, use this button to listen to the extra-CD.



- 1 Press the **EXTRA** button during CD mode and the CD tray opens.
- 2 Load a disc and press the **▶||** button.
- 3 Unload the disc after CD play has finished, by pressing the **▲ OPEN/CLOSE** button. Then, press the **EXTRA** button to switch back to CD changer mode.

Notes:

- When the **EXTRA-CD** is loaded, the CD changer cannot be used. When the **DISC CONTROL** button is pressed, the CD tray opens, so unload the disc.
- When "PROGRAM" is shown in the display, even if the **EXTRA** button is pressed, extra mode is not engaged. Clear the program mode and press the **EXTRA** button.

Repeat playback (Using the remote control unit)

Press the **REPEAT** button before or during play. A single tune or all tunes can be repeated.

- **Repeat playback of a single tune (↔)**
The tune being played back will be heard repeatedly.
- **Repeat playback of all tunes (↔ ALL)**
When playing back an entire disc or programmed tunes, all tunes or the programmed tunes will be heard repeatedly.

Random playback (Using the remote control unit)

Press the **RANDOM** button, tunes on the disc are played, in random order.

Skip, Search and Programmed playback

Refer to the CD changer section for these operations.

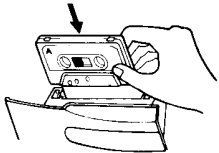
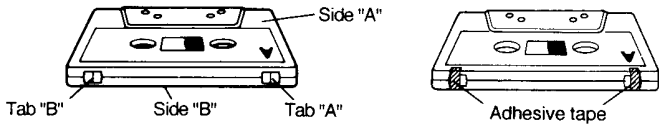
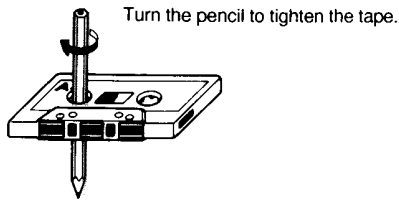
CASSETTE TAPE

Cassette tape

1. Loose tape may cause trouble. With a pencil, gently tighten the tape as shown.
2. To prevent recordings from being erased accidentally, remove the tab(s) with a screwdriver. Reseal the slots with adhesive tape to erase and re-record after the tabs have been broken off.

Cassette loading

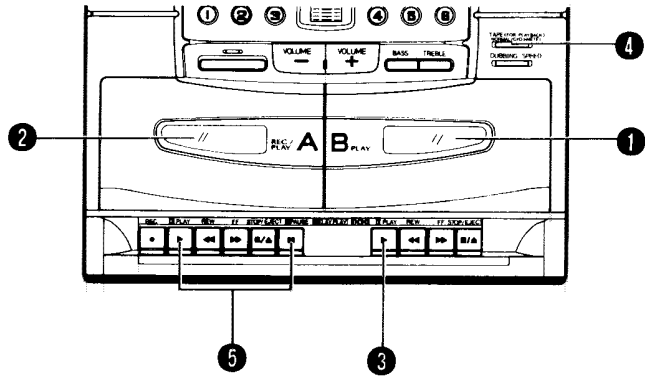
1. Press the **STOP/EJECT (■/▲)** button to open the cassette holder.
2. Load a cassette as shown.
3. Close the cassette holder by pressing it gently. Listen for the click that tells you that you've closed the holder securely.



RELAY PLAYBACK



(From Deck B to Deck A)
Operate in the order shown



- 1 Load a cassette tape in Deck B.
- 2 Load a cassette tape in Deck A.
- 3 Press the ► PLAY button on Deck B.
- 4 Set the TAPE switch as required.
- 5 Set Deck A to the play-pause mode.

* When Deck B stops, Deck A's pause mode will be released and it will start playback. When Deck A stops automatically, relay playback will be released.

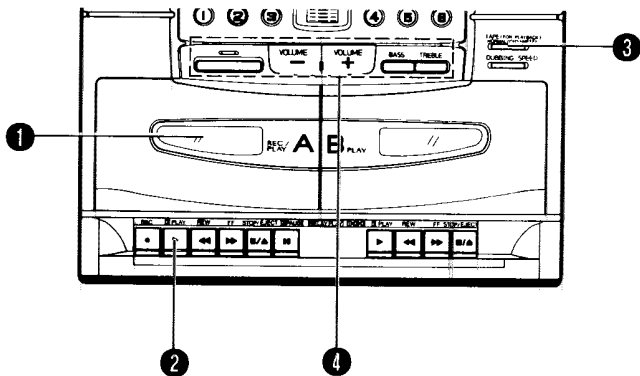
Notes:

1. Use the same type of tape in Decks A and B during this mode.
2. When battery power is used, switch on the POWER button first, then perform operations.

CASSETTE PLAYBACK



(The example shows Deck A)
Operate in the order shown



- 1 Load a cassette tape in Deck A.
- 2 Press to start playback. (The power is switched on, TAPE mode is engaged and tape playback starts.)
 - When battery power is used, switch on the POWER button first, then perform operations.
- 3 Set the TAPE switch as required.
- 4 Adjust.

• Playback in Deck B

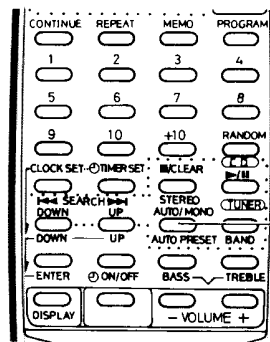
The previous procedures 2 through 4 also apply to Deck B when a cassette is loaded in Deck B. When Decks A and B are simultaneously set to the play mode, only the playback sound of Deck B is heard.

Notes:

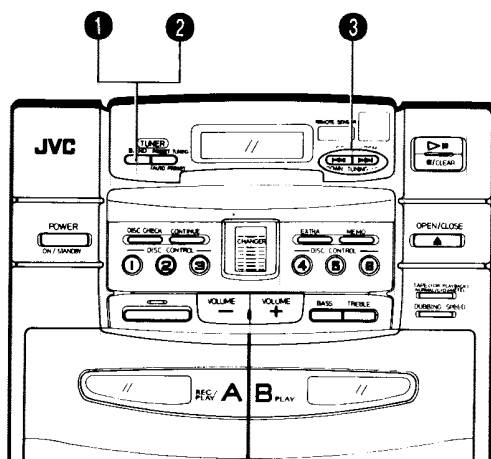
1. When the power is turned off while the tape is still running, cassette operation buttons which are depressed do not return to the original positions. Press the ■/▲ STOP/EJECT button to stop the tape running before turning off the power.
2. Avoid operating the FF or REW button on the deck during playback of the other deck.
3. When switching to tape playback while playing a CD, tape sound will be heard after a few seconds.

RADIO RECEPTION

Operate in the order shown



STEREO AUTO/MONO button.



- 1 Press the TUNER/BAND button.
 - The power is switched on and a band and radio frequency will be shown in the display.
 - When battery power is used, switch on the POWER button first, then perform operations.
- 2 Select the band (FM or AM).
- 3 Tune to the required station.

STEREO AUTO/MONO button

Auto mode:

Set to this position when listening to or recording an FM stereo broadcast. The STEREO indicator lights when the FM stereo broadcast is received.

MONO:

Set to this position when FM stereo reception is noisy. When another station is tuned to in the MONO mode using the TUNING UP/DOWN or AUTO PRESET button, the unit automatically enters Auto mode.

• Seek tuning

Press the UP or DOWN button for one second or more; the unit enters the seek tuning mode and tunes to higher or lower frequencies, and when the broadcast is received, it stops tuning automatically and the broadcast can be heard.

• Manual tuning

Each time the UP or DOWN button is pressed, the unit steps through the current frequency band. Tuning is in steps of 100 kHz for FM and 10 kHz for AM.



Notes:

- When switching to tuner mode while playing a CD, tuner sound will be heard after a few seconds.
- When seek tuning to the required station is not possible because it is broadcasting too weak a signal, press the UP or DOWN button momentarily to perform manual tuning.
- When the power is set to STANDBY, or another mode (TAPE or CD) is selected, the last tuned frequency is stored in memory. When the power is switched on again and TUNER/BAND button is pressed, the same station will be heard.

Auto preset tuning

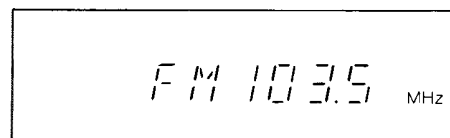
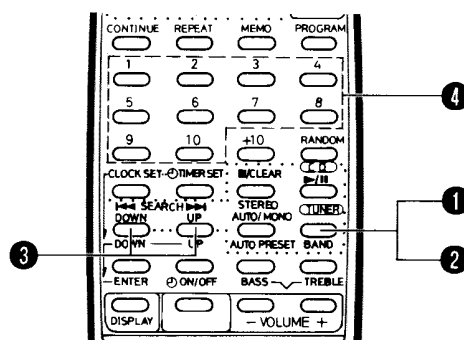
This function scans the current band (FM or AM), detecting frequencies used to broadcast signals, and stores the first 10 frequencies in memory automatically.

- Press the AUTO PRESET button for more than 2 seconds. The frequencies of stations broadcasting signals can be preset automatically in the order of increasing frequency. (10 stations in each band (FM and AM)).

Presetting stations (using the remote control unit)

10 stations in each band (FM and AM) can be preset as follows:

- Example (when presetting an FM station broadcasting at 103.5 MHz to preset button "10")



- 1 Press the TUNER/BAND button.
- 2 Select the FM band using the TUNER/BAND button.
- 3 Tune to the required station.
- 4 Press preset button "10" for more than 2 sec. (When "10" blinks in the preset station display, the station has been preset.)

- Repeat the above procedure for each of the other stations, using a different preset button each time.
- Repeat the above procedure for the AM band.

• To change preset stations

Perform step 1 above after tuning to the required station.

Notes:

- The previous preset station is erased when a new station is set as the new station's frequency replaces the previous frequency in memory.
- When listening to an AM broadcast, noise may be heard if the remote control is used.

Preset tuning

- The stations must be preset before this operation can be performed.

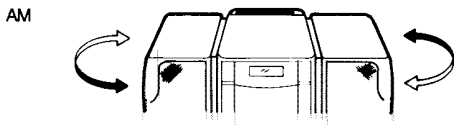
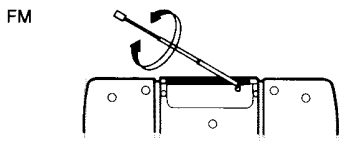
(Using the controls of the main unit)

- ① Press the TUNER/BAND button.
- ② Select the band (FM or AM) using the TUNER/BAND button.
- ③ Press the PRESET TUNING button to select the required preset station.

(using the remote control unit)

- ① Press the TUNER/BAND button
 - ② Select the band (FM or AM) using the TUNER/BAND button.
 - ③ Press the required preset station buttons (No.1 - No.10).
- The preset station number and frequency corresponding to the button pressed are shown.

Using the antennas



Note:

The built-in ferrite core antenna can pick up interference from television receivers in the neighborhood and thereby disturb AM reception.

RECORDING



- In recording, the ALC circuit automatically optimizes the recording level; adjustment of the recording level is unnecessary.
- Check that the safety tab on the cassette tape is not broken off.

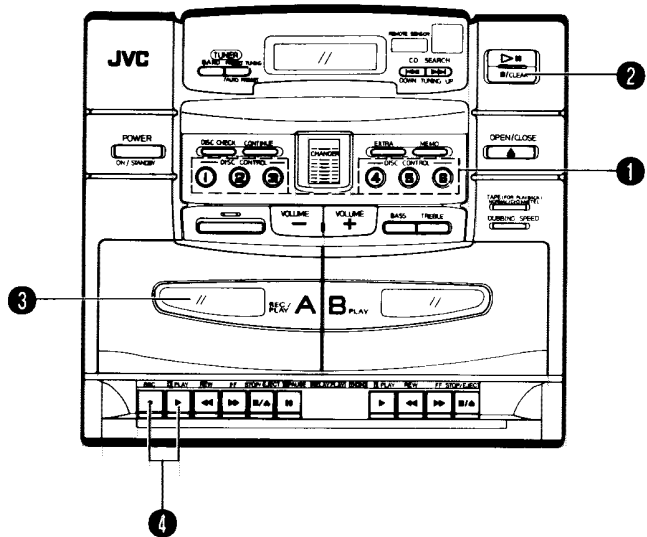
Note:

This unit has recording characteristics suitable for normal tapes. Normal tapes have different characteristics from CrO₂ and metal tapes.

Synchronized recording with the CD player

- In this system, the CD player starts playback when the cassette deck enters the recording mode.

**Operate in the order shown
(Recording from the CD changer)**



- ① Press the DISC CONTROL button corresponding to the disc to be recorded.
- ② Press the ■/CLEAR button to set stop mode.
- ③ Load a cassette in Deck A. (Wind past the leader tape before starting recording.)
 - When programmed playback is required, program the required tunes using the remote control. (See page 29.)
 - Select tunes with a total playing time which does not exceed the tape length.
- ④ Press the ○ REC and ► PLAY buttons together; synchronized recording will start.

- Non-recorded sections of approx. 4 seconds are automatically left between tunes.
- When the tape reaches the end first, the CD player stops automatically; when the CD player stops first, the tape continues running. In this case, press the ■/▲ STOP/EJECT button to stop the tape.

- During synchro recording, the ▷|| and SEARCH buttons do not function.

(Recording from the EXTRA-CD)

Load the EXTRA-CD and press the ■/CLEAR button to set stop mode, and press the ○ REC and ► PLAY buttons together.

• When automatic spacing between tunes is not required...

Perform the following after finishing the previous operation (① to ③).

- ① Press the ▷|| PLAY/PAUSE button of the CD player twice. The CD player enters the pause mode.
 - When the CD player is in the all repeat mode (↺ ALL), release the mode.
- ② Press the ○ REC and ►PLAY buttons simultaneously. Now, the CD player starts playback simultaneously.

Notes:

- Depending on the disc used, blanks of a specified length may be left between tunes.
- When synchro recording is performed using more than two discs, non-recorded sections of approx. 4 seconds are automatically left on the tape when changing the disc.

It should be noted that it may be unlawful to re-record pre-recorded tapes, records, or discs without the consent of the owner of copyright in the sound or video recording, broadcast or cable programme and in any literary, dramatic, musical, or artistic work embodied therein.

Erasing

When recording on a pre-recorded tape, the previous recording is automatically erased and only the new material can be heard when the tape is played.

To erase a tape without making a new recording...

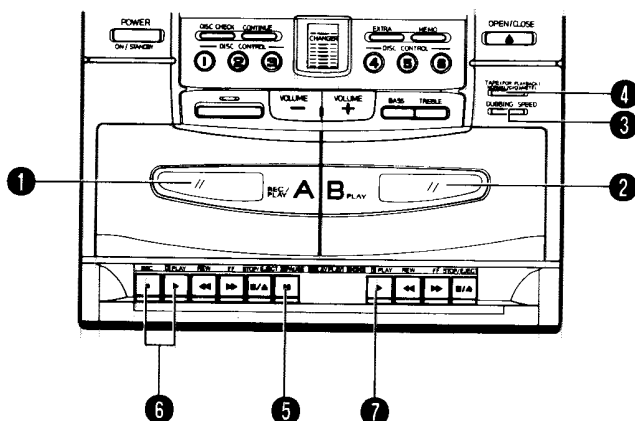
Press the ► PLAY button of the deck to set to the TAPE mode and press the ○ REC and ► PLAY buttons together after pressing the stop button.

DUBBING (SYNCHRO START DUBBING)



Normal and high-speed dubbing can be done from Deck B to Deck A.

Operate in the order shown



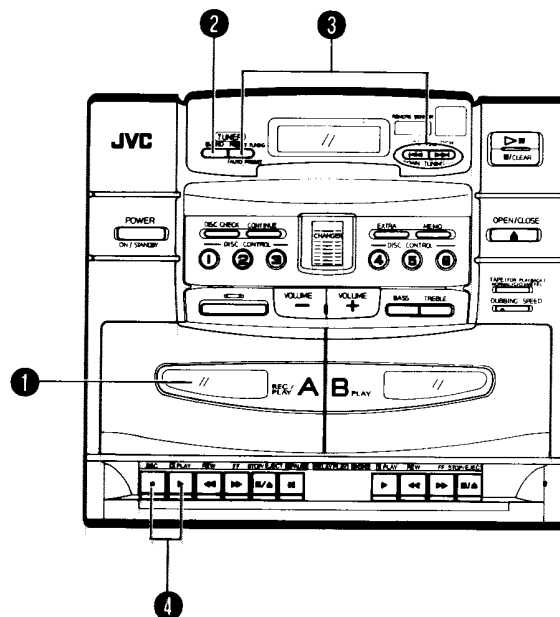
- 1 Load a cassette tape in Deck A. (Refer to the note on page 38.)
- 2 Load a pre-recorded cassette in Deck B.
 - Lightly press the ► PLAY button to set to TAPE mode. (The button should not be locked.)
- 3 Set to NORMAL SPEED or HIGH SPEED.
- 4 Set to correspond to the type of tape in Deck B.
- 5 Press the || PAUSE button.
- 6 Press the ○ REC button with the ► PLAY button. (Record-pause mode.)
- 7 Press the ► PLAY button. (Synchronized dubbing will start.)

Notes:

1. Television receivers placed close to this unit may cause interference on the recorded signal when this unit is used in the high-speed dubbing mode. If this happens, either turn off the television receiver or use the normal-speed dubbing mode.
2. With Deck A in the record-pause mode, the || PAUSE button is released when Deck B enters the stop mode.

Recording from the radio

Operate in the order shown



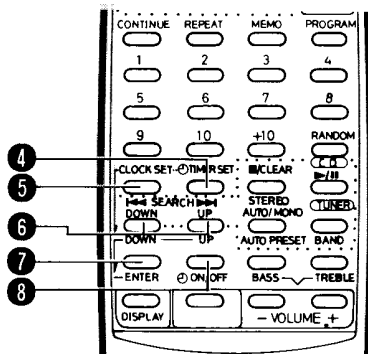
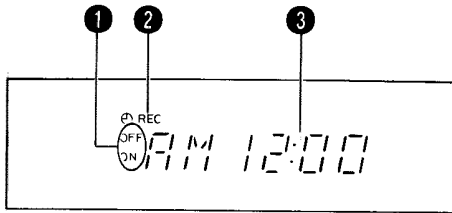
- 1 Load a cassette. (Deck A)
- 2 Press the TUNER/BAND button.
- 3 Tune to the required station.
- 4 Press the ○ REC button with the ► PLAY button.

- To stop recording temporarily, press the || PAUSE button. To resume recording, press the || PAUSE button again.

CLOCK/TIMER ADJUSTMENT

(Using the remote control)

Names of parts in the clock/time section, and their functions:



- ① Timer indicator (ON/OFF)
- ② Timer mode indicator
- ③ Time display
- ④ (T) TIMER SET button
- ⑤ CLOCK SET button
- ⑥ DOWN/UP buttons
- ⑦ ENTER button
- ⑧ Timer (T) ON/OFF button

Setting the current time (when the unit is used for the first time)

(Example: to set the clock to PM 1:15.)

- ① ②
- ③ Blinks
- ④ →
- ⑤

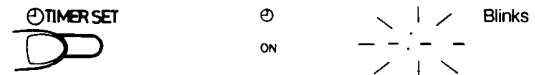
- ① Connect the AC power cord; "AM 12:00" will blink in the display.
- ② Set the POWER button to on.
 - CD changer mode is engaged. Disk check operation starts automatically to check if a disc is in the disc holder.
- ③ Press the CLOCK SET button.
- ④ Set to PM 1:15 by pressing the UP/DOWN buttons. (When the button is kept pressed, the minute/hour indication changes continuously.)
- ⑤ Press the ENTER button; the display returns to the previous mode.
 - Each time the hour's digits change from 11 to 12, the display alternates between AM and PM. (12 midnight is indicated as "AM 12:00 and 12 noon is indicated as "PM 12:00.)
 - To set to the nearest second... Press the ENTER button while you hear the time signal from a TV or radio.

Notes:

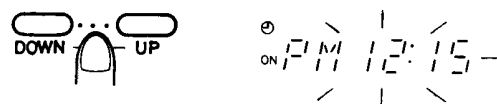
- Before performing timer recording or playback, it is necessary to set the current time.
- When the power cord is plugged in again after being disconnected or power is restored after a power failure, "AM 12:00" will blink in the display. Set the current time again.

Setting the timer

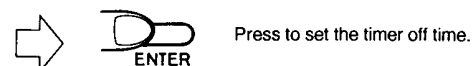
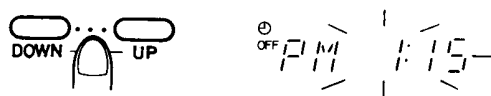
- The current time must be set before the timer can be used.
- ① Set the POWER button to on.
- ② Press the (T) TIMER SET button.



- ③ Set the timer start time. (Example: when the timer start time is set to PM 12:15.)



- ④ Set the timer stop time. (Example: when the timer stop time is set to PM 1:15.)



- The unit enter the previously engaged mode and timer setting is complete.

- **To check the timer setting**

1. Press the (⊖) TIMER SET.
2. Press the ENTER button to check the timer mode.
3. When the previous engaged mode is displayed, timer setting has been completed.

Notes:

- When the timer is set incorrectly, perform "Setting the timer" from the beginning.
- When the timer is set, "-:--" in the display is replaced by the input digits.
- When the timer on and off times are set to the same time, the timer operates for 2 hours and then the unit is switched off.

TIMER OPERATIONS

Timer recording

- The current time must be set correctly before you set timer recording.
- Make sure that the erase protection tabs of the cassette have not been broken off.

Operations

1. Set the POWER button to on.
2. Load a cassette in Deck A.
 - Insert the cassette with the side to be recorded facing out.
3. Set the timer start and stop times in this order. (Refer to "Setting the timer" on page 44.)
 - Set the timer about a minute before the broadcast to be recorded is scheduled to start.
4. Press the TUNER/BAND button.
 - Tune to the station to be recorded. (Refer to page 35.)
 - Adjust the volume
5. Set the POWER button to STANDBY.
6. Press the ○ REC and ► PLAY buttons of deck simultaneously.

Notes:

Timer recording will start at the preset start time. The power will not be switched off at the timer-off time during tape operation, but will be switched off when the tape ends. (The timer mode is then released.)

- **To cancel timer operation**

Set the POWER button to on, then press the timer (⊖) ON/OFF button so that the timer mode indicator (⊖) goes out.

If you do this, timer recording will not start at the timer start time.

Note:

Once the timer has been set, the start and stop times are stored in memory. When timer recording or playback is required at different times, the timer must be set again.

- After setting the timer start and stop times, check that the unit is tuned to the required frequency.

Timer playback

- Timer playback of tapes, broadcasts and CDs is possible.

Operations

1. Set the POWER switch to on.
2. Set the timer start and stop times in this order. (Refer to "Setting the timer" on page 44.)
3. Select the source sound.

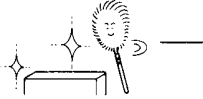
Source sound	Timer mode	Operations
CD play	CD	Load a disc and press the ■/CLEAR button to set the CD mode.
Tape playback	TAPE	Load a cassette tape.
Radio broadcast	TUNER	Press the TUNER/BAND button to set to the tuner mode and tune to the required frequency.

- Timer playback of a CD is possible in programmed order. (See page 29.)
- 4. Adjust the volume.
- 5. Switch the power off. (When performing the timer playback of tape, press the ► PLAY button of the deck.)
- Timer playback will start at the timer start time and the power will be switched off at the timer stop time. (Tuner or CD) The power will not be switched off at the specified time during tape operation and will switched off at the tape end. The unit remains in the same timer mode even after the power is switched off and the same timer function will be repeated at the same time on the following day.
- **To cancel timer operation** Set the POWER button to on, then press the timer (⊖) ON/OFF button so that the timer mode indicator (⊖) goes out.

Note:

- To stop during timer playback, press the POWER button to switch the unit off.

MAINTENANCE



Cleaning is important!

When the tape is running, magnetic powder and dust naturally accumulate on the heads, capstan and pinch roller. When they become too dirty ...

- sound quality deteriorates
- the output sound level drops
- the previous sound is not completely erased
- recording is not performed satisfactorily.

Because of this, you should clean the heads, etc. every 10 hours of use, so that perfect recording is possible.

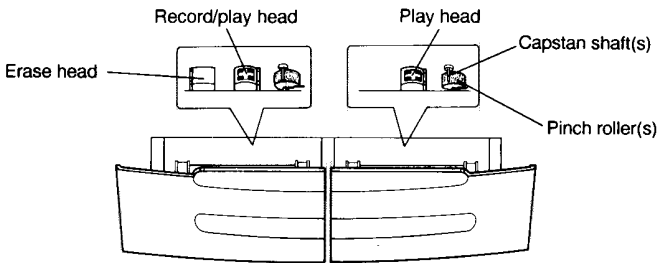
Cleaning the heads, capstan and pinch roller

Open the cassette holder.

Clean the heads, pinch roller and capstan.

For effective cleaning, use a cleaning kit available from an audio store.

After cleaning, be sure that the cleaning fluid has dried completely before loading a cassette.



Cautions:

1. Keep magnets and metallic objects away from the head. If the head becomes magnetized, noise will increase and the tone will deteriorate. Demagnetize the head every 20 - 30 hours of use with a head eraser (available from an audio store). (When demagnetizing the head, the POWER button should be set to STANDBY).
2. Do not use anything other than alcohol for cleaning. Thinner and benzine will damage the rubber pinch roller.

TROUBLESHOOTING



What appears to be trouble is not always serious. Make sure first

1. **When abnormal operation and display occur.**
 - * Remove the AC power cord and all the batteries (including memory backup batteries), then load the batteries again after a few minutes and switch on the power again. (If operation is still abnormal with the above procedure, replace all the batteries with new ones and perform operation again.)
2. **Power cannot be turned on.**
 - * Is the power cord unplugged?
3. **No sound from the speakers.**
 - * Are headphones connected?
- CD Player Section
 4. **The CD player does not play.**
 - * Is the disc upside down?
 - * Is the disc dirty?
 5. **A certain portion of the disc does not play correctly.**
 - * Is the disc scratched?
 6. **When the following displays are shown:**
 - * Press the \blacktriangle OPEN/CLOSE button when "Error" is displayed.
 7. **EXTRA mode is not engaged.**
 - * Are 6 discs loaded in the CD changer?
 8. **CD playback is not performed when the DISC CONTROL button is pressed.**
 - * Is program mode engaged?
 9. **When the operation stops.**
 - * Switch the power OFF and ON again.
- Cassette Deck Section
 10. **Playback sound is at a very low level.**
 - * Is the head dirty?
 11. **The \bigcirc REC button does not function.**
 - * Have the safety tabs of the cassette been broken off?
- Tuner Section
 12. **Reception is noisy.**
 - * Try adjusting the antenna.
- Timer Section
 13. **Timer operation does not start.**
 - * Is the current time set correctly?
 - * Is the timer mode displayed?
- Remote Control
 14. **Remote control is impossible.**
 - * Are the batteries in the remote control exhausted?
 - * Is the REMOTE SENSOR section exposed to bright light (direct sunlight, etc.)?

Note:

Before making an important recording, be sure to make a test recording first to check that the deck, etc. is working correctly.

1 Location of Main Parts

◆ Cabinet section

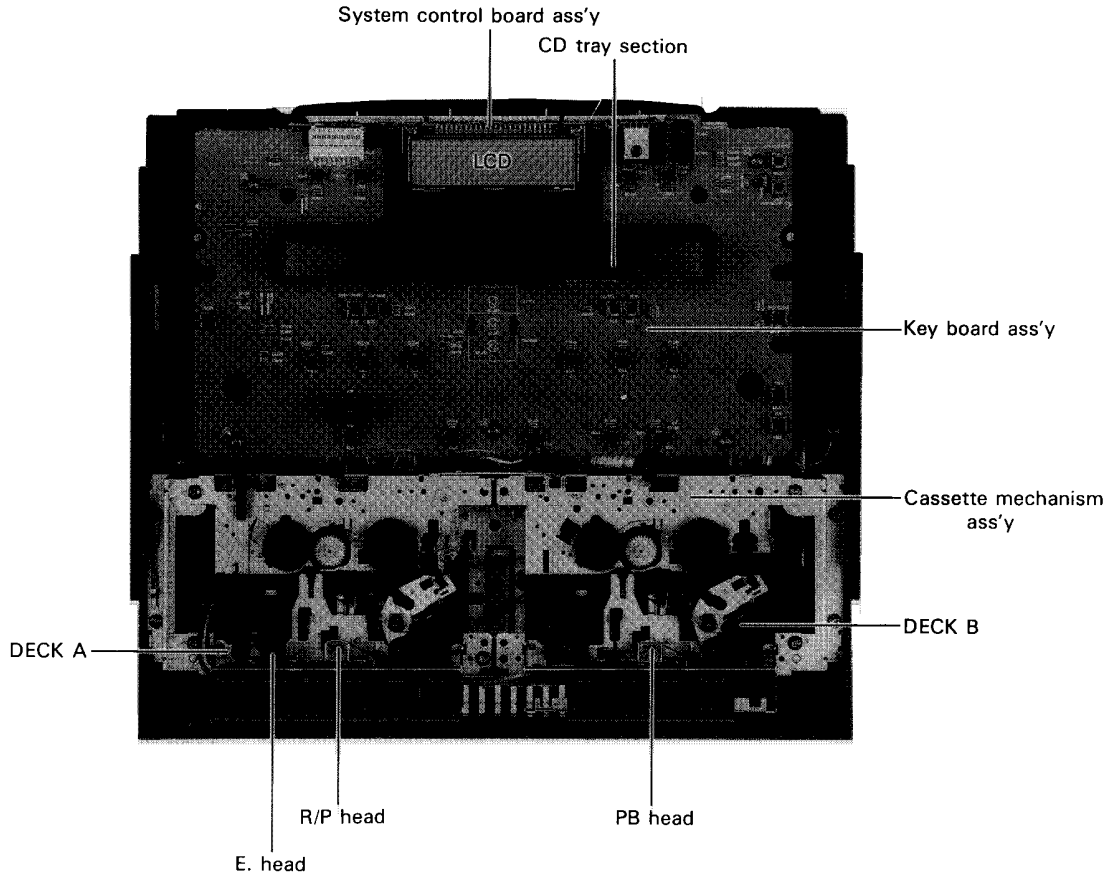


Fig. 1-1

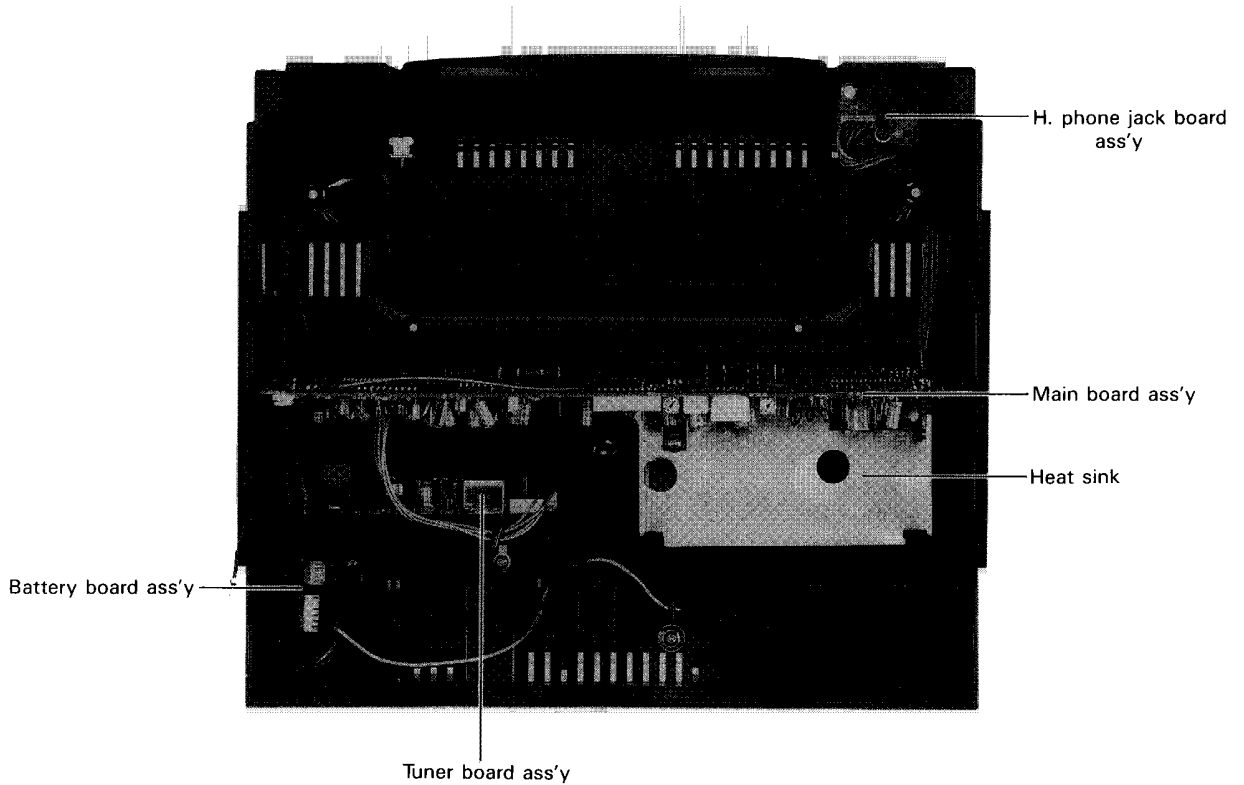


Fig. 1-2

◆ CD Changer section

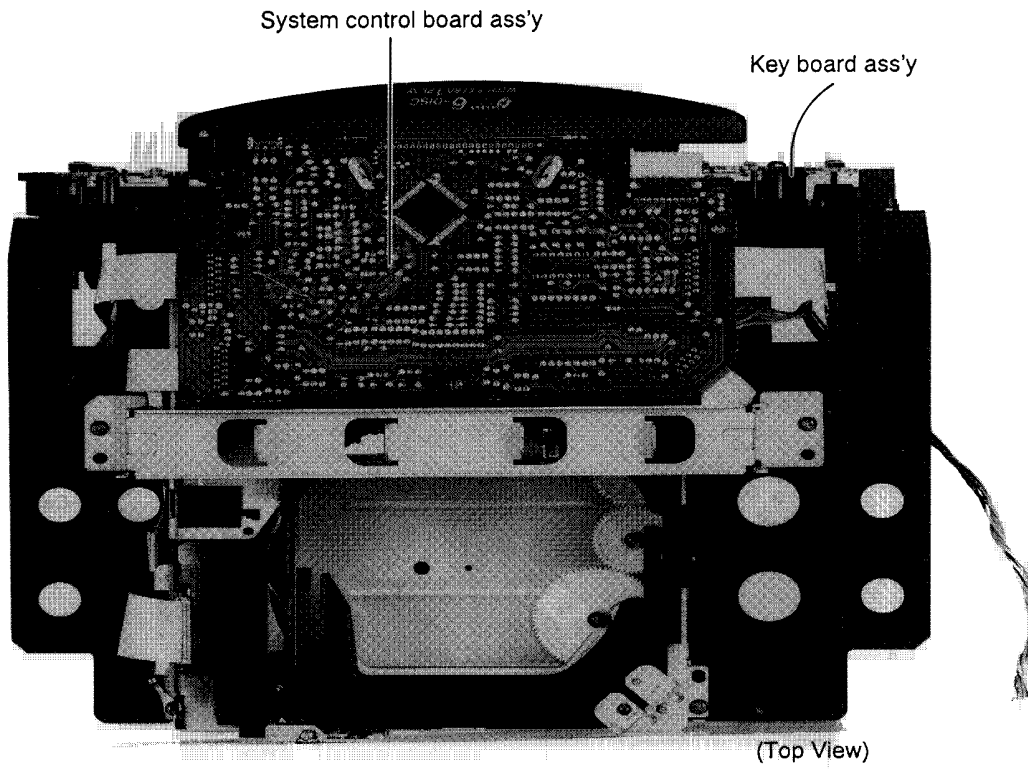


Fig. 1 - 3

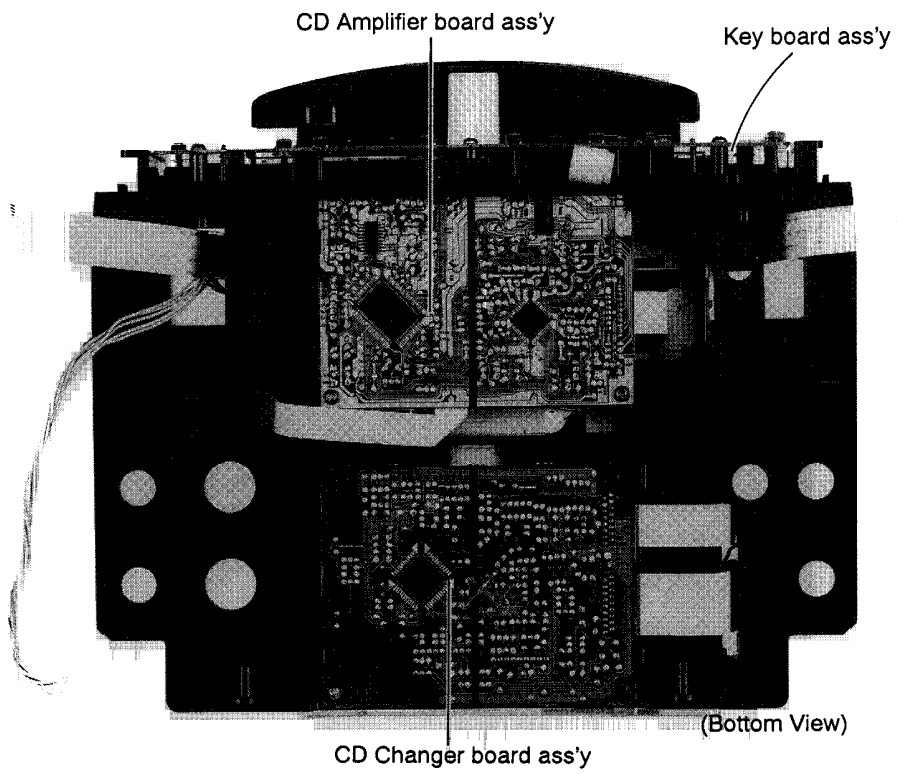


Fig. 1 - 4

2 Removal of Main Parts

■ Enclosure and CD mechanism section

◆ Front cabinet assembly (see Fig. 2-1~Fig. 2-2)

1. Remove two flat screws ① retaining the unit from both sides.
2. Remove five screws ② (marked ▲) retaining the rear cabinet.
3. Press the cassette EJECT button to open the cassette door.
4. Pull the front cabinet forward to remove it.

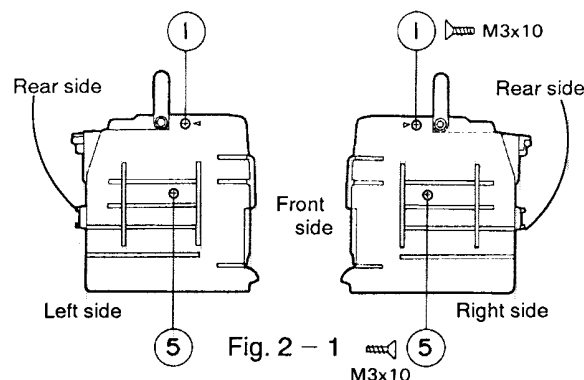


Fig. 2 - 1

◆ Cassette mechanism assembly (with mechanism holder) (See Fig. 2-2~Fig. 2-4)

1. Remove the front cabinet.
2. Remove four screws ③ retaining the cassette mechanism holder to the rear cabinet and one screw ④ retaining the mechanism chassis.
3. Remove wire connecting from the cassette mechanism to main P.C.B.
 - a) Remove the head wire of mechanism A from CNA32.
 - b) Remove the head wire of mechanism B from CNA31.
 - c) Remove the leaf switch wire from CNA35.
 - d) Remove the motor wire from CNA36.

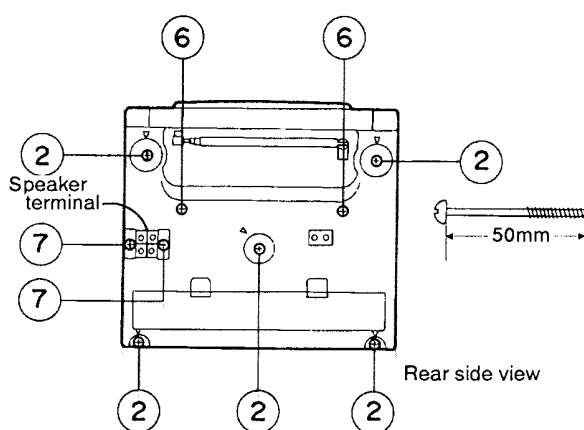


Fig. 2 - 2

◆ Removing CD unit (with main board assembly)

1. Remove the front cabinet. (See Fig. 2-1 ~ Fig. 2-2)
2. Remove two screws ⑤ from both sides of rear cabinet. (See Fig. 2-1)
3. Remove two screws ⑥ retaining the back of the rear cabinet. (See Fig. 2.)
4. Remove wire connecting from the CD unit to main P.C.B. assembly. (See Fig. 2-3~Fig. 2-4)
 - a) Remove the CD amp's wire from CN302 (center section).
 - b) Remove the system control P.C.B. assembly wire from CNU32 (left side).
 - c) Remove the system control P.C.B. assembly wire from CNU31 (right side).
5. Remove wire connecting the CD unit to tuner P.C.B. assembly.
 - a) Remove the wire from the system control P.C.B. assembly from CN2 (left side). (See Fig. 2-5)
6. Pull out the CD unit from the rear cabinet.

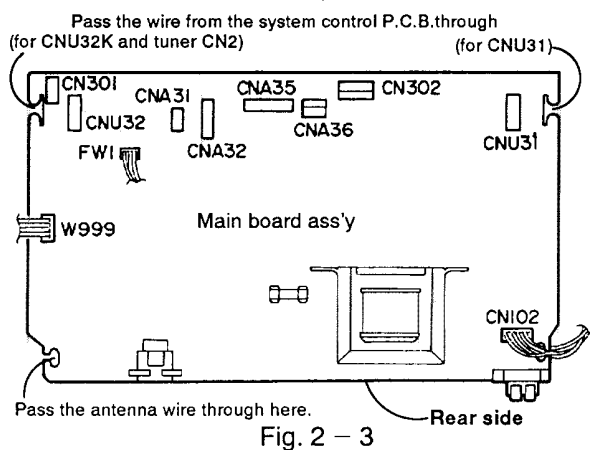


Fig. 2 - 3

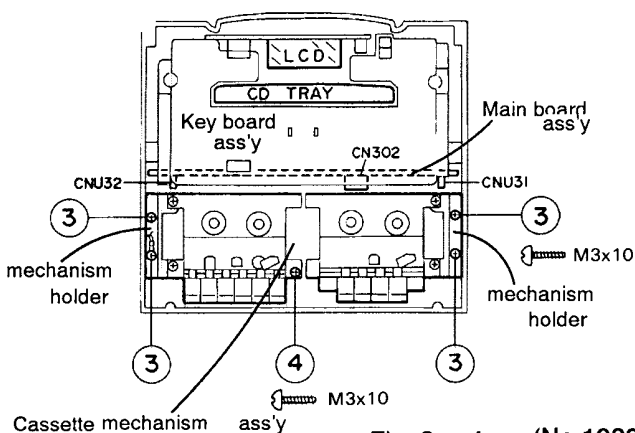


Fig. 2 - 4 (No.1908) 27

◆ **Main P.C.B. assembly**(See Fig. 2-5~Fig. 2-6)

1. Remove the front cabinet.
2. Remove the cassette mechanism.
3. Remove the CD unit.
4. Remove two screws ⑦ retaining the speaker terminal from the back of the rear cabinet. (See Fig. 2-2)
5. Remove two screws ⑧ retaining AC jack from the inside of cabinet.
6. Remove two screws ⑨ retaining the power transformer from the holes of heat sink.
7. Remove the wire to the tuner P.C.B. from CN1 tuner P.C.B. (See Fig.2-5)
8. Remove the antenna wire to the tuner P.C.B. from TP1. (At this time, cut off the band binding the antenna wire and power wire.) (See Fig. 2-5)
9. Remove CN101 from the earphone jack of the right corner. (See Fig. 2-5)
10. Pull out the main P.C.B. assembly from the rear cabinet. (At this time the power transformer shield plate disengages simultaneously.)

The battery P.C.B. with the wire connected also disengages. The battery P.C.B. can be pulled out forwards when the stopper is disengaged. (See Fig. 2-6)

◆ **Tuner P.C.B. assembly** (See Fig.2-5)

1. Remove the front cabinet assembly.
2. Remove the cassette mechanism assembly.
3. Remove the wire to the tuner P.C.B.
 - a) Remove the antenna wire from TP.
 - b) Remove the wire to the system control P.C.B. from CN2.
 - c) Remove the wire from the main P.C.B. from the main P.C.B.
4. Remove two screw ⑩ retaining the P.C.B. holder.

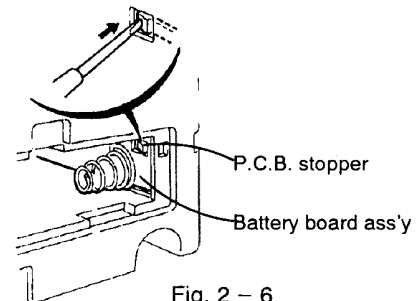
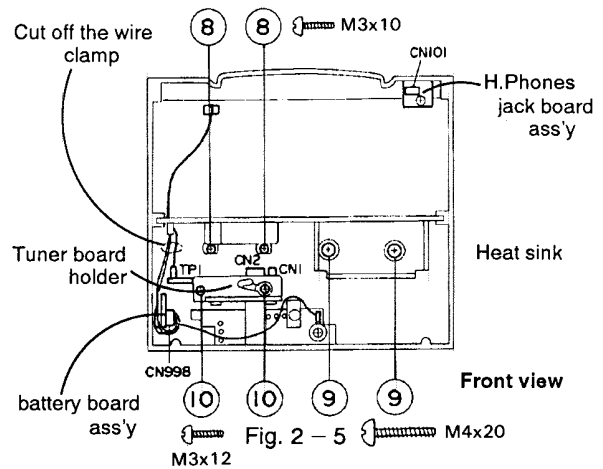


Fig. 2 - 6

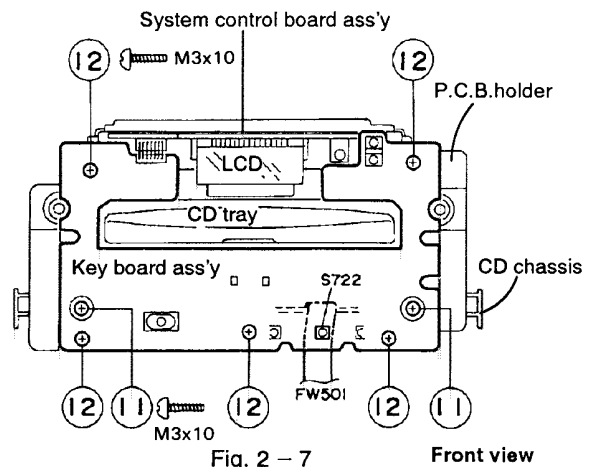


Fig. 2 - 7

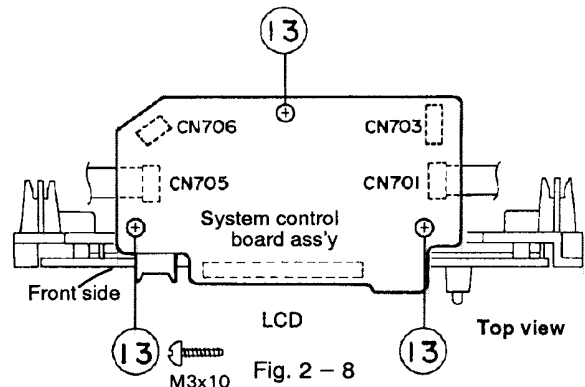


Fig. 2 - 8

◆ **Removing system control and key P.C.B.s**(See Fig.2-7~Fig. 2-8)

1. Remove CD unit section.
2. Remove two screws ⑪ retaining P.C.B. holder from both sides of front side key P.C.B. assembly
3. Remove two wires from the system control P.C.B. (See Fig. 2-8)
 - a) Remove the wire from CD amp. P.C.B. from CN706.
 - b) Remove the wire from the CD changer control P.C.B. from CN703.
- ★ When assembling, pass wire FW501 from the CD amp. between underneath S722 and P.C.B. holder.
4. Turn the screws retaining the P.C.B. holder to remove each P.C.B.
 - a) Remove five screws ⑫ retaining the key board assembly.
 - b) Remove three screws ⑬ retaining the system control P.C.B.

◆ **CD amp/changer P.C.B. assembly** (see Fig.2-9)

1. Remove two screws ⑭ retaining the CD amp. assembly and remove tab A.
2. Remove one screw ⑮ retaining the changer P.C.B. assembly and remove tabs B and C.

◆ **CD changer mechanism unit**(See Fig.2-11~Fig.2-12)

1. Remove the wire coming from the changer P.C.B. from the relay P.C.B.
2. Remove the card wire from the CD amp. P.C.B. CN501.
3. Remove the wires from the CD motor P.C.B. CN502. (See Fig. 2-9 and Fig. 2-11)
4. Remove four screws ⑯ retaining the CD changer mechanism unit.

◆ **CD clamper base assembly** (See Fig.2-12)

1. Remove the front cabinet, CD unit and CD changer mechanism in this order.
2. Remove two screws ⑰ retaining the CD changer mechanism unit.

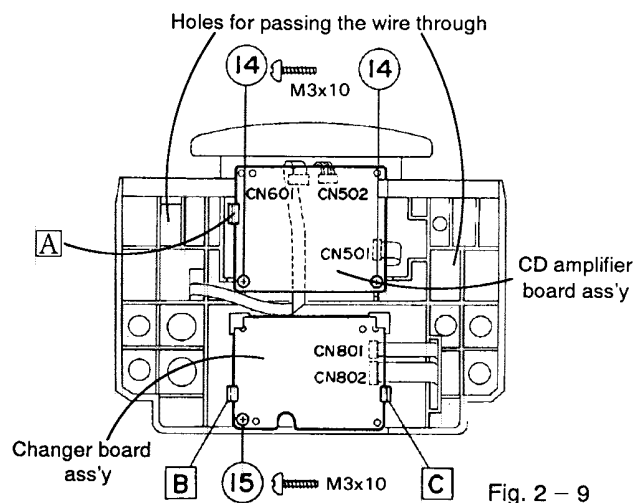


Fig. 2 - 9

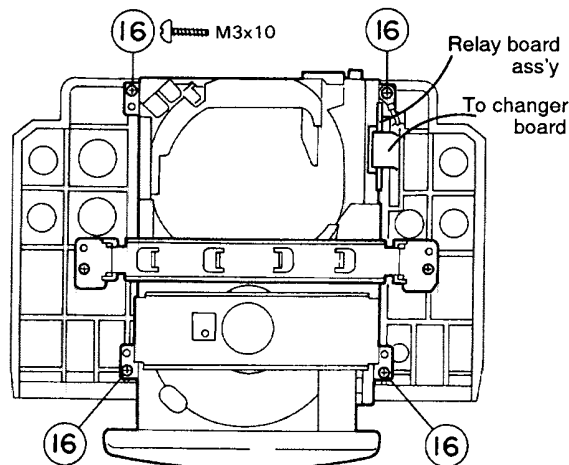


Fig. 2 - 10

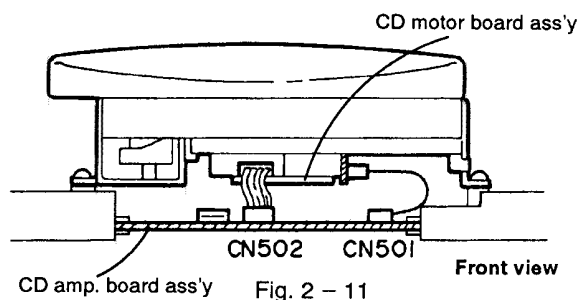


Fig. 2 - 11

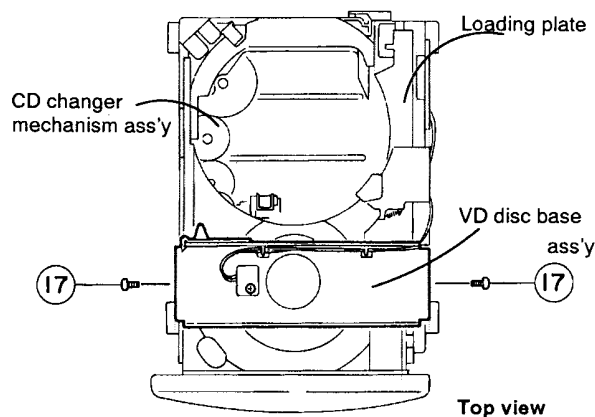


Fig. 2 - 12

◆ **Removing the CD forcibly** (see Fig. 2-13)

1. Remove the front cabinet, CD unit, CD changer mechanism unit and CD clamber base in this order.
2. Turn gear 4 (for elevating and lowering the CD mechanism) clockwise to lower the mechanism.
3. The CD turntable can be lowered and the CD tray can be pulled out to remove the CD.

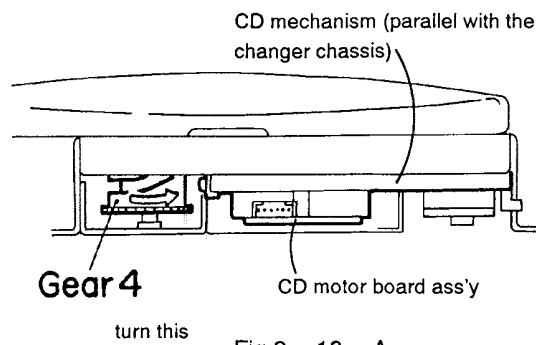


Fig. 2 - 13 - A

◆ **Disc base assembly** (See Fig. 2-14~Fig.2-15)

1. Remove the front cabinet, CD unit, CD changer mechanism unit and CD clamber base assembly in this order.
2. Turn gear 4 (for elevating and lowering the CD mechanism) clockwise to lower the mechanism. (See Fig. 2-13)

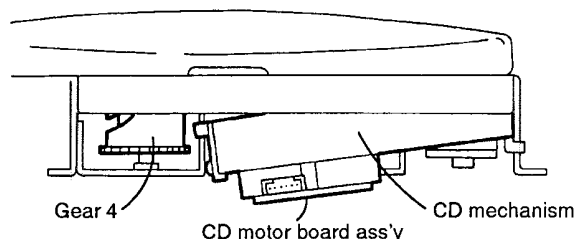


Fig. 2 - 13 - B

3. Pull out the CD base assembly (tray) by approx. 5 cm, then remove screw ⑱ retaining the disc base bracket from the pickup hole.
4. Further pull out the disc base until it stops, then reverse the CD changer mechanism base.

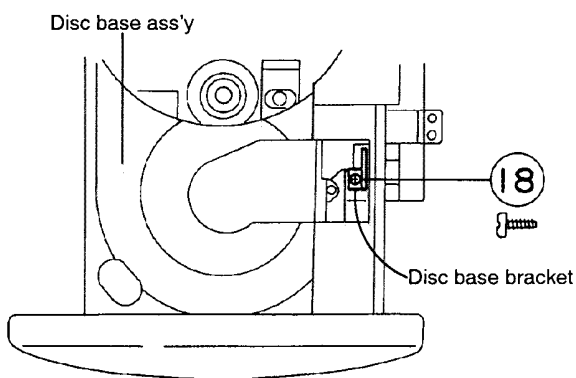


Fig. 2 - 14

Next, remove arm ㉓ retaining cover plate A (S) to the disc base assembly by pushing the arm in the direction of the arrow and disengage the arm.

5. Place the unit in the correct position, then slightly push the disc base and push guide stopper switch lever at the tip of the disc base using a thin bar until it reaches the position indicated by a dotted line and pull out the disc base until it stops.

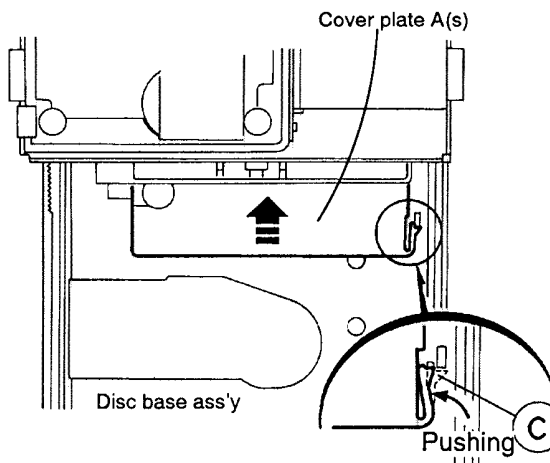


Fig. 2 - 15

Next, let the tip of the disc base float and pull out the disc base as if to disengage the stopper guide.

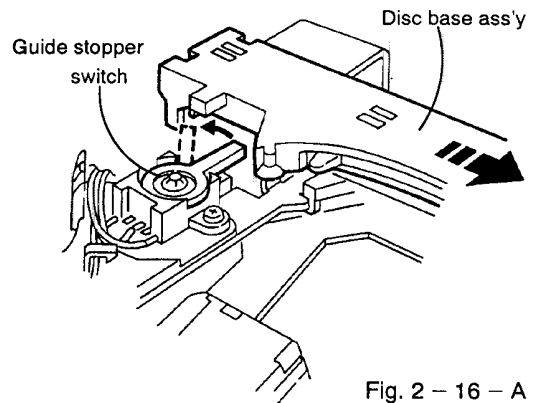


Fig. 2 – 16 – A

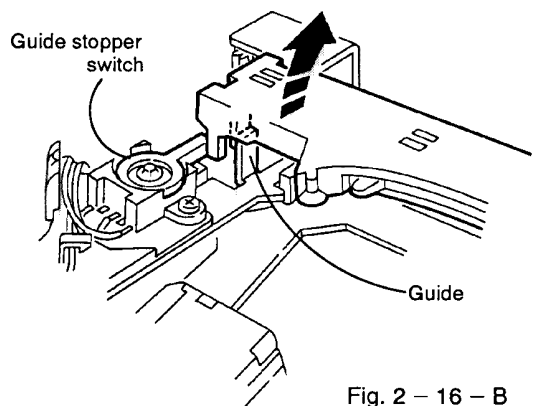


Fig. 2 – 16 – B

◆ Replacing the CD mechanism assembly and pickup (See Fig. 2-17~Fig.2-18)

1. Remove two screws ⑲ retaining the CD mechanism assembly from the right side of the chassis.
2. Remove the CD mechanism assembly from the retaining screw side.
3. Remove screw ⑳ retaining the CD pickup shaft to loosen the turntable.
4. Pull out the pickup shaft.
- ★ Make sure that the shaft is inside both stoppers during assembly.
5. Turn the gear until it is easy to remove the pickup, then do so.

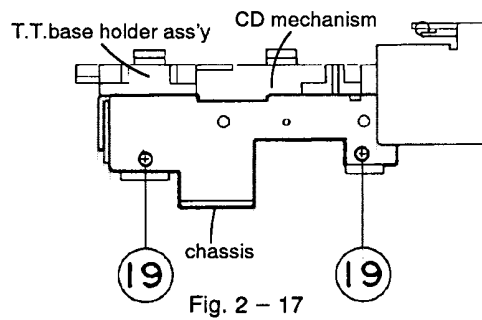


Fig. 2 – 17

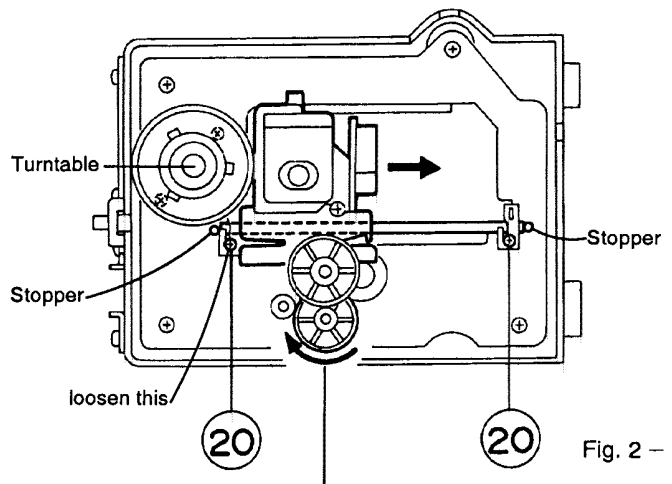


Fig. 2 – 18

If turned counterclockwise, the pickup will move to the right.

◆ **Disassembling the CD changer mechanism**

(See Fig. 2-19)

1. Pull the cover plate A (S) towards the front, then remove screw ②①.
2. Remove two screws ②② at the left of the chassis.
3. Remove two screws ②③ retaining the changer and the right side of the CD stocker.
4. Remove screw ②④ retaining the bracket at the left corner of the CD stocker.
5. Remove other parts if necessary.

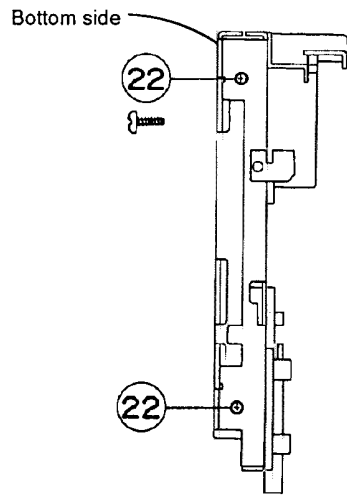


Fig. 2 – 19 – A

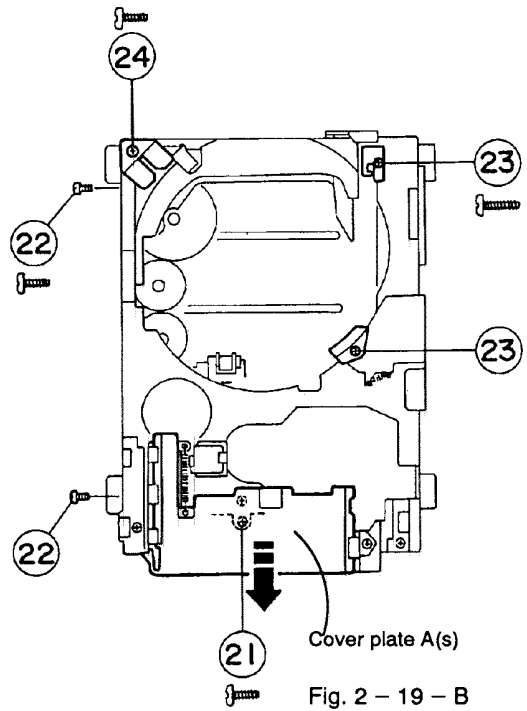


Fig. 2 – 19 – B

◆ **CD tray fitting** (See Fig. 2-20)

Lift up the fitting from the disc base assembly to remove it.

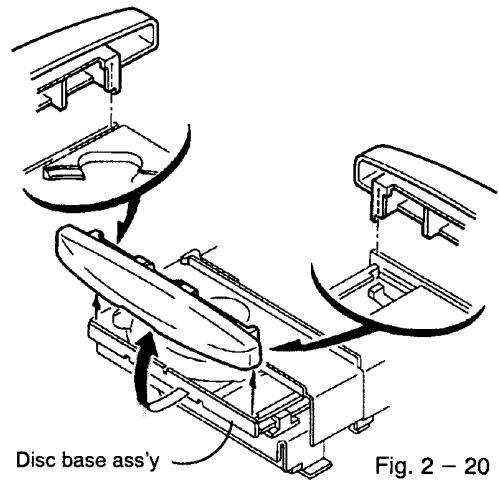


Fig. 2 – 20

■ Cassette Mechanism Section

◆ Motor bracket(recording/playback)(See Fig. 2 - 21)

- 1.Remove the three screws ①.
- 2.Remove the chassis and M.bracket from the button side.(The synchro arm can be removed from the pause lock. Return the pause lock after it is removed from the proper position).

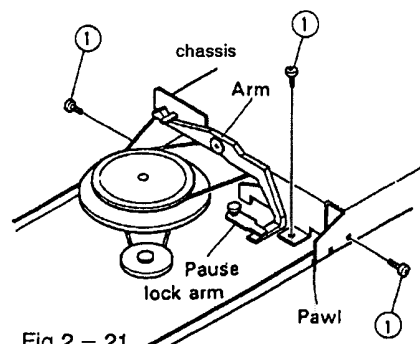


Fig.2 - 21

◆ Head section (See Fig. 2 - 22)

- 1.Remove the record/playback head's mounting screw ③ and loosen screw ⑤.
- 2.Remove the two screws ④.

◆ Pinch roller (See Fig. 2 - 22)

- 1.Remove the pinch roller arm stopper tab ④.

◆ Flywheel ass'y (See Fig. 2 - 22 , 2 - 24)

- 1.Remove the C washer ⑥ securing the capstan shaft.
- 2.Pull out the flywheel ass'y.

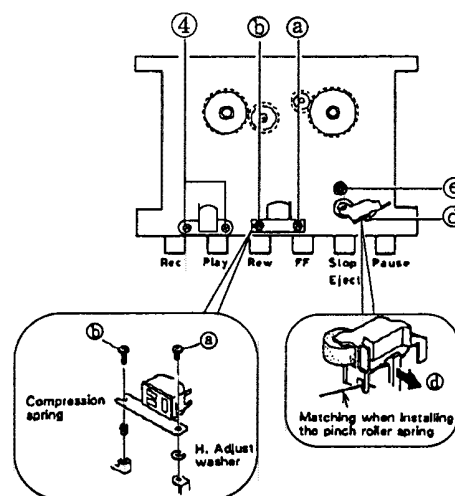


Fig.2 - 22

◆ Removal of the button ass'y from the mechanical chassis.

a. Leaf switch (See Fig. 2 - 23)

Press the switch's lock panel and raise from the left to remove.

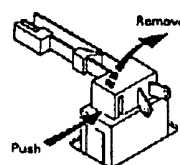


Fig.2 - 23

b. Gear(Below the flywheel)(See Fig. 2 - 24~Fig. 2 - 26)

Remove the C washer ① securing the gear.

For reassembly, insert the Sensing Lever arm stand into the ② section.

c. Lock arm(See Fig. 2 - 11)

Press the arm stopper from window ⑧, and pull to remove.

d. Chassis remove(See Fig. 2 - 24 , Fig. 2 - 25)

- 1)Remove the three springs ①, ② and ③.
- 2)Remove the two screws ④.
- 3)Remove the two screws ⑤ securing the capstan metal.
- 4)Gently remove the button ass'y from the chassis.

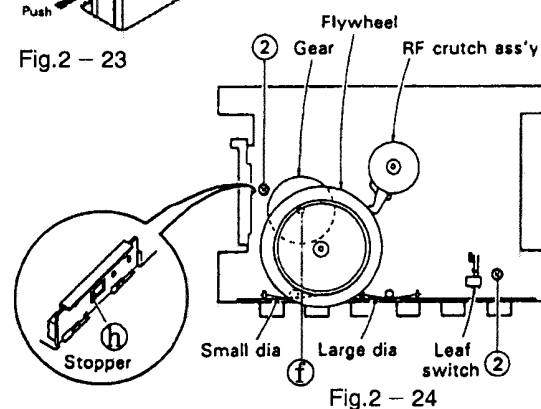


Fig.2 - 24

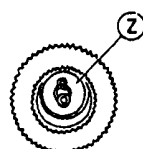


Fig.2 - 26

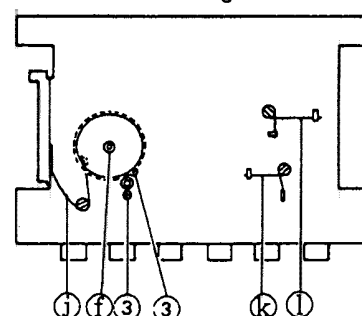


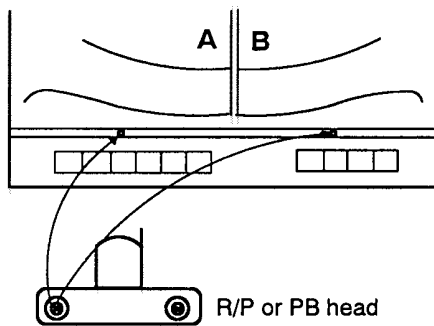
Fig.2 - 25

■ Cassette mechanism & Amplifier section

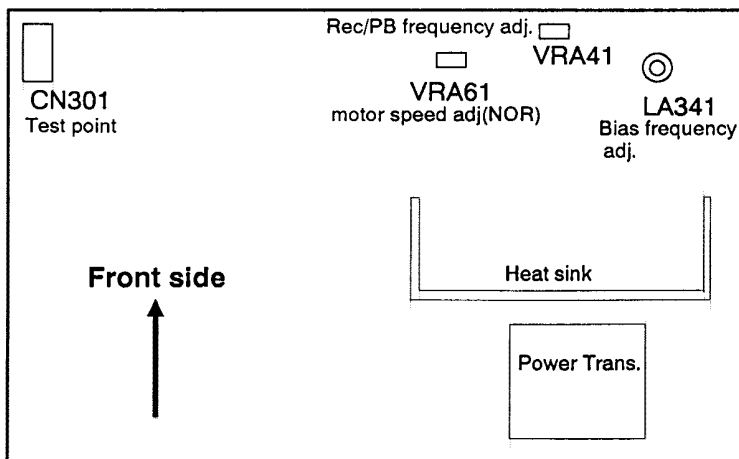
Items	Conditions	Adjustment and Confirmation	Standard Value	Adjusting
Head azimuth adjustment	Test tape :VTT703L(10kHz) Test point :Headphone (Dummy load 32 Ω)	Play test tape VTT03L(10kHz) and adjust the head azimuth so that output level is maximum and phase discrepancy is minimum between the two channels.	Output :maximum Phase difference :minimum	Head adjusting screw
Motor speed adjustment	Test tape :VTT712(3kHz) Test point :Headphone (Dummy load 32 Ω)	Play test tape VTT712(3kHz)and near the end position. Should the following tape speed is not of specification, it is necessary to adjust the speed controller(external/semifixed resistor).	Normal speed :3010 ± 10Hz High speed :5400 ± 400Hz	VRA61
Wow speed adjustment	Test tape :VTT712(3kHz) Test point :Headphone (Dummy load 32 Ω)	Play test tape VTT712(3kHz)to tape start, middle and end position. Wow and flutter should be within the following allowance at the three positions.	Playback should be within 0.4% (JIS RMS)	—
Playback output level check	Test tape :VTT722(1kHz) Test point :Headphone (Dummy load 32 Ω)	1. Play test tape VTT722(1kHz)and switch the tape select to Metal position. The playback output level should be within - 1.5~ - 3.5dB. 2. L,R difference level to be within ± 3dB.	Within - 1.5~ - 3.5dB WITHIN ± 3dB	—
Frequency response check	Test tape :VTT739 (1kHz//10kHz)	Switch tape select to Normal position and volume at level 13 position. Play test tape VTT739 then compare the level between 1kHz and 10kHz. Then difference level should be within +4dB ± 3dB.	Difference of 10kHz level from 1kHz level :within +4 ± 3dB	—
Bias frequency adjustment	•Adjust:FM mode •Confirm:AM mode Test point:CN301	Switch tape select to Normal position. In case that the bias frequency is not of specification, LA341 should be readjusted to standard and set to Tuner Rec.position for alignment. ① Adjust bias frequency at FM mode. ② Confirm bias frequency at AM mode.	Tuner frequency :FM/Bias frequency ;101.0kHz :AM530(M1) /Bias frequency	LA341
Recording/play frequency response check and adjustment	Test tape:AC224 (Normal tape) Test point :Headphone (Dummy load 32 Ω)	Select function to tape mode and volume at level 13 position. Reference level of - 20dB,(1kHz and 10kHz) perform the REC/PB function. Playback the recorded signals, adjust VRA41, so that the level of the 10kHz signal is +2dB ± 1dB to the level of the 1kHz signal.	10kHz :+2 ± 2dB	VRA41

Items	Conditions	Adjustment and Confirmation	Standard Value	Adjusting
Recording/play sensitivity check	Test tape :AC224(Normal tape) input:CN301 Test point :Headphone	Supply 1kHz, - 18dBs signal to the test point CN301 and record it. Play it back while checking that the level is within $1 \pm 3\text{dB}$ to the monitor level.	Reference level :Monitor level $1 \pm 3\text{dB}$	—
Recording/play distortion check	Test tape :AC224(Normal tape) input:CN301 Test point :Headphone (Dummy load 32Ω)	Supply 1kHz, - 18dBs signal to the test point CN301 and record it. Play it back while checking that distortion is less than 5%.	Less than 5%	—

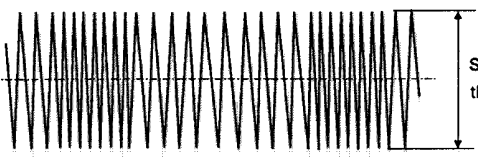
◆ Head azimuth adj. point



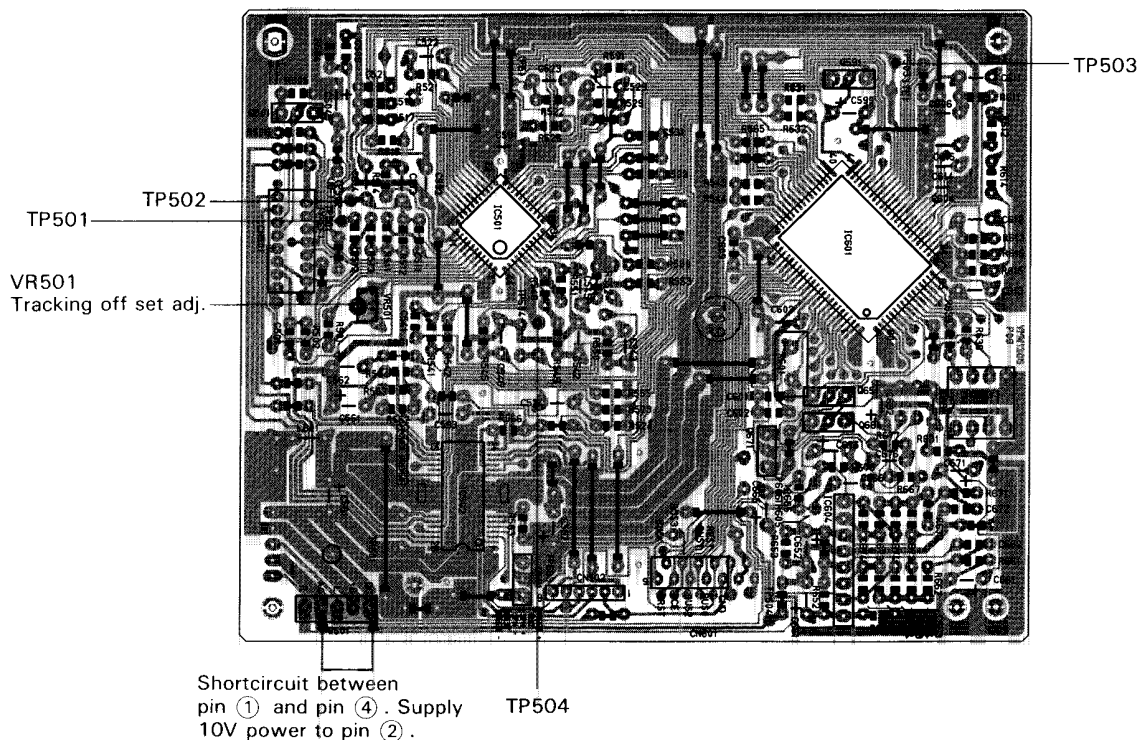
◆ Main board adj. point



■ CD Amplifier section

Items	Conditions	Adjustment and Confirmation	Standard Value	Adjusting
Tracking offset adjustment	Normal disc :CTS1000 Oscilloscope	<ol style="list-style-type: none"> 1. Connect an oscilloscope between TP503(Hot side)and TP502(Earth side). 2. Shortcircuit between pin ② and pin ⑤ of FW501, and supply 8 V to pin ③. 3. Playback a normal disc. 4. Shortcircuit between TP504 and TP501. 5. Adjust VR501 so that DC level of tracking error signal becomes zero(observed by oscilloscope). <p style="text-align: center;">Tracking offset waveform</p>  <p>Note:(1)Adjust VR501 so that the waveform is vertically symmetric with respect to the zero level. (2)Input to the oscilloscope should be DC coupling.</p>	Set the center of P - P to the DC zero level.	VR501

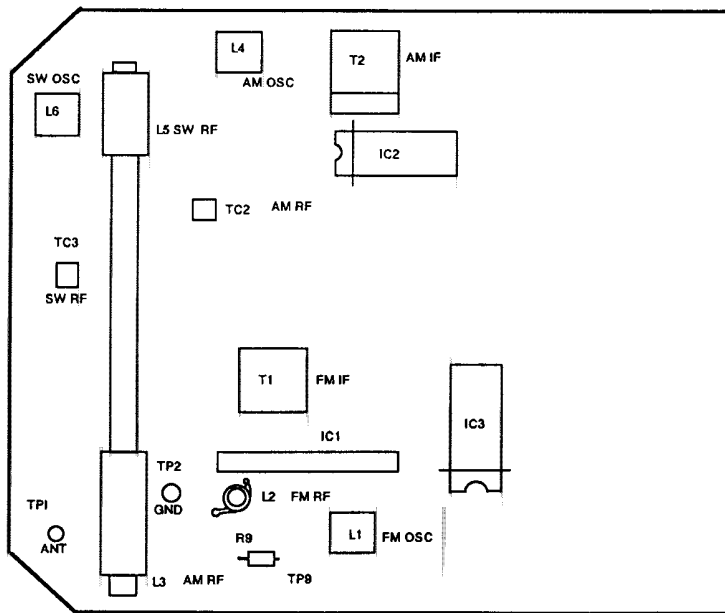
◆ CD Amplifier board adj. point



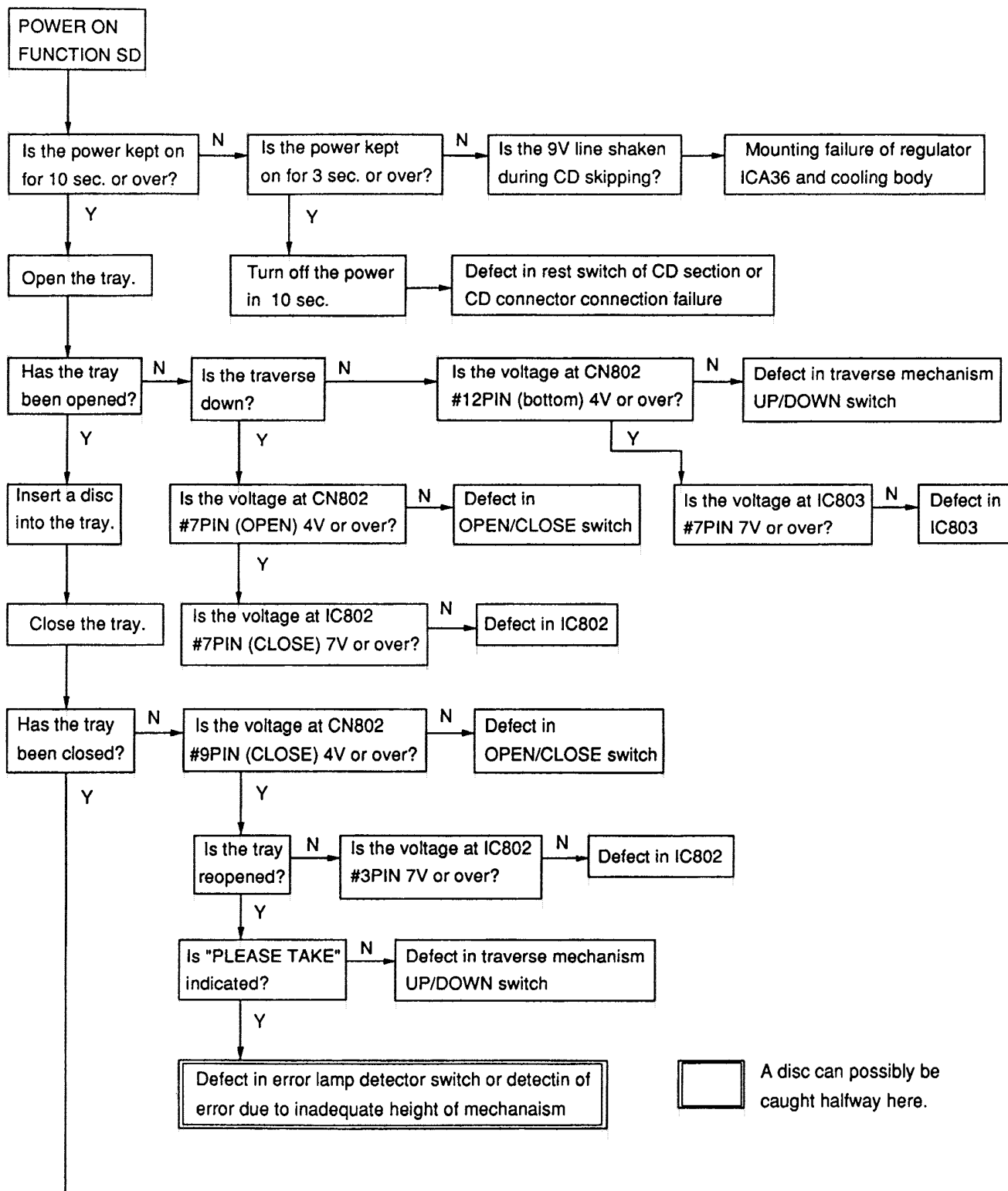
■ Tuner section

Items	Conditions	Adjustment and Confirmation	Standard Value	Adjusting
AM RF tracking check	Band select :MW Input position:Standard loop antenna Output position:Headphone jack	<ol style="list-style-type: none"> 1. Receive 1710kHz signal (preset No.2) from an AM oscillator by the set while adjusting L4 to obtain $4.7 \pm 0.1V$ at TP9. 2. Next, receive 600kHz (603kHz) signal (preset No.3) while adjusting L3 to maximize headphone output. 3. Next, receive 1500kHz signal (preset No.4) while adjusting TC2 to maximize headphone output. 4. Repeat the above steps 2. and 3. to obtain maximum outputs respectively. 	Output level :Maximum (TP9) : $5.0 \pm 0.1V$	L4 L3 TC2
FM RF tracking	Band select :FM Input position :Unbalanced 75Ω +V side to TP1 - V side to TP2	<ol style="list-style-type: none"> 1. Receive 88.0MHz signal (preset No.3) from an FM oscillator by the set while adjusting L2 to maximize headphone output. 2. Repeat the above steps 1. , adjust for no further improvement. 	Max.	L2

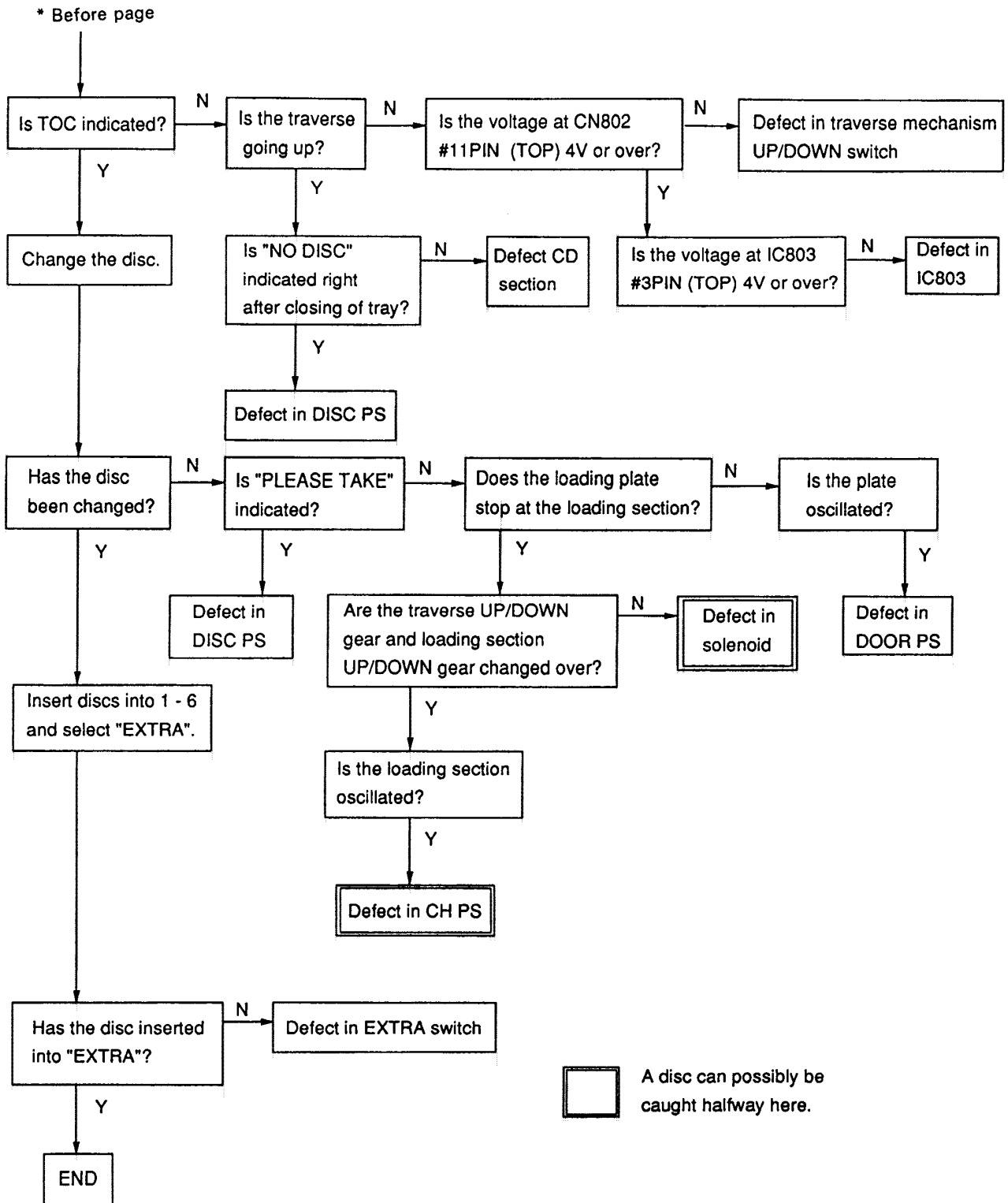
◆ Tuner board adjusting point



4 CD changer mechanism troubleshooting



* Next page



5 Block diagram

■ Integrated circuit

◆ IC2 TA2057N (FM IF/DET/MPX, AM RF/IF/DET)

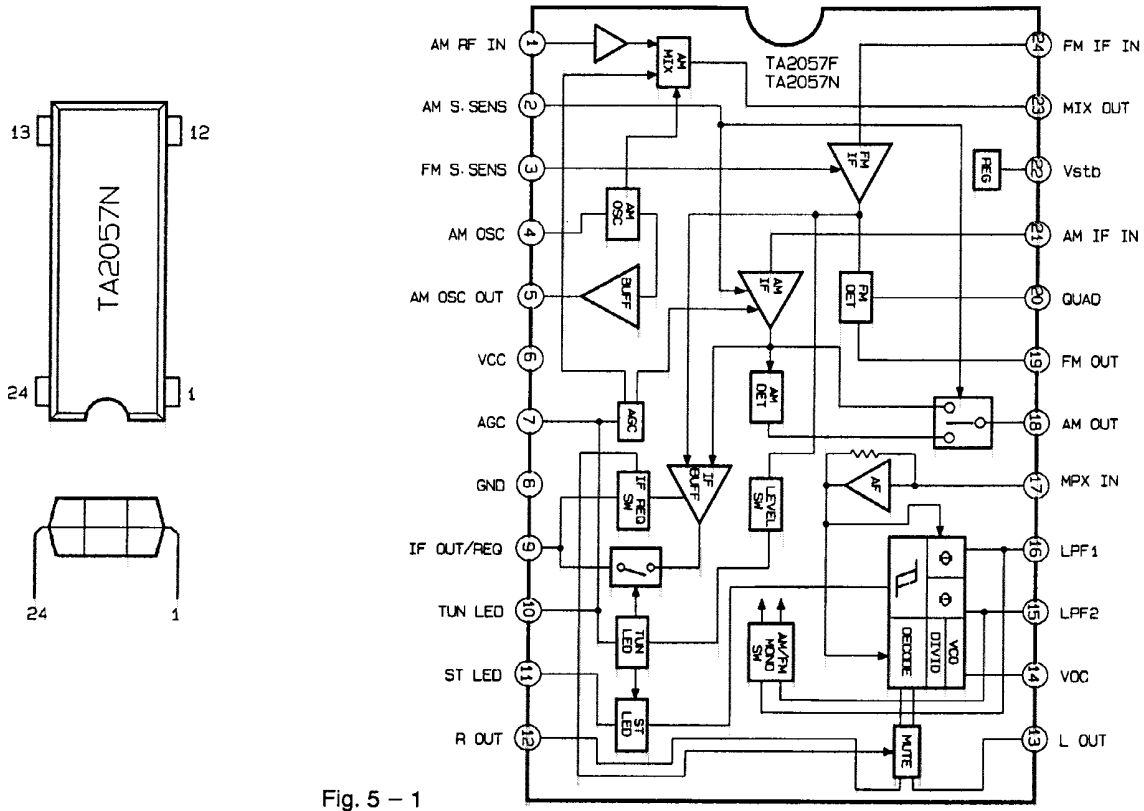


Fig. 5 - 1

◆ IC361 CXA1792S (E.VOLUME)

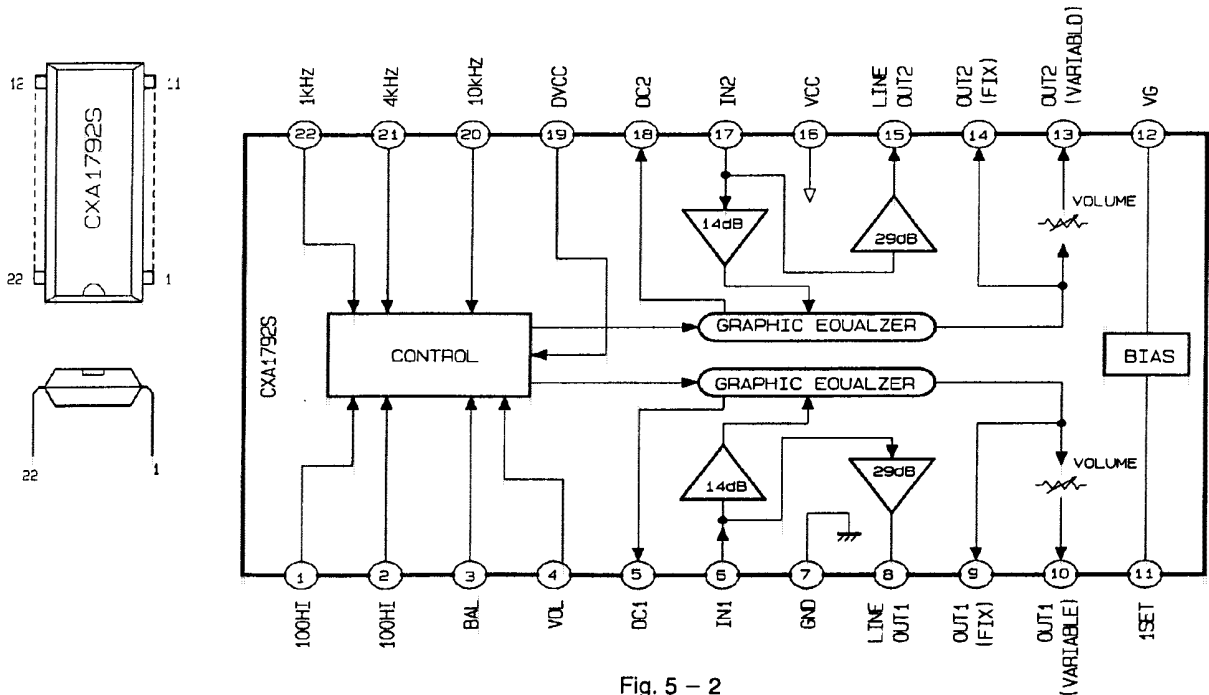


Fig. 5 - 2

◆ IC1 TA7358P (FM FRONT END)

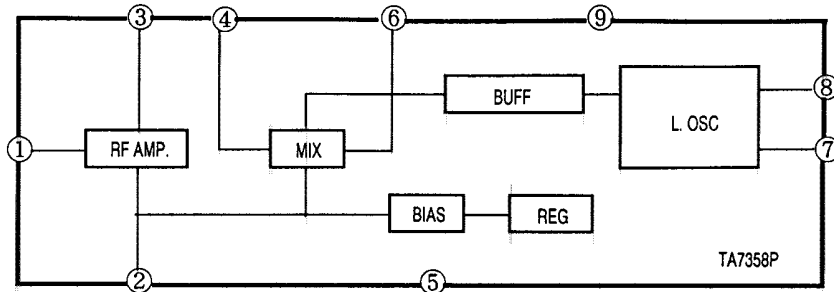


Fig. 5 - 3

◆ IC3 TC9216P (PLL)

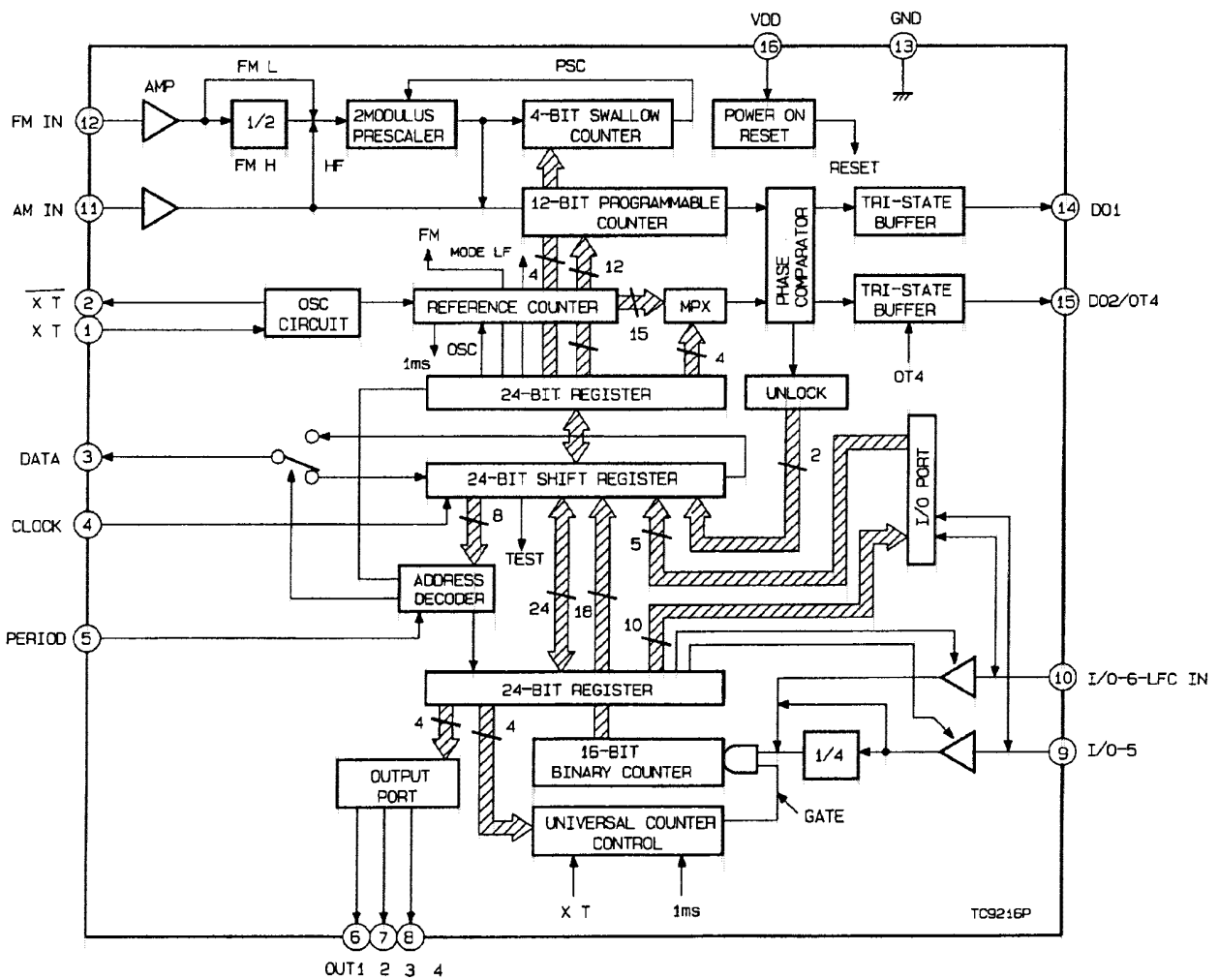


Fig. 5 - 4

◆ IC101/IC201 TA8229K (POWER AMP.)

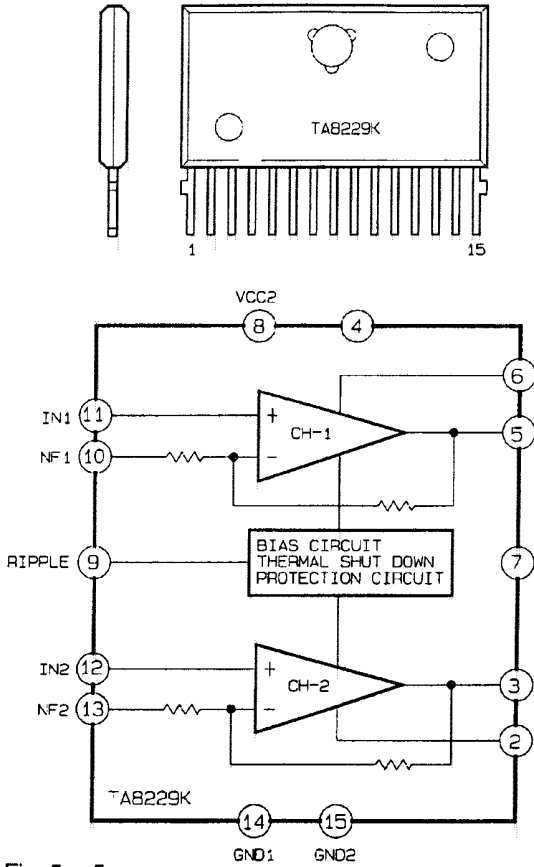


Fig. 5 - 5

◆ IC802/IC803 TA8409S (MOTOR DRIVE)

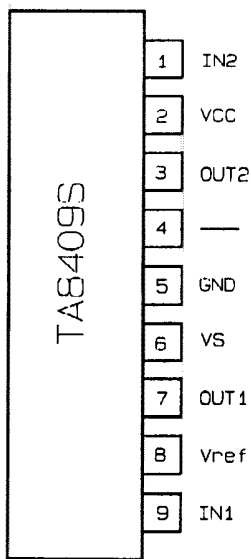


Fig. 5 - 7

◆ IXA32 LA3220 (REC AMP.)

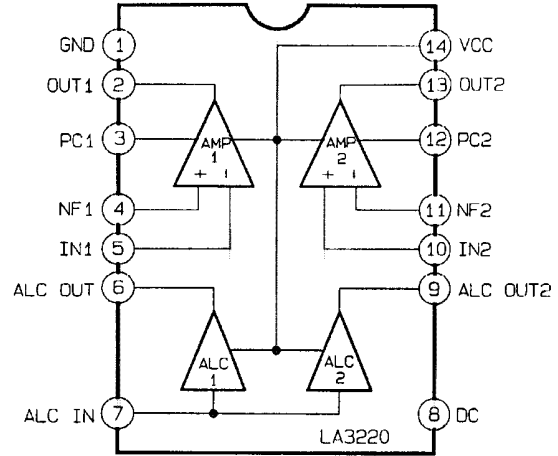


fig. 5 - 6

◆ ICA31 LA3246 (PB AMP.)

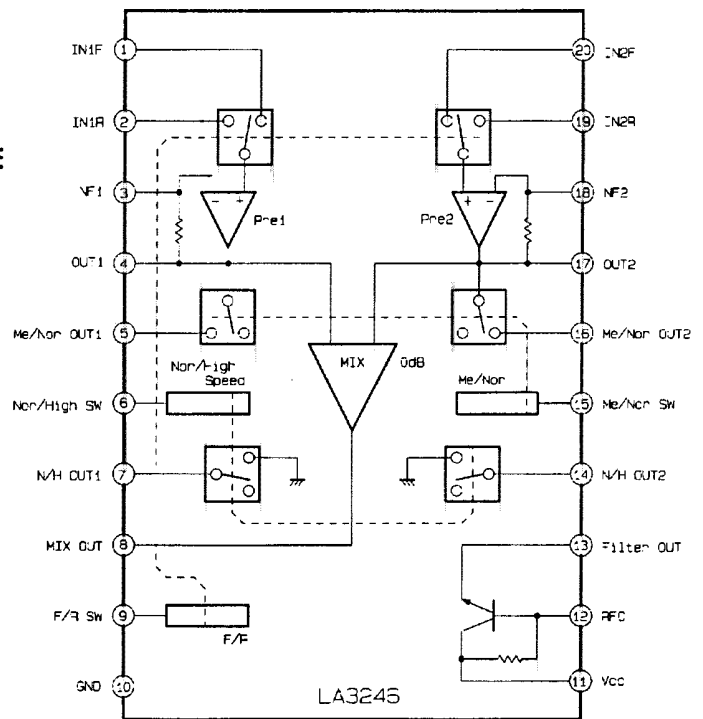
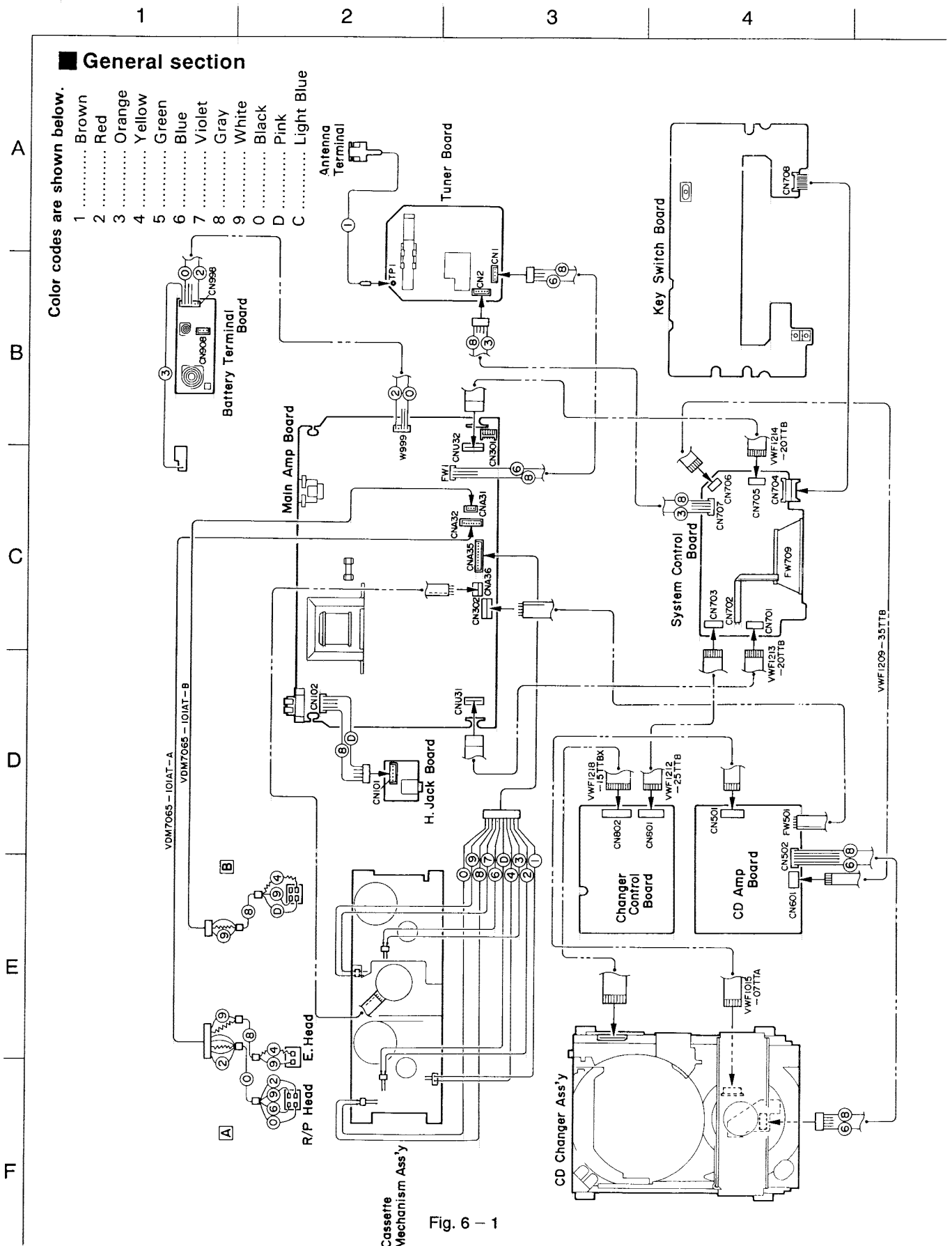


Fig. 5 - 8

6 Wiring connections



General section

- Color codes are shown below.
- 1 Brown
 - 2 Red
 - 3 Orange
 - 4 Yellow
 - 5 Green
 - 6 Blue
 - 7 Violet
 - 8 Gray
 - 9 White
 - 0 Black
 - D Pink
 - C Light Blue

Fig. 6 - 1

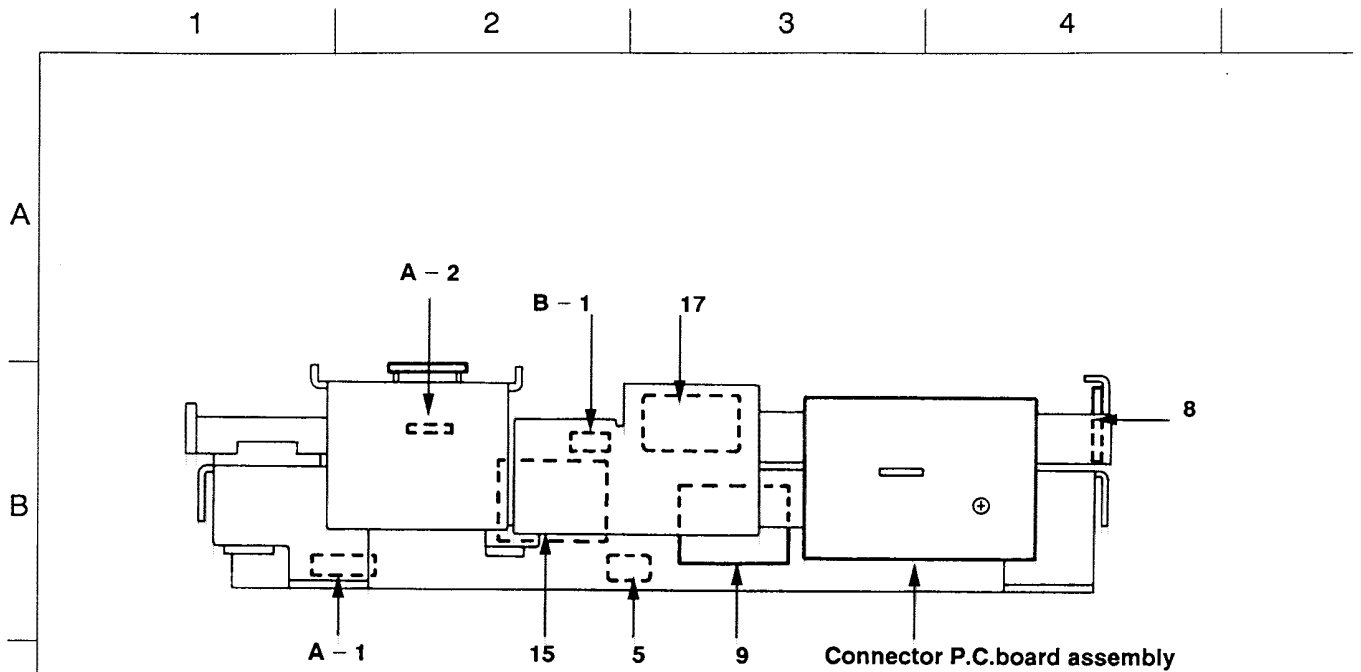


Fig. 6-3

● Color codes are shown below

1	Brown	8	Gray
2	Red	9	White
3	Orange	0	Black
4	Yellow	D	Pink
5	Green	C	Light Blue
7	Violet		

Head amplifier circuit

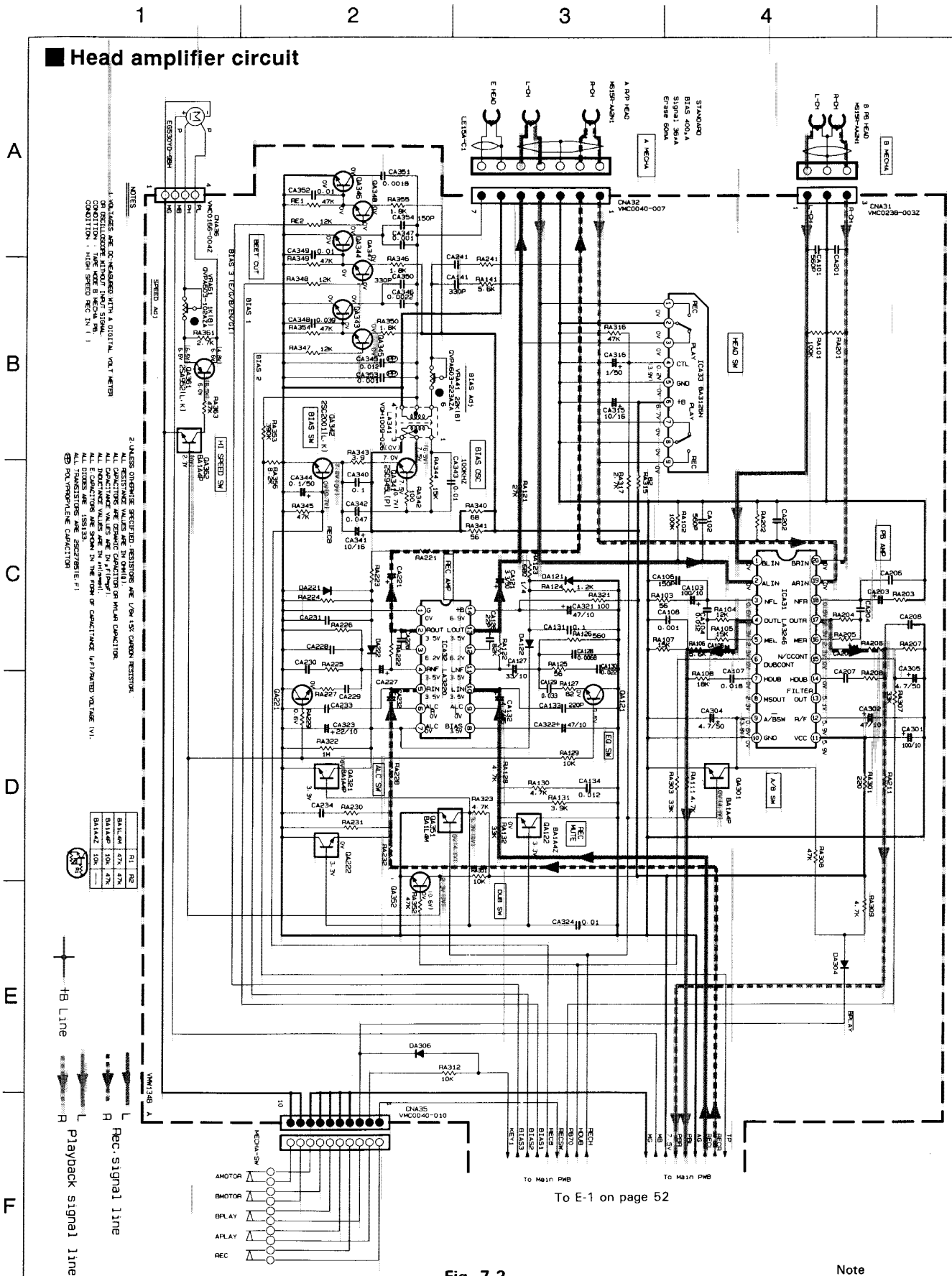
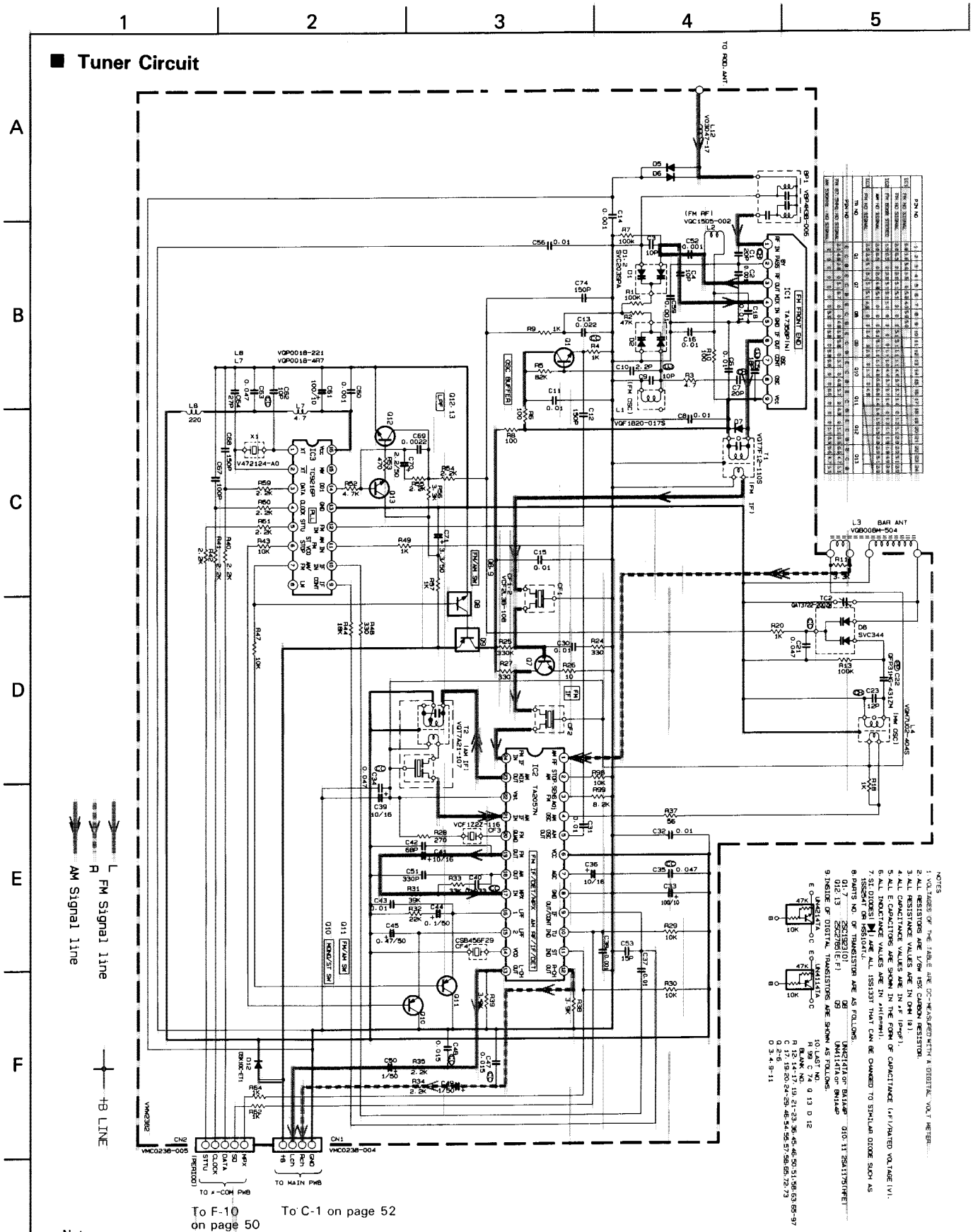


Fig. 7-2

Note VDH7065001RW



■ Tuner Circuit

A
B
C
D
E
F

FM Signal line
AM Signal line
+B LINE

To F-10 on page 50
To C-1 on page 52

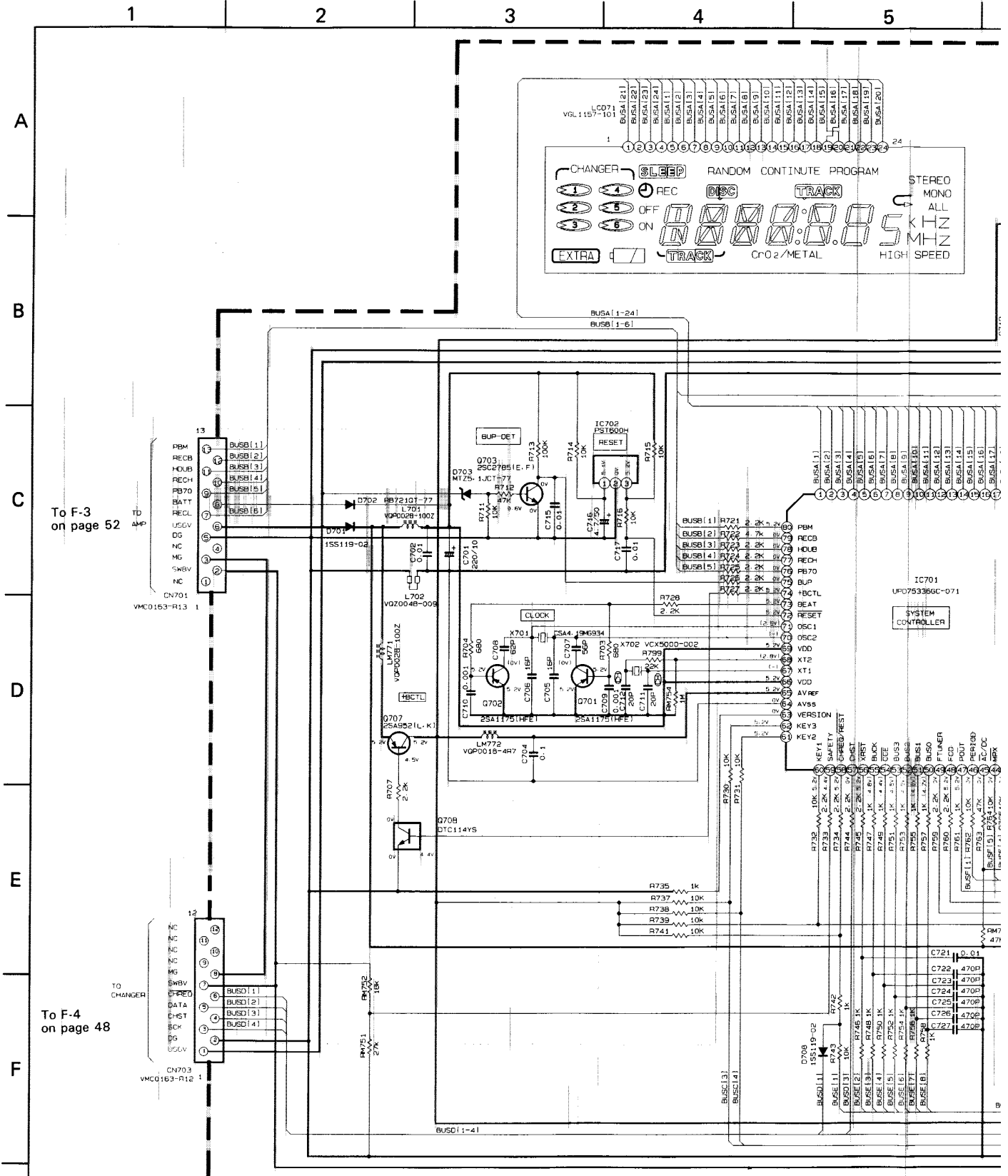
Note
VDH7065006TW

Fig. 7-3

IC	NO.	DESCRIPTION	QTY	REMARKS
VOP0018-005	1	IC1	1	
VOP0018-006	1	IC2	1	
VOP0018-007	1	IC3	1	
VOP0018-008	1	IC4	1	
VOP0018-009	1	IC5	1	
VOP0018-010	1	IC6	1	
VOP0018-011	1	IC7	1	
VOP0018-012	1	IC8	1	
VOP0018-013	1	IC9	1	
VOP0018-014	1	IC10	1	
VOP0018-015	1	IC11	1	
VOP0018-016	1	IC12	1	
VOP0018-017	1	IC13	1	
VOP0018-018	1	IC14	1	
VOP0018-019	1	IC15	1	
VOP0018-020	1	IC16	1	
VOP0018-021	1	IC17	1	
VOP0018-022	1	IC18	1	
VOP0018-023	1	IC19	1	
VOP0018-024	1	IC20	1	
VOP0018-025	1	IC21	1	
VOP0018-026	1	IC22	1	
VOP0018-027	1	IC23	1	
VOP0018-028	1	IC24	1	
VOP0018-029	1	IC25	1	
VOP0018-030	1	IC26	1	
VOP0018-031	1	IC27	1	
VOP0018-032	1	IC28	1	
VOP0018-033	1	IC29	1	
VOP0018-034	1	IC30	1	
VOP0018-035	1	IC31	1	
VOP0018-036	1	IC32	1	
VOP0018-037	1	IC33	1	
VOP0018-038	1	IC34	1	
VOP0018-039	1	IC35	1	
VOP0018-040	1	IC36	1	
VOP0018-041	1	IC37	1	
VOP0018-042	1	IC38	1	
VOP0018-043	1	IC39	1	
VOP0018-044	1	IC40	1	
VOP0018-045	1	IC41	1	
VOP0018-046	1	IC42	1	
VOP0018-047	1	IC43	1	
VOP0018-048	1	IC44	1	
VOP0018-049	1	IC45	1	
VOP0018-050	1	IC46	1	

- NOTES
1. VOLTAGES IN THE TABLE ARE DC-VOLTAGES WITH A DIGITAL VOLTMETER.
 2. ALL RESISTORS ARE 1/10W 1% CARBON RESISTORS.
 3. ALL CAPACITORS ARE 50V 10% TANTALUM CAPACITORS.
 4. ALL CAPACITANCE VALUES ARE IN PICO FARADS (pF).
 5. ALL ELECTROLYTIC CAPACITORS ARE SHOWN IN THE FORM OF CAPACITANCE (μF)/VOLTAGE (V).
 6. ALL INDUCTANCE VALUES ARE IN MILLIHENRIES (mH).
 7. 5-DIGIT DIODES ARE ALL 1S8139T THAT CAN BE CHANGED TO SIMILAR CODE SUCH AS 1S8139T OR 1S8139T-1.
 8. 9-DIGIT DIODES ARE AS FOLLOWS: 1S8139T-1, 1S8139T-2, 1S8139T-3, 1S8139T-4, 1S8139T-5, 1S8139T-6, 1S8139T-7, 1S8139T-8, 1S8139T-9.
 9. INSIDE OF DIGITAL TRANSISTORS ARE SHOWN AS FOLLOWS: 2N4339, 2N4339-1, 2N4339-2, 2N4339-3, 2N4339-4, 2N4339-5, 2N4339-6, 2N4339-7, 2N4339-8, 2N4339-9.
 10. LAST NO. 0 13 D 12
 11. 12 14 17 19 21 23 25 27 29 31 33 35 37 39 41 43 45 47 49 51 53 55 57 59 61 63 65 67 69 71 73 75 77 79 81 83 85 87 89 91 93 95 97
 12. 12 14 17 19 21 23 25 27 29 31 33 35 37 39 41 43 45 47 49 51 53 55 57 59 61 63 65 67 69 71 73 75 77 79 81 83 85 87 89 91 93 95 97
 13. 12 14 17 19 21 23 25 27 29 31 33 35 37 39 41 43 45 47 49 51 53 55 57 59 61 63 65 67 69 71 73 75 77 79 81 83 85 87 89 91 93 95 97
 14. 12 14 17 19 21 23 25 27 29 31 33 35 37 39 41 43 45 47 49 51 53 55 57 59 61 63 65 67 69 71 73 75 77 79 81 83 85 87 89 91 93 95 97
 15. 12 14 17 19 21 23 25 27 29 31 33 35 37 39 41 43 45 47 49 51 53 55 57 59 61 63 65 67 69 71 73 75 77 79 81 83 85 87 89 91 93 95 97
 16. 12 14 17 19 21 23 25 27 29 31 33 35 37 39 41 43 45 47 49 51 53 55 57 59 61 63 65 67 69 71 73 75 77 79 81 83 85 87 89 91 93 95 97
 17. 12 14 17 19 21 23 25 27 29 31 33 35 37 39 41 43 45 47 49 51 53 55 57 59 61 63 65 67 69 71 73 75 77 79 81 83 85 87 89 91 93 95 97
 18. 12 14 17 19 21 23 25 27 29 31 33 35 37 39 41 43 45 47 49 51 53 55 57 59 61 63 65 67 69 71 73 75 77 79 81 83 85 87 89 91 93 95 97
 19. 12 14 17 19 21 23 25 27 29 31 33 35 37 39 41 43 45 47 49 51 53 55 57 59 61 63 65 67 69 71 73 75 77 79 81 83 85 87 89 91 93 95 97
 20. 12 14 17 19 21 23 25 27 29 31 33 35 37 39 41 43 45 47 49 51 53 55 57 59 61 63 65 67 69 71 73 75 77 79 81 83 85 87 89 91 93 95 97

System Microprocessor Circuit



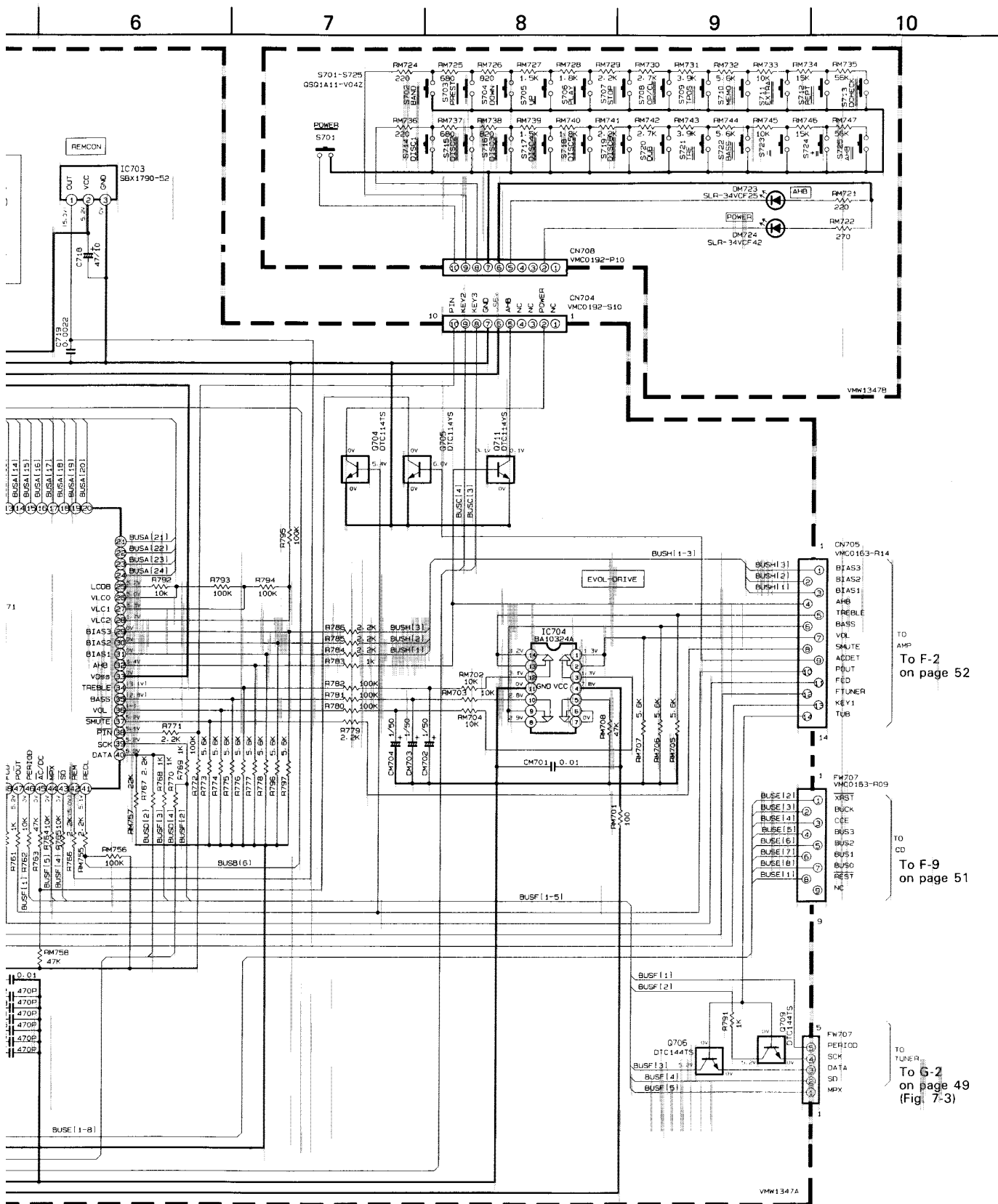
To F-3 on page 52

To F-4 on page 48

- NOTES
1. VOLTAGES ARE DC-MEASURED WITH A DIGITAL VOLT METER OR OSCILLOSCOPE WITHOUT INPUT SIGNAL. CONDITION --- CD MODE
 2. UNLESS OTHERWISE SPECIFIED: RESISTORS ARE 1/8W ±5% CARBON RESISTOR. ALL RESISTANCE VALUES ARE IN OHMS. ALL CAPACITORS ARE CERAMIC CAPACITOR OR MYLAR CAPACITOR. ALL CAPACITANCE VALUES ARE IN μF (P=PPF). ALL INDUCTANCE VALUES ARE IN mH (P=MH). ALL ELECTROLYTIC CAPACITORS ARE SHOWN IN THE FORM OF CAPACITANCE (μF/RATED VOLTAGE (V)). ALL DIODES ARE

3. BRACKETS INSIDE VOLTS ARE REFERENCE DATA.
- Ⓢ UNFLAMMABLE CARBON RESISTOR
- Ⓜ METAL FILM RESISTOR
- Ⓞ OXIDE METAL FILM RESISTOR
- Ⓛ 120V LOW LEAK CURRENT ELECTROLYTIC CAPACITOR
- Ⓜ POLYMERISED ELECTROLYTIC CAPACITOR
- Ⓟ POLYPROPYLENE CAPACITOR
- Ⓟ POLYSTYROL CAPACITOR

Note VDH7066006SV



To F-2 on page 52

To F-9 on page 51

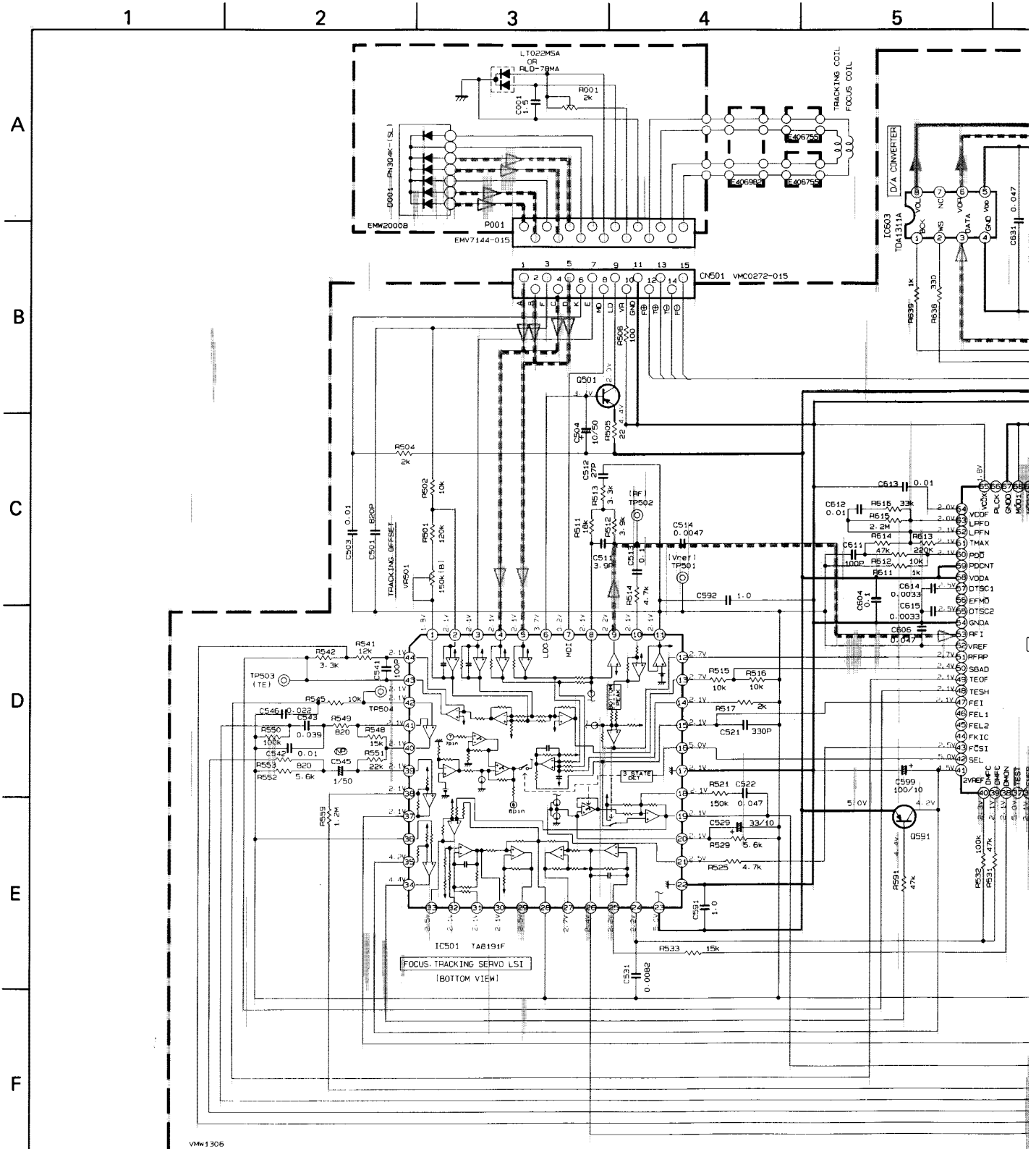
To G-2 on page 49 (Fig. 7-3)

R1/R2	10K/10K	10K/47K	10K/-	47K/-
R1	DTC114ES	DTC114YS	DTC114TS	DTC144TS
R2				

IB Line

Fig. 7-4

CD Amplifier Circuit



VMW1306

NOTES

- VOLTAGES ARE DC-MEASURED WITH A DIGITAL VOLT METER IN PLAYBACK
 - UNLESS OTHERWISE SPECIFIED, RESISTORS ARE 1/6W 1% CARBON RESISTOR. ALL RESISTANCE VALUES ARE IN OHM(Ω).
 - ALL CAPACITORS ARE CERAMIC CAPACITOR OR MYLAR CAPACITOR.
 - ALL CAPACITANCE VALUES ARE IN nF(NPF).
 - ALL INDUCTANCE VALUES ARE IN mH(MPH).
 - ALL E-CAPACITORS ARE SHOWN IN THE FORM OF CAPACITANCE 1/1(RATED VOLTAGE 1V).
- (C) UNFLAMMABLE CARBON RESISTOR
 - (MF) METAL FILM RESISTOR
 - (OF) OXIDE METAL FILM RESISTOR
 - (E) 20% LOW LEAK CURRENT ELECTROLYTIC CAPACITOR
 - (NP) NON-POLARISED ELECTROLYTIC CAPACITOR
 - (PP) POLYPROPYLENE CAPACITOR
 - (PS) POLYSTYRENE CAPACITOR

Q501	2SA952(L-K)
Q581	
Q591	2SA1309(R,S) OR 2SA1175(HFE) OR 2SA933S(RS)
Q651	UN4115 OR 0TA114TS
Q661	
Q671	UN4215 OR 0TC114TS

0571-0661 →

0551 →

Note
VDH7066006CV

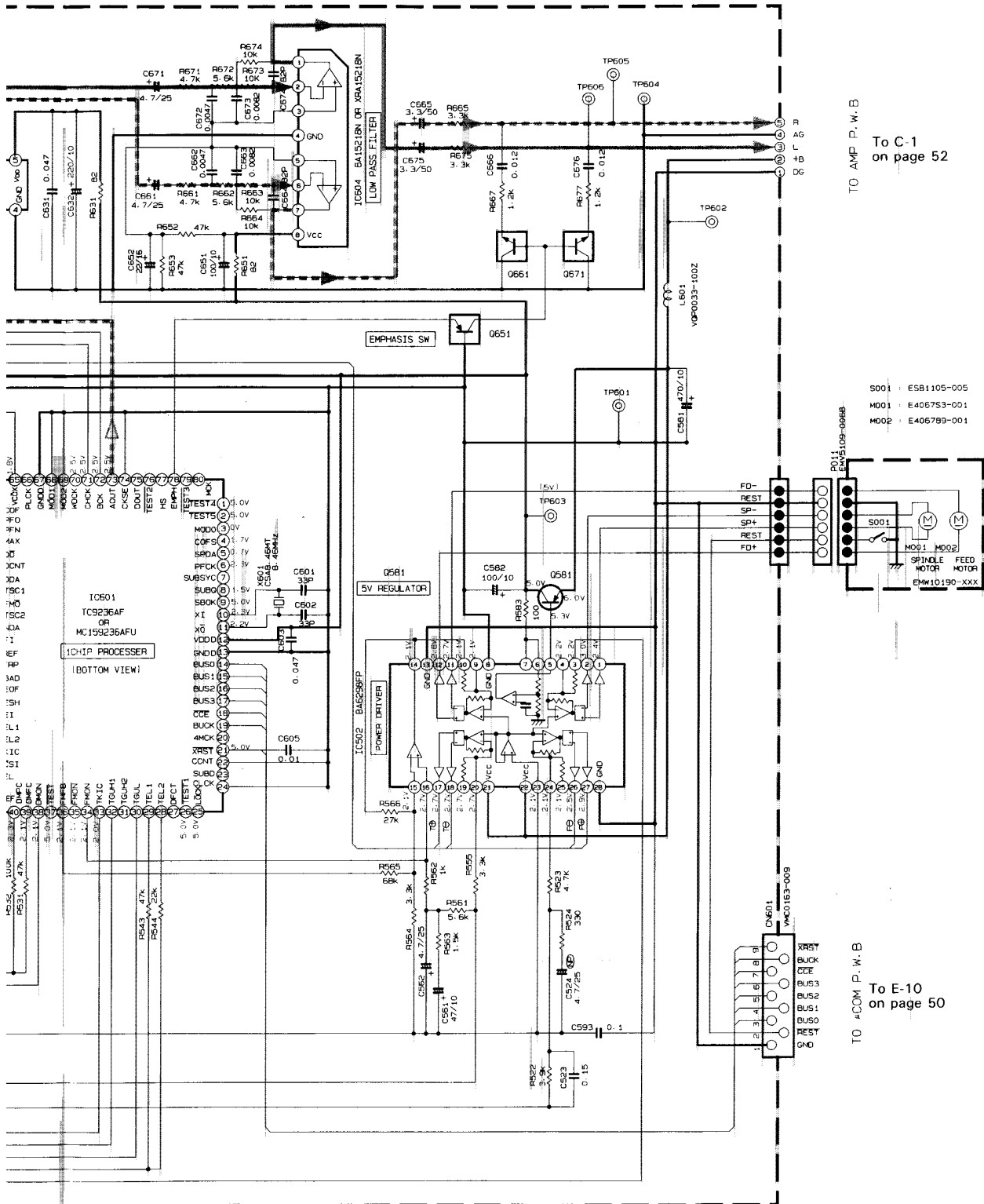
6

7

8

9

10



TO AMP P.W.B
To C-1
on page 52

TO COM P.W.B
To E-10
on page 50

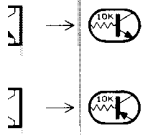
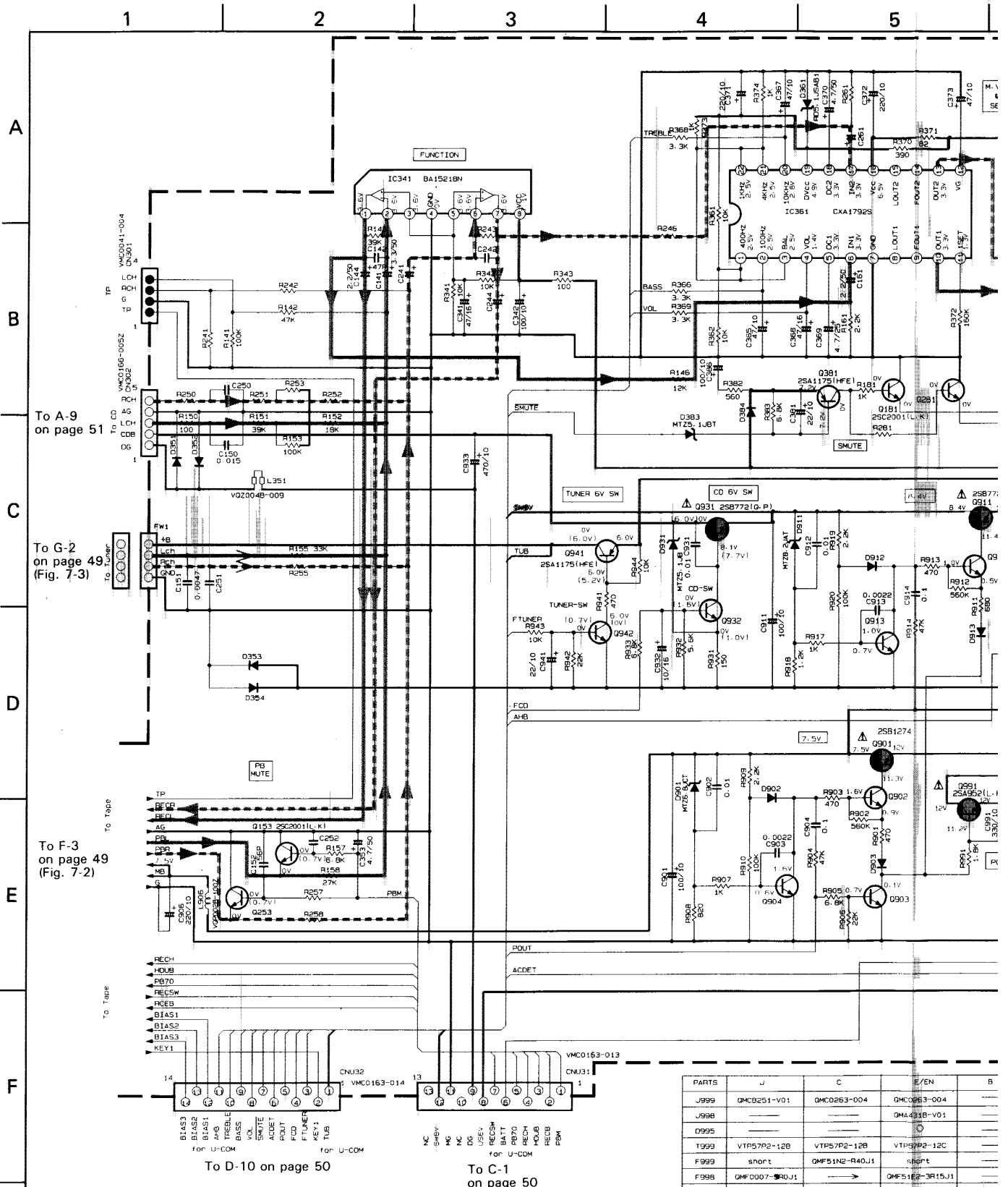


Fig. 7-5

■ Amplifier Circuit



To A-9 on page 51

To G-2 on page 49 (Fig. 7-3)

To F-3 on page 49 (Fig. 7-2)

To D-10 on page 50

To C-1 on page 50

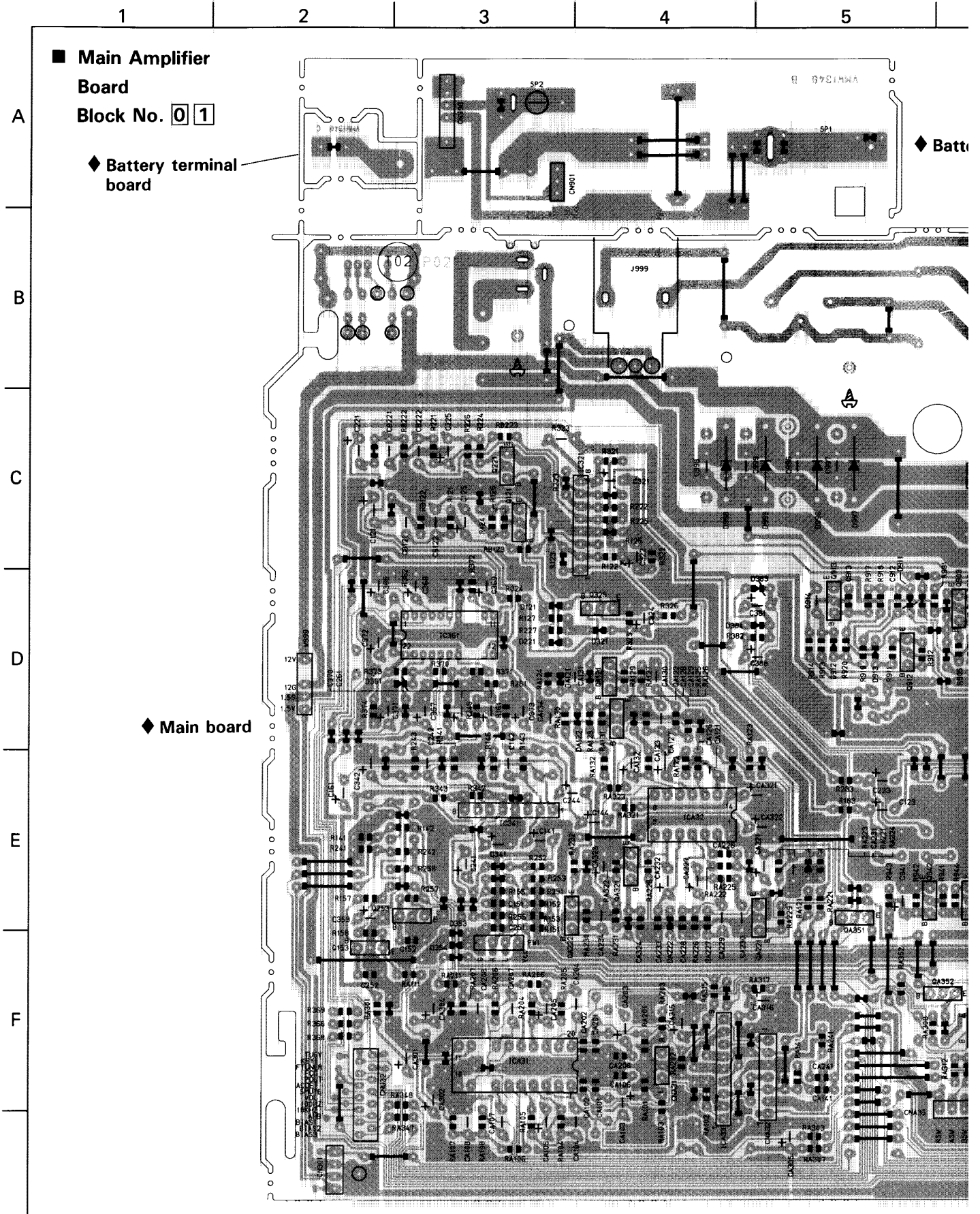
- NOTES
1. VOLTAGES ARE DC-MEASURED WITH A DIGITAL VOLT METER OR OSCILLOSCOPE WITHOUT INPUT SIGNAL. CONDITION : B MEDIA PLAY MODE DC 12V CONDITION : DC IN I I
 2. UNLESS OTHERWISE SPECIFIED - RESISTORS ARE 1/8W ±5% CARBON RESISTOR. ALL RESISTANCE VALUES ARE IN OHM(Ω). ALL CAPACITORS ARE CERAMIC CAPACITOR OR MYLAR CAPACITOR. ALL CAPACITANCE VALUES ARE IN μF(μF)±5%. ALL INDUCTANCE VALUES ARE IN mH(mH). ALL E-CAPACITORS ARE SHOWN IN THE FORM OF CAPACITANCE (μF)/RATED VOLTAGE (V). ALL DIODES ARE 1SS133 OR 1SS254T-77. ALL TRANSISTORS ARE 2SC2785(F)-E.

Note VDH7066001AV

PARTS	J	C	E/EN	B
J999	GMCB251-V01	GMCO263-004	GMCO263-004	
J998		GM4431B-V01		
D995				
T999	VTP57P2-12B	VTP57P2-12B	VTP57P2-12C	
F999	short	OMF51N2-R40J1	short	
F998	OMF0007-SROJ1		OMF51E2-3R15J1	
F997	short	OMF0007-SROJ1	OMF51E2-3R15J1	short
F996	short	OMF0007-SROJ1	short	
R999	short	ORZ0052-4R7		
BB509				
BB321				
P. COND	OMP1350-183J5 or OMP1350-183E	OMP1350-183	OMP1350-183	OMP1350-183

Fig. 7-6

8 Location of P.C. Board Parts and parts List



● Main board parts list

BLOCK NO. 01		BLOCK NO. 02		
A REF.	PARTS NO.	PARTS NAME	REMARKS	SUFFIX
C 101	QET41AM-476	E. CAPACITOR	4.7MF 20% 10V	
C 102	QET41AM-476	E. CAPACITOR	4.7MF 20% 10V	
C 103	QCB11HK-101Y	C. CAPACITOR	100PF 10% 50V	
C 104	QET41CM-476	E. CAPACITOR	4.7MF 20% 16V	
C 107	QET41AM-227	E. CAPACITOR	220MF 20% 10V	
C 108	QET41AM-227	E. CAPACITOR	220MF 20% 10V	
C 109	QCC11EM-104V	C. CAPACITOR	.10MF 20% 25V	
C 110	QCC11EM-104V	C. CAPACITOR	.10MF 20% 25V	
C 111	QET41EM-227	E. CAPACITOR	220MF 20% 25V	
C 121	QET41EM-475	E. CAPACITOR	4.7MF 20% 50V	
C 123	VCE081C-106Z	E. CAPACITOR	4.7MF 20% 50V	
C 125	QET41EM-475	E. CAPACITOR	4.7MF 20% 50V	
C 141	QEK61HM-335ZN	E. CAPACITOR	3.3MF 20% 50V	
C 142	QCS11HJ-470	C. CAPACITOR	4.7PF 5% 50V	
C 144	QET41EM-225ZN	E. CAPACITOR	2.2MF 20% 50V	
C 151	QCB1CM-472Y	C. CAPACITOR	4.700PF 20% 16V	
C 161	QETC1HM-225ZN	E. CAPACITOR	2.2MF 20% 50V	
C 181	QCB1CM-392Y	C. CAPACITOR	3900PF 20% 16V	
C 182	VCE081C-106Z	E. CAPACITOR	4.7MF 20% 50V	
C 221	QET41EM-475	E. CAPACITOR	4.7MF 20% 50V	
C 223	VCE081C-106Z	E. CAPACITOR	4.7MF 20% 50V	
C 225	QET41EM-475	E. CAPACITOR	4.7MF 20% 50V	
C 241	QEK61HM-335ZN	E. CAPACITOR	3.3MF 20% 50V	
C 242	QCS11HJ-470	C. CAPACITOR	4.7PF 5% 50V	
C 244	QETC1HM-225ZN	E. CAPACITOR	2.2MF 20% 50V	
C 251	QCB1CM-472Y	C. CAPACITOR	4.700PF 20% 16V	
C 261	QETC1HM-225ZN	E. CAPACITOR	2.2MF 20% 50V	
C 281	QCB1CM-392Y	C. CAPACITOR	3900PF 20% 16V	
C 282	VCE081C-106Z	E. CAPACITOR	4.7MF 20% 50V	
C 301	QETB1EM-478E	E. CAPACITOR	4.700MF 20% 25V	
C 302	QET41AM-227	E. CAPACITOR	220MF 20% 10V	
C 321	QET41CM-106	E. CAPACITOR	10MF 20% 16V	
C 322	QET41AM-227	E. CAPACITOR	220MF 20% 10V	
C 324	QETC1HM-334ZN	E. CAPACITOR	.53MF 20% 50V	
C 341	QEK41CM-476	E. CAPACITOR	4.7MF 20% 16V	
C 342	QET41AM-107	E. CAPACITOR	100MF 20% 10V	
C 353	QET41EM-475	E. CAPACITOR	4.7MF 20% 50V	
C 365	QET41AM-476	E. CAPACITOR	4.7MF 20% 10V	
C 367	QET41AM-476	E. CAPACITOR	4.7MF 20% 10V	
C 368	QEK41CM-476	E. CAPACITOR	4.7MF 20% 16V	
C 369	QEK41EM-475	E. CAPACITOR	4.7MF 20% 25V	
C 370	QET41EM-475	E. CAPACITOR	4.7MF 20% 50V	
C 371	QET41AM-227	E. CAPACITOR	220MF 20% 10V	
C 372	QET41AM-227	E. CAPACITOR	220MF 20% 10V	
C 373	QET41AM-476	E. CAPACITOR	4.7MF 20% 10V	
C 381	QET41AM-226	E. CAPACITOR	22MF 20% 10V	
C 382	QET41AM-476	E. CAPACITOR	4.7MF 20% 10V	
C 383	QETC1HM-335ZN	E. CAPACITOR	3.3MF 20% 50V	
C 386	QET41AM-107	E. CAPACITOR	100MF 20% 10V	
C 901	QET41AM-107	E. CAPACITOR	100MF 20% 10V	
C 902	QCVB1CN-103Y	M. CAPACITOR	.010MF 30% 16V	
C 903	QCB1CM-222Y	C. CAPACITOR	2200PF 20% 16V	
C 904	QCC11EM-104V	C. CAPACITOR	.10MF 20% 25V	
C 906	QET41AM-227	E. CAPACITOR	220MF 20% 10V	
C 911	QET41AM-107	E. CAPACITOR	100MF 20% 10V	
C 912	QCVB1CN-103Y	M. CAPACITOR	.010MF 30% 16V	
C 913	QCB1CM-222Y	C. CAPACITOR	2200PF 20% 16V	
C 914	QCC11EM-104V	C. CAPACITOR	.10MF 20% 25V	
C 921	QET41AM-226	E. CAPACITOR	22MF 20% 10V	
C 922	QCVB1CN-103Y	M. CAPACITOR	.010MF 30% 16V	
C 923	QCB1HK-331Y	C. CAPACITOR	330PF 10% 50V	
C 924	QCC11EM-683V	C. CAPACITOR	.068MF 20% 25V	
C 925	QFV41HJ-224	F. CAPACITOR	.22MF 5% 50V	
C 931	QCVB1CN-103Y	M. CAPACITOR	.010MF 30% 16V	
C 932	QET41CM-106	E. CAPACITOR	10MF 20% 16V	
C 933	QET41AM-477	E. CAPACITOR	4.70MF 20% 10V	
C 941	QET41AM-226	E. CAPACITOR	22MF 20% 10V	
C 991	QETC1AM-337ZN	E. CAPACITOR	330MF 20% 10V	
C 995	QCVB1CN-103Y	M. CAPACITOR	.010MF 30% 16V	
C 996	QFV71HJ-683ZM	F. CAPACITOR	.068MF 5% 50V	
C 997	QFV71HJ-683ZM	F. CAPACITOR	.068MF 5% 50V	
C 998	QFV71HJ-683ZM	F. CAPACITOR	.068MF 5% 50V	
C 999	QFV71HJ-683ZM	F. CAPACITOR	.068MF 5% 50V	
CA101	QCB1HK-561Y	C. CAPACITOR	560PF 10% 50V	
CA102	QCB1HK-561Y	C. CAPACITOR	560PF 10% 50V	
CA103	QET41AM-107	E. CAPACITOR	100MF 20% 10V	
CA104	QFN41HJ-123	M. CAPACITOR	.012MF 5% 50V	
CA105	QET41HM-105	E. CAPACITOR	1.0MF 20% 50V	
CA106	QCB1HK-151Y	C. CAPACITOR	150PF 10% 50V	
CA107	QFLC1HJ-183ZM	M. CAPACITOR	.018MF 5% 50V	
CA108	QCV41HK-102	C. CAPACITOR	1000PF 10% 50V	
CA121	QETC1HM-335Z	E. CAPACITOR	3.3MF 20% 50V	
CA126	QCS11HJ-220	C. CAPACITOR	22PF 5% 50V	
CA127	QEK61AM-336ZN	E. CAPACITOR	33MF 20% 10V	
CA128	QCB1CM-682Y	C. CAPACITOR	6800PF 20% 16V	
CA129	QFLC1HJ-333ZM	M. CAPACITOR	.033MF 5% 50V	
CA130	QFLC1HJ-223ZM	M. CAPACITOR	.022MF 5% 50V	
CA131	QCC11EM-104V	C. CAPACITOR	.10MF 20% 25V	
CA132	QEK41EM-475	E. CAPACITOR	4.7MF 20% 25V	
CA133	QCB1HK-221Y	C. CAPACITOR	220PF 10% 50V	
CA134	QFN41HJ-123	M. CAPACITOR	.012MF 5% 50V	
CA141	QCB1HK-331Y	C. CAPACITOR	330PF 10% 50V	
CA201	QCB1HK-561Y	C. CAPACITOR	560PF 10% 50V	
CA202	QCB1HK-561Y	C. CAPACITOR	560PF 10% 50V	
CA203	QET41AM-107	E. CAPACITOR	100MF 20% 10V	
CA204	QFN41HJ-123	M. CAPACITOR	.012MF 5% 50V	
CA205	QET41HM-105	E. CAPACITOR	1.0MF 20% 50V	
CA206	QCB1HK-151Y	C. CAPACITOR	150PF 10% 50V	
CA207	QFLC1HJ-183ZM	M. CAPACITOR	.018MF 5% 50V	
CA208	QCV41HK-102	C. CAPACITOR	1000PF 10% 50V	
CA221	QETC1HM-335Z	E. CAPACITOR	3.3MF 20% 50V	
CA226	QCS11HJ-220	C. CAPACITOR	22PF 5% 50V	
CA227	QEK61AM-336ZN	E. CAPACITOR	33MF 20% 10V	
CA228	QCB1CM-682Y	C. CAPACITOR	6800PF 20% 16V	
CA229	QFLC1HJ-333ZM	M. CAPACITOR	.033MF 5% 50V	
CA230	QFLC1HJ-223ZM	M. CAPACITOR	.022MF 5% 50V	
CA231	QCC11EM-104V	C. CAPACITOR	.10MF 20% 25V	
CA232	QEK41EM-475	E. CAPACITOR	4.7MF 20% 25V	
CA233	QCB1HK-221Y	C. CAPACITOR	220PF 10% 50V	
CA234	QFN41HJ-123	M. CAPACITOR	.012MF 5% 50V	

BLOCK NO. 01

BLOCK NO. 01

REF.	PARTS NO.	PARTS NAME	REMARKS	SUFFIX
CA241	0CBB1HK-331Y	C-CAPACITOR	330PF 10% 50V	
CA301	0ET41AM-107	E-CAPACITOR	100MF 20% 10V	
CA302	0ET41AM-476	E-CAPACITOR	47MF 20% 10V	
CA304	0ET41HM-475	E-CAPACITOR	4.7MF 20% 50V	
CA305	0ET41HM-475	E-CAPACITOR	4.7MF 20% 50V	
CA315	0ET41CM-106	E-CAPACITOR	10MF 20% 16V	
CA316	0ET41HM-105	E-CAPACITOR	1.0MF 20% 50V	
CA321	0ET41AM-476	E-CAPACITOR	47MF 20% 10V	
CA322	0ET41AM-476	E-CAPACITOR	47MF 20% 10V	
CA323	0ET41AM-226	E-CAPACITOR	22MF 20% 10V	
CA324	0CVB1CN-103Y	C-CAPACITOR	.010MF 30% 16V	
CA340	0FLC1HJ-104ZM	M-CAPACITOR	1.0MF 5% 50V	
CA341	0ET41CM-106	E-CAPACITOR	10MF 20% 16V	
CA342	0FLC1HJ-473ZM	M-CAPACITOR	.047MF 5% 50V	
CA343	0FN41HJ-103	M-CAPACITOR	.010MF 5% 50V	
CA344	0ETC1HM-104Z	E-CAPACITOR	.10MF 20% 50V	
CA345	0FP32AJ-123ZM	PP-CAPACITOR	.012MF 5% 100V	
CA346	0FN41HJ-222	M-CAPACITOR	2200PF 5% 50V	
CA347	0FP31HJ-102ZM	PP-CAPACITOR	1000PF 5% 50V	
CA348	0CC31EM-393ZV	C-CAPACITOR	.039MF 20% 25V	
CA349	0CVB1CN-103Y	C-CAPACITOR	.010MF 30% 16V	
CA350	0CS11HJ-331	C-CAPACITOR	330PF 5% 50V	
CA353	0FP31HJ-102ZM	PP-CAPACITOR	1000PF 5% 50V	
CA354	0CS11HJ-151	C-CAPACITOR	150PF 5% 50V	
CB102	0ETB1CM-228N	E-CAPACITOR	2200NF 20% 16V	
CB104	0ER41CM-106	E-CAPACITOR	10MF 20% 16V	
CB121	0FLC1HJ-104ZM	M-CAPACITOR	.10MF 5% 50V	
CB122	0FLC1HJ-104ZM	M-CAPACITOR	.10MF 5% 50V	
CB201	0ETB1CM-228N	E-CAPACITOR	2200NF 20% 16V	
CB203	0CBB1HK-101Y	C-CAPACITOR	100PF 10% 50V	
CB204	0ER41CM-106	E-CAPACITOR	10MF 20% 16V	
CB221	0FLC1HJ-104ZM	M-CAPACITOR	.10MF 5% 50V	
CB222	0FLC1HJ-104ZM	M-CAPACITOR	.10MF 5% 50V	
CNA31	TL25V-003	CONNECTOR		
CNA32	VMC0040-007	CONNECTOR		
CNA35	VMC0040-010	CONNECTOR		
CNA36	VMC0166-004Z	CONNECTOR		
CNIJ31	VMC0163-013	CONNECTOR	TO U-COM	
CNIJ32	VMC0163-014	CONNECTOR	TO U-COM	
CNI101	VMC0238-005Z	CONNECTOR	H P	
CN301	VMC0041-004	CONNECTOR	TEST-POINT	
CN302	VMC0166-005Z	CONNECTOR	TO CD	
CN901	TL25V-003	CONNECTOR		
D 121	1SS133	SI DIODE		
D 221	1SS133	SI DIODE		
D 321	1SS133	SI DIODE		
D 351	1SS133	SI DIODE		
D 352	1SS133	SI DIODE		
D 353	1SS133	SI DIODE		
D 354	1SS133	SI DIODE		
D 361	RD5-1J5AB1	ZENER DIODE		
D 381	1SS133	SI DIODE		
D 383	MTZ5-1JB	ZENER DIODE		
D 384	1SS133	SI DIODE		
D 901	MTZ6-8JC	ZENER DIODE		

REF.	PARTS NO.	PARTS NAME	REMARKS	SUFFIX
D 902	1SS133	SI DIODE		
D 903	1SS133	SI DIODE		
D 911	MTZ8-2JAT-77	ZENER DIODE		
D 912	1SS133	SI DIODE		
D 913	1SS133	SI DIODE		
D 921	RD5-6J5AB1	ZENER DIODE		
D 922	1SS133	SI DIODE		
D 931	MTZ5-1JB	ZENER DIODE		
D 935	1SS133	SI DIODE		
D 996	1N5401TM	SI DIODE		
D 997	1N5401TM	SI DIODE		
D 998	1N5401TM	SI DIODE		
D 999	1N5401TM	SI DIODE		
DA121	1SS133	SI DIODE		
DA122	1SS133	SI DIODE		
DA221	1SS133	SI DIODE		
DA222	1SS133	SI DIODE		
DA304	1SS133	SI DIODE		
DA306	1SS133	SI DIODE		
ICA31	LA3246	IC		
ICA32	LA3220	IC		
ICA33	BA3126N	IC		
IC101	TAB229K	IC		
IC321	VC4580L	IC		
IC341	BA15218N	IC		
IC361	CXA1792S	IC		
J 301	VMJ4024-001	JACK		
J 302	VMJ4044-001	SPK TERMINAL		
J 999	QMCB251-V01	AC SOCKET		
J 999	QMC0263-004BS	AC SOCKET		
L 351	VQ70048-009	INDUCTOR		
L 906	VGP0028-100Z	INDUCTOR		
LA341	VQH1009-026	OSC COIL		
Q 121	2SC2785	TRANSISTOR		
Q 153	2SC2001(L,K)	TRANSISTOR		
Q 181	2SC2001(L,K)	TRANSISTOR		
Q 221	2SC2785	TRANSISTOR		
Q 253	2SC2001(L,K)	TRANSISTOR		
Q 281	2SC2001(L,K)	TRANSISTOR		
Q 325	2SC2785	TRANSISTOR		
Q 381	2SA1175	TRANSISTOR		
Q 901	2SB1274(R,S)	TRANSISTOR		
Q 902	2SC2785	TRANSISTOR		
Q 903	2SC2785	TRANSISTOR		
Q 904	2SC2785	TRANSISTOR		
Q 911	2SB772(Q,P)	TRANSISTOR		
Q 912	2SC2785	TRANSISTOR		
Q 913	2SC2785	TRANSISTOR		
Q 921	2SB1274(R,S)	TRANSISTOR		
Q 922	2SC2785	TRANSISTOR		
Q 923	2SC2785	TRANSISTOR		
Q 931	2SB772(Q,P)	TRANSISTOR		
Q 932	2SC2785	TRANSISTOR		
Q 941	2SA1175	TRANSISTOR		
Q 942	2SC2785	TRANSISTOR		

SEA & E VOL AMP

BLOCK NO. 01111111

BLOCK NO. 01111111

REF.	PARTS NO.	PARTS NAME	REMARKS	SUFFIX
Q 991	3A952(L-K)	TRANSISTOR		
Q 995	DTA144ES	TRANSISTOR		
GA121	25C2785	TRANSISTOR	HDUB EQ	
GA122	DTC114TS	TRANSISTOR	REC MUTE	
GA221	25C2785	TRANSISTOR	HDUB EQ	
GA222	DTC114TS	TRANSISTOR	REC MUTE	
GA301	DTC114YS	TRANSISTOR	A/B SW	
GA321	DTC114YS	TRANSISTOR	ALC SW	
GA341	25C945L(P-Q)	TRANSISTOR		
GA342	25C2001(L-K)	TRANSISTOR		
GA343	25C2785	TRANSISTOR		
GA344	25C2785	TRANSISTOR		
GA345	25C2785	TRANSISTOR		
GA347	25C2785	TRANSISTOR		
GA351	DTC144ES	TRANSISTOR		
GA352	25C2785	TRANSISTOR		
GA361	25A952(L-K)	TRANSISTOR		
GA362	DTC114YS	TRANSISTOR		
R 101	QRD161J-331	CARBON RESISTOR	330 5% 1/6W	
R 102	QRD161J-331	CARBON RESISTOR	330 5% 1/6W	
R 106	QRD161J-2R2	CARBON RESISTOR	2.2 5% 1/6W	
R 107	QRD161J-2R2	CARBON RESISTOR	2.2 5% 1/6W	
R 108	QRD161J-121	CARBON RESISTOR	120 5% 1/6W	
R 121	QRD161J-471	CARBON RESISTOR	470 5% 1/6W	
R 124	QRD161J-274	CARBON RESISTOR	270K 5% 1/6W	
R 125	QRD161J-274	CARBON RESISTOR	270K 5% 1/6W	
R 126	QRD161J-103	CARBON RESISTOR	10K 5% 1/6W	
R 127	QRD161J-274	CARBON RESISTOR	270K 5% 1/6W	
R 141	QRD161J-104	CARBON RESISTOR	100K 5% 1/6W	
R 142	QRD161J-473	CARBON RESISTOR	47K 5% 1/6W	
R 143	QRD161J-393	CARBON RESISTOR	39K 5% 1/6W	
R 146	QRD161J-123	CARBON RESISTOR	12K 5% 1/6W	
R 150	QRD161J-101	CARBON RESISTOR	100 5% 1/6W	
R 151	QRD161J-393	CARBON RESISTOR	39K 5% 1/6W	
R 152	QRD161J-183	CARBON RESISTOR	18K 5% 1/6W	
R 153	QRD161J-104	CARBON RESISTOR	100K 5% 1/6W	
R 155	QRD161J-333	CARBON RESISTOR	33K 5% 1/6W	
R 157	QRD161J-682	CARBON RESISTOR	6.8K 5% 1/6W	
R 158	QRD161J-273	CARBON RESISTOR	27K 5% 1/6W	
R 161	QRD161J-222	CARBON RESISTOR	2.2K 5% 1/6W	
R 181	QRD161J-102	CARBON RESISTOR	1.0K 5% 1/6W	
R 183	QRD161J-822	CARBON RESISTOR	8.2K 5% 1/6W	
R 185	QRD161J-392	CARBON RESISTOR	3.9K 5% 1/6W	
R 186	QRD161J-822	CARBON RESISTOR	8.2K 5% 1/6W	
R 187	QRD161J-102	CARBON RESISTOR	1.0K 5% 1/6W	
R 208	QRD161J-121	CARBON RESISTOR	120 5% 1/6W	
R 221	QRD161J-471	CARBON RESISTOR	470 5% 1/6W	
R 224	QRD161J-274	CARBON RESISTOR	270K 5% 1/6W	
R 225	QRD161J-274	CARBON RESISTOR	270K 5% 1/6W	
R 226	QRD161J-103	CARBON RESISTOR	10K 5% 1/6W	
R 227	QRD161J-274	CARBON RESISTOR	270K 5% 1/6W	
R 241	QRD161J-104	CARBON RESISTOR	100K 5% 1/6W	
R 242	QRD161J-473	CARBON RESISTOR	47K 5% 1/6W	
R 243	QRD161J-393	CARBON RESISTOR	39K 5% 1/6W	
R 246	QRD161J-123	CARBON RESISTOR	12K 5% 1/6W	

BLOCK NO. 01111111

BLOCK NO. 01111111

REF.	PARTS NO.	PARTS NAME	REMARKS	SUFFIX
R 250	QRD161J-101	CARBON RESISTOR	100 5% 1/6W	
R 251	QRD161J-393	CARBON RESISTOR	39K 5% 1/6W	
R 252	QRD161J-183	CARBON RESISTOR	18K 5% 1/6W	
R 253	QRD161J-104	CARBON RESISTOR	100K 5% 1/6W	
R 255	QRD161J-333	CARBON RESISTOR	33K 5% 1/6W	
R 257	QRD161J-682	CARBON RESISTOR	6.8K 5% 1/6W	
R 258	QRD161J-273	CARBON RESISTOR	27K 5% 1/6W	
R 261	QRD161J-222	CARBON RESISTOR	2.2K 5% 1/6W	
R 281	QRD161J-102	CARBON RESISTOR	1.0K 5% 1/6W	
R 283	QRD161J-822	CARBON RESISTOR	8.2K 5% 1/6W	
R 285	QRD161J-392	CARBON RESISTOR	3.9K 5% 1/6W	
R 286	QRD161J-822	CARBON RESISTOR	8.2K 5% 1/6W	
R 321	QRD161J-102	CARBON RESISTOR	1.0K 5% 1/6W	
R 322	QRD161J-102	CARBON RESISTOR	1.0K 5% 1/6W	
R 323	QRD161J-2R2	CARBON RESISTOR	2.2 5% 1/6W	
R 324	QRD161J-473	CARBON RESISTOR	47K 5% 1/6W	
R 325	QRD161J-474	CARBON RESISTOR	470K 5% 1/6W	
R 326	QRD161J-103	CARBON RESISTOR	10K 5% 1/6W	
R 341	QRD161J-103	CARBON RESISTOR	10K 5% 1/6W	
R 342	QRD161J-103	CARBON RESISTOR	10K 5% 1/6W	
R 343	QRD161J-101	CARBON RESISTOR	100 5% 1/6W	
R 366	QRD167J-332	CARBON RESISTOR	3.3K 5% 1/6W	
R 368	QRD167J-332	CARBON RESISTOR	3.3K 5% 1/6W	
R 369	QRD167J-332	CARBON RESISTOR	3.3K 5% 1/6W	
R 370	QRD161J-391	CARBON RESISTOR	390 5% 1/6W	
R 371	QRD161J-820	CARBON RESISTOR	82 5% 1/6W	
R 372	QRD161J-164YT	CARBON RESISTOR	160K 5% 1/6W	
R 373	QRD161J-102	CARBON RESISTOR	1.0K 5% 1/6W	
R 374	QRD161J-102	CARBON RESISTOR	1.0K 5% 1/6W	
R 382	QRD161J-561	CARBON RESISTOR	560 5% 1/6W	
R 383	QRD161J-682	CARBON RESISTOR	6.8K 5% 1/6W	
R 384	QRD161J-102	CARBON RESISTOR	1.0K 5% 1/6W	
R 901	QRD161J-471	CARBON RESISTOR	470 5% 1/6W	
R 902	QRD161J-564	CARBON RESISTOR	560K 5% 1/6W	
R 903	QRD161J-471	CARBON RESISTOR	470 5% 1/6W	
R 904	QRD161J-473	CARBON RESISTOR	47K 5% 1/6W	
R 905	QRD167J-682	CARBON RESISTOR	6.8K 5% 1/6W	
R 906	QRD161J-223	CARBON RESISTOR	22K 5% 1/6W	
R 907	QRD161J-102	CARBON RESISTOR	1.0K 5% 1/6W	
R 908	QRD161J-821	CARBON RESISTOR	820 5% 1/6W	
R 909	QRD161J-222	CARBON RESISTOR	2.2K 5% 1/6W	
R 910	QRD161J-104	CARBON RESISTOR	100K 5% 1/6W	
R 911	QRD161J-681	CARBON RESISTOR	680 5% 1/6W	
R 912	QRD161J-564	CARBON RESISTOR	560K 5% 1/6W	
R 913	QRD161J-471	CARBON RESISTOR	470 5% 1/6W	
R 914	QRD161J-473	CARBON RESISTOR	47K 5% 1/6W	
R 917	QRD161J-102	CARBON RESISTOR	1.0K 5% 1/6W	
R 918	QRD161J-122	CARBON RESISTOR	1.2K 5% 1/6W	
R 919	QRD161J-222	CARBON RESISTOR	2.2K 5% 1/6W	
R 920	QRD161J-104	CARBON RESISTOR	100K 5% 1/6W	
R 921	QRD161J-272	CARBON RESISTOR	2.7K 5% 1/6W	
R 923	QRD161J-471	CARBON RESISTOR	470 5% 1/6W	
R 924	QRD161J-224	CARBON RESISTOR	220K 5% 1/6W	
R 925	QRD161J-224	CARBON RESISTOR	220K 5% 1/6W	
R 926	QRD161J-103	CARBON RESISTOR	10K 5% 1/6W	

BLOCK NO. 01111111

REF.	PARTS NO.	PARTS NAME	REMARKS	SUFFIX
RA232	GRD161J-333	CARBON RESISTOR	33K 5% 1/6W	
RA241	GRD167J-562	CARBON RESISTOR	5.6K 5% 1/6W	
RA301	GRD161J-221	CARBON RESISTOR	220 5% 1/6W	
RA303	GRD161J-333	CARBON RESISTOR	33K 5% 1/6W	
RA307	GRD161J-333	CARBON RESISTOR	33K 5% 1/6W	
RA308	GRD161J-473	CARBON RESISTOR	47K 5% 1/6W	
RA309	GRD161J-471	CARBON RESISTOR	470 5% 1/6W	
RA312	GRD161J-103	CARBON RESISTOR	10K 5% 1/6W	
RA315	GRD161J-820	CARBON RESISTOR	82 5% 1/6W	
RA317	GRD161J-272	CARBON RESISTOR	2.7K 5% 1/6W	
RA321	GRD161J-101	CARBON RESISTOR	100 5% 1/6W	
RA322	GRD161J-105	CARBON RESISTOR	1.0M 5% 1/6W	
RA323	GRD161J-472	CARBON RESISTOR	4.7K 5% 1/6W	
RA340	GRD161J-680	CARBON RESISTOR	68 5% 1/6W	
RA341	GRD161J-560	CARBON RESISTOR	56 5% 1/6W	
RA342	GRD161J-101	CARBON RESISTOR	100 5% 1/6W	
RA343	GRD161J-3R9	CARBON RESISTOR	3.9 5% 1/6W	
RA344	GRD161J-155	CARBON RESISTOR	15K 5% 1/6W	
RA345	GRD161J-473	CARBON RESISTOR	47K 5% 1/6W	
RA346	GRD161J-182	CARBON RESISTOR	1.8K 5% 1/6W	
RA347	GRD161J-123	CARBON RESISTOR	12K 5% 1/6W	
RA348	GRD161J-123	CARBON RESISTOR	12K 5% 1/6W	
RA349	GRD161J-473	CARBON RESISTOR	47K 5% 1/6W	
RA350	GRD161J-182	CARBON RESISTOR	1.8K 5% 1/6W	
RA351	GRD161J-103	CARBON RESISTOR	10K 5% 1/6W	
RA352	GRD161J-473	CARBON RESISTOR	47K 5% 1/6W	
RA353	GRD161J-394	CARBON RESISTOR	390K 5% 1/6W	
RA354	GRD161J-473	CARBON RESISTOR	47K 5% 1/6W	
RA356	GRD161J-822	CARBON RESISTOR	8.2K 5% 1/6W	
RA361	GRD161J-272	CARBON RESISTOR	2.7K 5% 1/6W	
RA363	GRD161J-473	CARBON RESISTOR	47K 5% 1/6W	
RB122	GRD167J-682	CARBON RESISTOR	6.8K 5% 1/6W	
RB123	GRD161J-152	CARBON RESISTOR	1.5K 5% 1/6W	
RB202	GRD161J-102	CARBON RESISTOR	1.0K 5% 1/6W	
RB222	GRD167J-682	CARBON RESISTOR	6.8K 5% 1/6W	
RB223	GRD161J-152	CARBON RESISTOR	1.5K 5% 1/6W	
VRA41	QVPA603-223A	SEMI-V.RESISTOR		
VRA61	QVPA603-102	SEMI-V.RESISTOR		

BLOCK NO. 01111111

REF.	PARTS NO.	PARTS NAME	REMARKS	SUFFIX
R 927	GRD161J-822	CARBON RESISTOR	8.2K 5% 1/6W	
R 928	GRD161J-822	CARBON RESISTOR	8.2K 5% 1/6W	
R 929	GRD161J-104	CARBON RESISTOR	100K 5% 1/6W	
R 931	GRD161J-151	CARBON RESISTOR	150 5% 1/6W	
R 932	GRD167J-562	CARBON RESISTOR	5.6K 5% 1/6W	
R 933	GRD167J-682	CARBON RESISTOR	6.8K 5% 1/6W	
R 941	GRD161J-471	CARBON RESISTOR	470 5% 1/6W	
R 942	GRD161J-223	CARBON RESISTOR	22K 5% 1/6W	
R 943	GRD161J-103	CARBON RESISTOR	10K 5% 1/6W	
R 944	GRD161J-103	CARBON RESISTOR	10K 5% 1/6W	
R 991	GRD161J-332	CARBON RESISTOR	1.8K 5% 1/6W	
R 992	GRD167J-332	CARBON RESISTOR	3.3K 5% 1/6W	
R 995	GRD161J-472	CARBON RESISTOR	4.7K 5% 1/6W	
RA101	GRD161J-104	CARBON RESISTOR	100K 5% 1/6W	
RA102	GRD161J-104	CARBON RESISTOR	100K 5% 1/6W	
RA103	GRD161J-560	CARBON RESISTOR	56 5% 1/6W	
RA104	GRD161J-123	CARBON RESISTOR	12K 5% 1/6W	
RA105	GRD161J-153	CARBON RESISTOR	15K 5% 1/6W	
RA106	GRD167J-562	CARBON RESISTOR	5.6K 5% 1/6W	
RA107	GRD161J-153	CARBON RESISTOR	15K 5% 1/6W	
RA108	GRD161J-183	CARBON RESISTOR	18K 5% 1/6W	
RA111	GRD161J-472	CARBON RESISTOR	4.7K 5% 1/6W	
RA121	GRD161J-273	CARBON RESISTOR	27K 5% 1/6W	
RA122	GRD161J-823	CARBON RESISTOR	82K 5% 1/6W	
RA123	GRD161J-681	CARBON RESISTOR	680 5% 1/6W	
RA124	GRD161J-122	CARBON RESISTOR	1.2K 5% 1/6W	
RA125	GRD161J-560	CARBON RESISTOR	56 5% 1/6W	
RA126	GRD161J-561	CARBON RESISTOR	560 5% 1/6W	
RA127	GRD161J-820	CARBON RESISTOR	82 5% 1/6W	
RA128	GRD161J-472	CARBON RESISTOR	4.7K 5% 1/6W	
RA129	GRD161J-103	CARBON RESISTOR	10K 5% 1/6W	
RA130	GRD161J-472	CARBON RESISTOR	4.7K 5% 1/6W	
RA131	GRD161J-392	CARBON RESISTOR	3.9K 5% 1/6W	
RA132	GRD161J-333	CARBON RESISTOR	33K 5% 1/6W	
RA141	GRD167J-562	CARBON RESISTOR	5.6K 5% 1/6W	
RA201	GRD161J-104	CARBON RESISTOR	100K 5% 1/6W	
RA202	GRD161J-104	CARBON RESISTOR	100K 5% 1/6W	
RA203	GRD161J-560	CARBON RESISTOR	56 5% 1/6W	
RA204	GRD161J-123	CARBON RESISTOR	12K 5% 1/6W	
RA205	GRD161J-153	CARBON RESISTOR	15K 5% 1/6W	
RA206	GRD167J-562	CARBON RESISTOR	5.6K 5% 1/6W	
RA207	GRD161J-153	CARBON RESISTOR	15K 5% 1/6W	
RA208	GRD161J-183	CARBON RESISTOR	18K 5% 1/6W	
RA211	GRD161J-472	CARBON RESISTOR	4.7K 5% 1/6W	
RA221	GRD161J-273	CARBON RESISTOR	27K 5% 1/6W	
RA222	GRD161J-823	CARBON RESISTOR	82K 5% 1/6W	
RA223	GRD161J-681	CARBON RESISTOR	680 5% 1/6W	
RA224	GRD161J-122	CARBON RESISTOR	1.2K 5% 1/6W	
RA225	GRD161J-560	CARBON RESISTOR	56 5% 1/6W	
RA226	GRD161J-561	CARBON RESISTOR	560 5% 1/6W	
RA227	GRD161J-820	CARBON RESISTOR	82 5% 1/6W	
RA228	GRD161J-472	CARBON RESISTOR	4.7K 5% 1/6W	
RA229	GRD161J-103	CARBON RESISTOR	10K 5% 1/6W	
RA230	GRD161J-472	CARBON RESISTOR	4.7K 5% 1/6W	
RA231	GRD161J-392	CARBON RESISTOR	3.9K 5% 1/6W	

NOTE

■ CD Amplifier board

Block No. 0 3

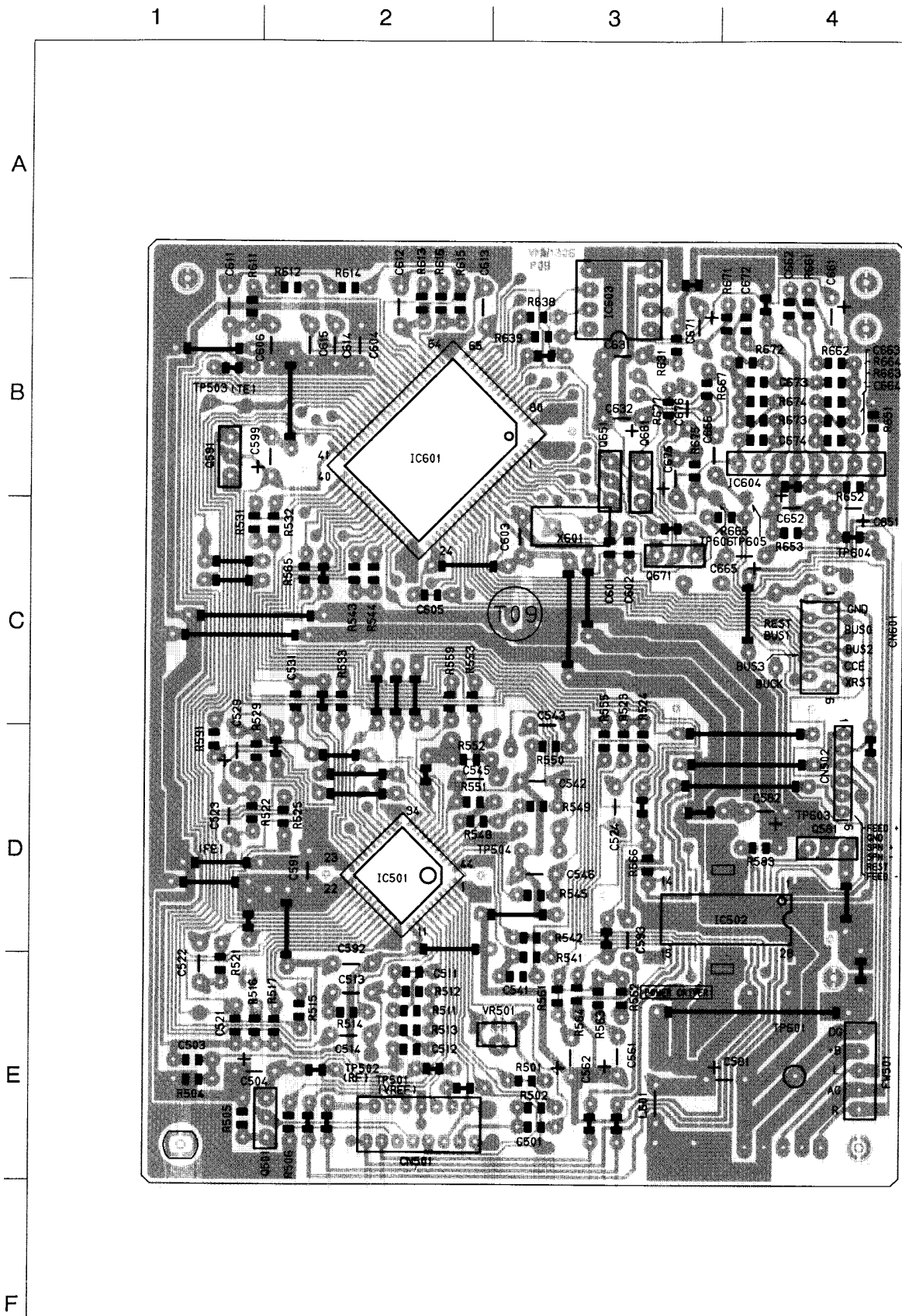


Fig. 8 - 2

● CD Amplifier board parts List

BLOCK NO. 02

REF.	PARTS NO.	PARTS NAME	REMARKS	SUFFIX
IC501	TAB191F	IC	SERVO LSI	
IC502	BA6298FP	IC	POWER DRIVER	
IC601	TC9236AF	IC	1 CHIP PROCESSE	
IC603	TD1311A	IC	D/A CONVERTER	
IC604	BA15218N	IC	L.P.F	
L 601	VP0033-100Z	INDUCTOR	COIL	
Q 501	2SA952(L,K)	TRANSISTOR	5V REGULATOR	
Q 581	2SA952(L,K)	TRANSISTOR		
Q 591	2SA1309(RS)	TRANSISTOR		
Q 651	DTA114TS	TRANSISTOR		
Q 661	DTA114TS	TRANSISTOR		
Q 671	DTA114TS	TRANSISTOR		
R 501	QRD161J-124	CARBON RESISTOR	120K 5% 1/6W	
R 502	QRD161J-103	CARBON RESISTOR	10K 5% 1/6W	
R 504	QRD161J-202	CARBON RESISTOR	2.0K 5% 1/6W	
R 505	QRD161J-200	CARBON RESISTOR	22.5K 1/6W	
R 506	QRD161J-101	CARBON RESISTOR	100 5% 1/6W	
R 511	QRD161J-183	CARBON RESISTOR	18K 5% 1/6W	
R 512	QRD161J-392	CARBON RESISTOR	3.9K 5% 1/6W	
R 513	QRD161J-332	CARBON RESISTOR	3.3K 5% 1/6W	
R 514	QRD161J-472	CARBON RESISTOR	4.7K 5% 1/6W	
R 515	QRD161J-103	CARBON RESISTOR	10K 5% 1/6W	
R 516	QRD161J-103	CARBON RESISTOR	10K 5% 1/6W	
R 517	QRD161J-202	CARBON RESISTOR	2.0K 5% 1/6W	
R 521	QRD161J-154	CARBON RESISTOR	150K 5% 1/6W	
R 522	QRD161J-392	CARBON RESISTOR	3.9K 5% 1/6W	
R 523	QRD161J-472	CARBON RESISTOR	4.7K 5% 1/6W	
R 524	QRD161J-331	CARBON RESISTOR	330 5% 1/6W	
R 525	QRD161J-472	CARBON RESISTOR	4.7K 5% 1/6W	
R 529	QRD161J-562	CARBON RESISTOR	5.6K 5% 1/6W	
R 531	QRD161J-473	CARBON RESISTOR	47K 5% 1/6W	
R 532	QRD161J-104	CARBON RESISTOR	100K 5% 1/6W	
R 533	QRD161J-153	CARBON RESISTOR	15K 5% 1/6W	
R 541	QRD161J-123	CARBON RESISTOR	12K 5% 1/6W	
R 542	QRD161J-332	CARBON RESISTOR	3.3K 5% 1/6W	
R 543	QRD161J-473	CARBON RESISTOR	47K 5% 1/6W	
R 544	QRD161J-223	CARBON RESISTOR	22K 5% 1/6W	
R 545	QRD161J-103	CARBON RESISTOR	10K 5% 1/6W	
R 548	QRD161J-153	CARBON RESISTOR	15K 5% 1/6W	
R 549	QRD161J-821	CARBON RESISTOR	820 5% 1/6W	
R 550	QRD161J-104	CARBON RESISTOR	100K 5% 1/6W	
R 551	QRD161J-223	CARBON RESISTOR	22K 5% 1/6W	
R 552	QRD161J-562	CARBON RESISTOR	5.6K 5% 1/6W	
R 553	QRD161J-821	CARBON RESISTOR	820 5% 1/6W	
R 555	QRD161J-392	CARBON RESISTOR	3.9K 5% 1/6W	
R 559	QRD161J-125	CARBON RESISTOR	1.2M 5% 1/6W	
R 561	QRD161J-562	CARBON RESISTOR	5.6K 5% 1/6W	
R 562	QRD161J-102	CARBON RESISTOR	1.0K 5% 1/6W	
R 563	QRD161J-152	CARBON RESISTOR	1.5K 5% 1/6W	
R 564	QRD161J-332	CARBON RESISTOR	3.3K 5% 1/6W	
R 565	QRD161J-683	CARBON RESISTOR	68K 5% 1/6W	
R 566	QRD161J-273	CARBON RESISTOR	27K 5% 1/6W	
R 583	QRD161J-101	CARBON RESISTOR	100 5% 1/6W	
R 591	QRD161J-473	CARBON RESISTOR	47K 5% 1/6W	
R 611	QRD161J-102	CARBON RESISTOR	1.0K 5% 1/6W	

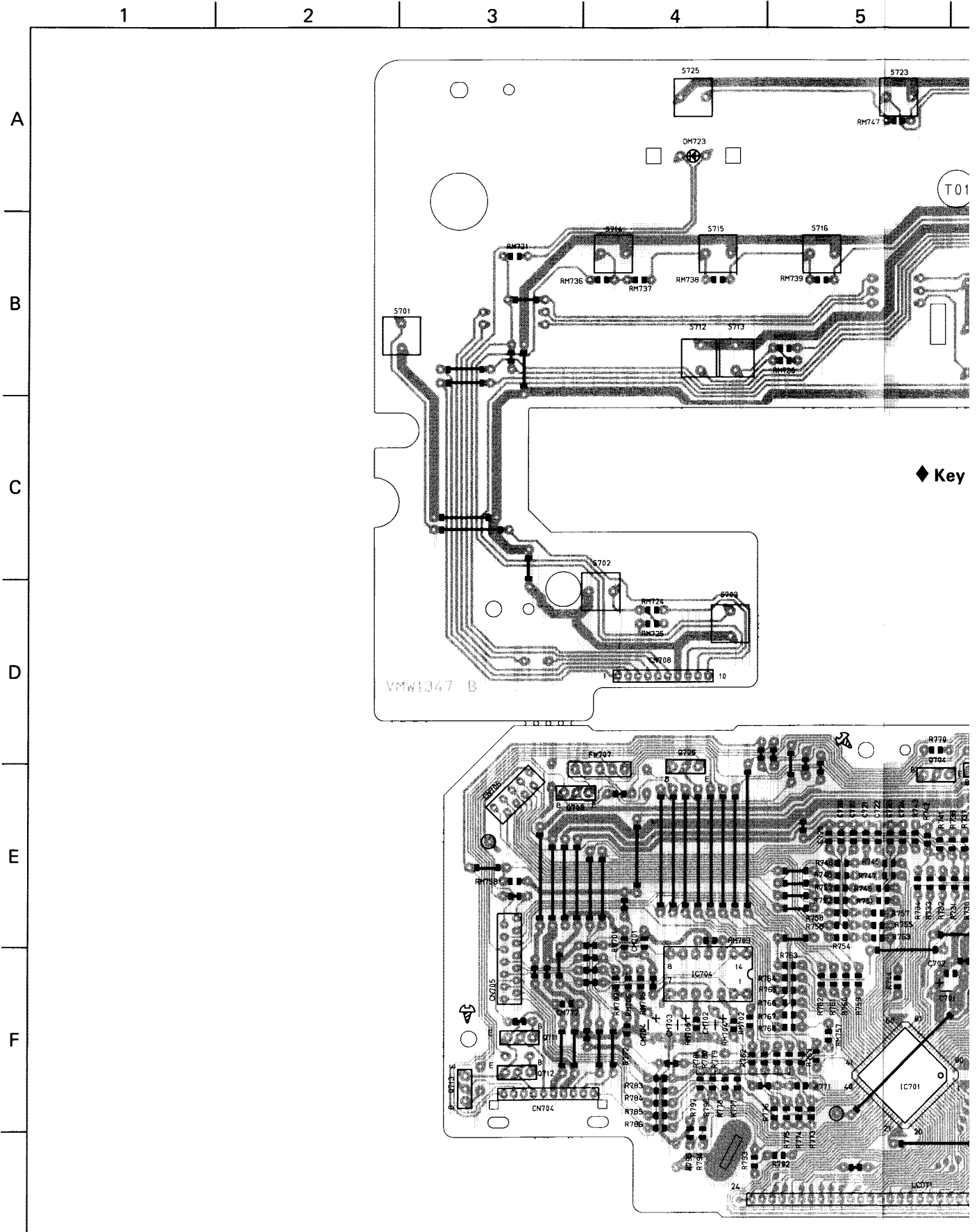
BLOCK NO. 02

REF.	PARTS NO.	PARTS NAME	REMARKS	SUFFIX
C 501	QCBB1HK-821Y	C.CAPACITOR	820PF 10% 50V	
C 503	QCVB1CM-103Y	C.CAPACITOR	.010MF 20% 16V	
C 504	QET41CM-106	E.CAPACITOR	10MF 20% 16V	
C 511	QCSB1HJ-3R9	C.CAPACITOR	3.9PF 10% 50V	
C 512	QCS11HJ-270	C.CAPACITOR	27PF 5% 50V	
C 513	QFLC1HJ-104ZM	M.CAPACITOR	.10MF 5% 50V	
C 514	QFN41HJ-472	M.CAPACITOR	4700PF 5% 50V	
C 521	QCBB1HK-331Y	C.CAPACITOR	330PF 10% 50V	
C 522	QFLC1HJ-475ZM	M.CAPACITOR	.047MF 5% 50V	
C 523	QFV81HJ-154	FILM CAPACITOR	.15NF 5% 50V	
C 524	QEP1EM-475ZM	NP.E.CAPACITOR	4.7MF 20% 25V	
C 529	QETC1AM-336ZN	E.CAPACITOR	33MF 20% 10V	
C 531	QCVB1CM-822Y	C.CAPACITOR	8200PF 20% 16V	
C 541	QCBB1HK-101Y	C.CAPACITOR	100PF 10% 50V	
C 542	QFLC1HJ-103ZM	M.CAPACITOR	.010MF 5% 50V	
C 543	QFLC1HJ-393ZM	M.CAPACITOR	.039MF 5% 50V	
C 545	QEP1EM-105ZM	NP.E.CAPACITOR	1.0MF 20% 50V	
C 546	QFLC1HJ-225ZM	M.CAPACITOR	.022MF 5% 50V	
C 561	QET41AM-476	E.CAPACITOR	47MF 20% 10V	
C 562	QET41HM-475	E.CAPACITOR	4.7MF 20% 50V	
C 581	QET41AM-477	E.CAPACITOR	470MF 20% 10V	
C 582	QER41AM-107	E.CAPACITOR	100MF 20% 10V	
C 591	VCP0012-105Z	C.CAPACITOR		
C 592	VCP0012-105Z	C.CAPACITOR		
C 593	QCC11EM-104V	C.CAPACITOR	.10MF 20% 25V	
C 599	QET41AM-107	E.CAPACITOR	100MF 20% 10V	
C 601	QCS11HJ-330	C.CAPACITOR	FOR CRYSTAL	
C 602	QCS11HJ-330	C.CAPACITOR	FOR CRYSTAL	
C 603	QCC11EM-473V	C.CAPACITOR	.047MF 20% 25V	
C 604	QCC11EM-104V	C.CAPACITOR	.10MF 20% 25V	
C 605	QCVB1CM-103Y	C.CAPACITOR	.010MF 20% 16V	
C 606	QCC11EM-473V	C.CAPACITOR	.047MF 20% 25V	
C 611	QCS11HJ-101	C.CAPACITOR	100PF 5% 50V	
C 612	QFLC1HJ-103ZM	M.CAPACITOR	.010MF 5% 50V	
C 613	QFLC1HJ-103ZM	M.CAPACITOR	.010MF 5% 50V	
C 614	QFN41HJ-332	M.CAPACITOR	3300PF 5% 50V	
C 615	QFN41HJ-332	M.CAPACITOR	3300PF 5% 50V	
C 631	QCC11EM-473V	C.CAPACITOR	.047MF 20% 25V	
C 632	QET41AM-227	E.CAPACITOR	220MF 20% 10V	
C 651	QET41AM-107	E.CAPACITOR	100MF 20% 10V	
C 652	QET41CM-226	E.CAPACITOR	22MF 20% 16V	
C 661	QET41HM-475	E.CAPACITOR	4.7MF 20% 50V	
C 662	QCXB1CM-472V	C.CAPACITOR	4700PF 20% 16V	
C 663	QCVB1CM-822Y	C.CAPACITOR	8200PF 20% 16V	
C 664	QCBB1HK-820Y	C.CAPACITOR	82PF 10% 50V	
C 665	QETC1EM-335ZN	E.CAPACITOR	3.3MF 20% 25V	
C 666	QCC11EM-123V	C.CAPACITOR	.012MF 20% 25V	
C 671	QET41HM-475	E.CAPACITOR	4.7MF 20% 50V	
C 672	QCXB1CM-472V	C.CAPACITOR	4700PF 20% 16V	
C 673	QCC11EM-822Y	C.CAPACITOR	8200PF 20% 16V	
C 674	QCBB1HK-820Y	C.CAPACITOR	82PF 10% 50V	
C 675	QETC1EM-335ZN	E.CAPACITOR	3.3MF 20% 25V	
C 676	QCC11EM-123V	C.CAPACITOR	.012MF 20% 25V	
CN501	VMC0272-015	CONNECTOR	TO PICK UP	
CN501	VMC0163-009	CONNECTOR	TO CPU	

BLOCK NO. 02

A. REF.	PARTS NO.	PARTS NAME	REMARKS	SUFFIX
R 612	ORD161J-103	CARBON RESISTOR	10K 5% 1/6W	
R 613	ORD161J-224	CARBON RESISTOR	220K 5% 1/6W	
R 614	ORD161J-473	CARBON RESISTOR	47K 5% 1/6W	
R 615	ORD161J-225	CARBON RESISTOR	2.2M 5% 1/6W	
R 616	ORD161J-333	CARBON RESISTOR	33K 5% 1/6W	
R 631	ORD161J-820	CARBON RESISTOR	82 5% 1/6W	
R 638	ORD161J-331	CARBON RESISTOR	330 5% 1/6W	
R 639	ORD161J-102	CARBON RESISTOR	1.0K 5% 1/6W	
R 651	ORD161J-820	CARBON RESISTOR	82 5% 1/6W	
R 652	ORD161J-473	CARBON RESISTOR	47K 5% 1/6W	
R 653	ORD161J-473	CARBON RESISTOR	47K 5% 1/6W	
R 661	ORD161J-472	CARBON RESISTOR	4.7K 5% 1/6W	
R 662	ORD167J-562	CARBON RESISTOR	5.6K 5% 1/6W	
R 663	ORD161J-103	CARBON RESISTOR	10K 5% 1/6W	
R 664	ORD161J-103	CARBON RESISTOR	10K 5% 1/6W	
R 665	ORD167J-332	CARBON RESISTOR	3.3K 5% 1/6W	
R 667	ORD161J-122	CARBON RESISTOR	1.2K 5% 1/6W	
R 671	ORD161J-472	CARBON RESISTOR	4.7K 5% 1/6W	
R 672	ORD167J-562	CARBON RESISTOR	5.6K 5% 1/6W	
R 673	ORD161J-103	CARBON RESISTOR	10K 5% 1/6W	
R 674	ORD161J-103	CARBON RESISTOR	10K 5% 1/6W	
R 675	ORD167J-332	CARBON RESISTOR	3.3K 5% 1/6W	
R 677	ORD161J-122	CARBON RESISTOR	1.2K 5% 1/6W	
VR501	QVZ3523-154AZ	V. RESISTOR		
X 601	CSA6.46MT	CERAMIC RESONA	8.46MHZ	

■ System Microprocessor/Key Switch Board Block No. 0 3



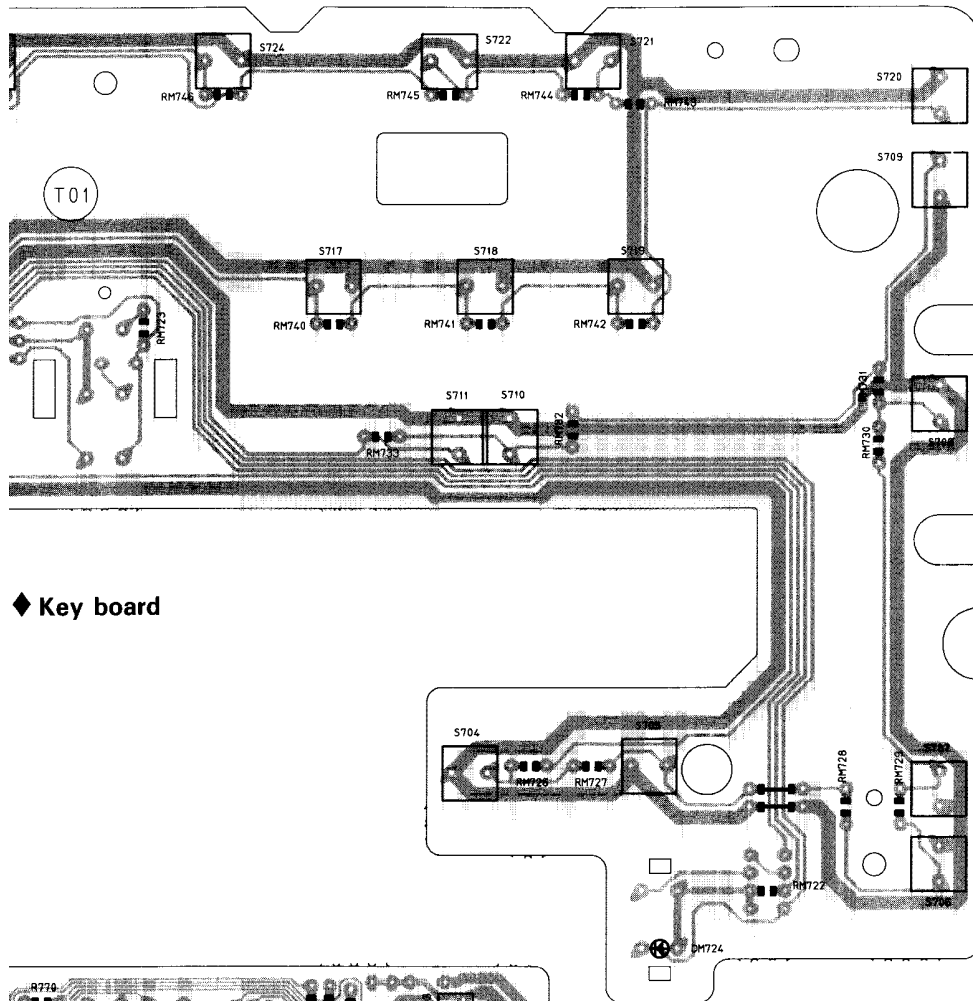
6

7

8

9

10



◆ Key board

◆ System microprocessor board

Back light

Fig. 8-3

● System microprocessor / Key switch board parts list

BLOCK NO. 03		BLOCK NO. 03		
A. REF.	PARTS NO.	PARTS NAME	REMARKS	SUFFIX
BD932	VH7900-002	BUS WIRE		
C 701	QET41AM-227	E. CAPACITOR	220MF 20% 10V	
C 702	QCVB1CM-103Y	C. CAPACITOR	.010MF 20% 16V	
C 704	QFV41HJ-1042M	FILM CAPACITOR	.10MF 5% 50V	
C 705	QCT30CH-160Y	C. CAPACITOR	16PF 5% 50V	
C 706	QCT30CH-160Y	C. CAPACITOR	16PF 5% 50V	
C 707	QCS11HJ-560	C. CAPACITOR	56PF 5% 50V	
C 708	QCSB1HK-620Y	C. CAPACITOR	62PF 5% 50V	
C 709	QCSB1HK-102Y	C. CAPACITOR	1000PF 10% 50V	
C 710	QCSB1HK-102Y	C. CAPACITOR	1000PF 10% 50V	
C 711	QCT30CH-200Y	C. CAPACITOR	20PF 5% 50V	
C 712	QCT30CH-200Y	C. CAPACITOR	20PF 5% 50V	
C 715	QCVB1CM-103Y	C. CAPACITOR	.010MF 20% 16V	
C 716	QET41HM-475	E. CAPACITOR	4.7MF 20% 50V	
C 717	QCVB1CM-103Y	C. CAPACITOR	.010MF 20% 16V	
C 718	QET41AM-476	E. CAPACITOR	4.7MF 20% 10V	
C 719	QCVB1CM-222Y	C. CAPACITOR	2200PF 20% 16V	
C 721	QCVB1CM-103Y	C. CAPACITOR	.010MF 20% 16V	
C 722	QCSB1HK-471Y	C. CAPACITOR	470PF 10% 50V	
C 723	QCSB1HK-471Y	C. CAPACITOR	470PF 10% 50V	
C 724	QCSB1HK-471Y	C. CAPACITOR	470PF 10% 50V	
C 725	QCSB1HK-471Y	C. CAPACITOR	470PF 10% 50V	
C 726	QCSB1HK-471Y	C. CAPACITOR	470PF 10% 50V	
C 727	QCSB1HK-471Y	C. CAPACITOR	470PF 10% 50V	
CM701	QCVB1CM-103Y	C. CAPACITOR	.010MF 20% 16V	
CM702	QET41HM-105	E. CAPACITOR	1.0MF 20% 50V	
CM703	QET41HM-105	E. CAPACITOR	1.0MF 20% 50V	
CM704	QET41HM-105	E. CAPACITOR	1.0MF 20% 50V	
CM705	QET41HM-105	E. CAPACITOR	1.0MF 20% 50V	
CM706	QET41HM-105	E. CAPACITOR	1.0MF 20% 50V	
CM707	VMC0163-R13	CONNECTOR	TO AMP	
CM708	VMC0163-R10	CONNECTOR	TO AMP	
CM709	VMC0161-R12	CONNECTOR	TO CHANGER	
CM704	VMC0192-S10	CONNECTOR	TO SW	
CM705	VMC0163-R14	CONNECTOR	TO AMP	
CM706	VMC0163-R09	CONNECTOR	TO CD	
CM708	VMC0192-P10	CONNECTOR	TO AMP	
D 701	ISS119-02	SI DIODE		
D 702	RB721Q	DIODE		
D 703	MTZ5.1JC	ZENER DIODE		
D 708	1SS119-02	SI DIODE		
DM723	SLR-34VCF25	LED	AHB	
DM724	SLR-34VCF3F	LED	POWER	
IC701	UPD753366C-090	IC	CPU	
IC702	PST600H-T	IC	RESET	
IC703	S8X1790-52	REMOCON SENSOR	REMCON	
IC704	BA10324	IC		
L 701	VGP0028-100Z	INDUCTOR		
L 702	VGP0048-009	INDUCTOR		
LC701	VGL1157-101	LCD		
LM771	VGP0028-100Z	INDUCTOR		
LM772	VGP0018-4R7	INDUCTOR		
Q 701	2SA1175	TRANSISTOR	=R705	
Q 702	2SA1175	TRANSISTOR		
Q 703	2SC2785	TRANSISTOR		
Q 704	DTC114TS	TRANSISTOR		
Q 705	DTC114YS	TRANSISTOR		
Q 706	DTC1144TS	TRANSISTOR		
Q 707	2SA952(L-K)	TRANSISTOR		
Q 708	DTC114YS	TRANSISTOR		
Q 709	DTC1144YS	TRANSISTOR		
R 703	QRD161J-681	CARBON RESISTOR	680 5% 1/6W	
R 704	QRD161J-681	CARBON RESISTOR	680 5% 1/6W	
R 707	QRD161J-222	CARBON RESISTOR	2.2K 5% 1/6W	
R 711	QRD161J-103	CARBON RESISTOR	10K 5% 1/6W	
R 712	QRD161J-473	CARBON RESISTOR	47K 5% 1/6W	
R 713	QRD161J-104	CARBON RESISTOR	100K 5% 1/6W	
R 714	QRD161J-103	CARBON RESISTOR	10K 5% 1/6W	
R 716	QRD161J-103	CARBON RESISTOR	10K 5% 1/6W	
R 721	QRD161J-222	CARBON RESISTOR	2.2K 5% 1/6W	
R 722	QRD161J-472	CARBON RESISTOR	4.7K 5% 1/6W	
R 723	QRD161J-222	CARBON RESISTOR	2.2K 5% 1/6W	
R 724	QRD161J-222	CARBON RESISTOR	2.2K 5% 1/6W	
R 725	QRD161J-222	CARBON RESISTOR	2.2K 5% 1/6W	
R 726	QRD161J-222	CARBON RESISTOR	2.2K 5% 1/6W	
R 727	QRD161J-222	CARBON RESISTOR	2.2K 5% 1/6W	
R 728	QRD161J-222	CARBON RESISTOR	2.2K 5% 1/6W	
R 730	QRD161J-103	CARBON RESISTOR	10K 5% 1/6W	
R 731	QRD161J-103	CARBON RESISTOR	10K 5% 1/6W	
R 732	QRD161J-103	CARBON RESISTOR	10K 5% 1/6W	
R 733	QRD161J-222	CARBON RESISTOR	2.2K 5% 1/6W	
R 734	QRD161J-222	CARBON RESISTOR	2.2K 5% 1/6W	
R 735	QRD161J-102	CARBON RESISTOR	1.0K 5% 1/6W	
R 737	QRD161J-103	CARBON RESISTOR	10K 5% 1/6W	
R 738	QRD161J-103	CARBON RESISTOR	10K 5% 1/6W	
R 739	QRD161J-103	CARBON RESISTOR	10K 5% 1/6W	
R 741	QRD161J-103	CARBON RESISTOR	10K 5% 1/6W	
R 742	QRD161J-102	CARBON RESISTOR	1.0K 5% 1/6W	
R 743	QRD161J-103	CARBON RESISTOR	10K 5% 1/6W	
R 744	QRD161J-222	CARBON RESISTOR	2.2K 5% 1/6W	
R 745	QRD161J-222	CARBON RESISTOR	2.2K 5% 1/6W	
R 746	QRD161J-102	CARBON RESISTOR	1.0K 5% 1/6W	
R 747	QRD161J-102	CARBON RESISTOR	1.0K 5% 1/6W	
R 748	QRD161J-102	CARBON RESISTOR	1.0K 5% 1/6W	
R 749	QRD161J-102	CARBON RESISTOR	1.0K 5% 1/6W	
R 750	QRD161J-102	CARBON RESISTOR	1.0K 5% 1/6W	
R 751	QRD161J-102	CARBON RESISTOR	1.0K 5% 1/6W	
R 752	QRD161J-102	CARBON RESISTOR	1.0K 5% 1/6W	
R 753	QRD161J-102	CARBON RESISTOR	1.0K 5% 1/6W	
R 754	QRD161J-102	CARBON RESISTOR	1.0K 5% 1/6W	
R 755	QRD161J-102	CARBON RESISTOR	1.0K 5% 1/6W	
R 756	QRD161J-102	CARBON RESISTOR	1.0K 5% 1/6W	
R 757	QRD161J-102	CARBON RESISTOR	1.0K 5% 1/6W	
R 758	QRD161J-102	CARBON RESISTOR	1.0K 5% 1/6W	
R 759	QRD161J-222	CARBON RESISTOR	2.2K 5% 1/6W	
R 760	QRD161J-222	CARBON RESISTOR	2.2K 5% 1/6W	
R 761	QRD161J-102	CARBON RESISTOR	1.0K 5% 1/6W	
R 762	QRD161J-103	CARBON RESISTOR	10K 5% 1/6W	
R 763	QRD161J-473	CARBON RESISTOR	47K 5% 1/6W	
R 764	QRD161J-103	CARBON RESISTOR	10K 5% 1/6W	
R 765	QRD161J-103	CARBON RESISTOR	10K 5% 1/6W	

BLOCK NO. 03

BLOCK NO. 03

REF.	PARTS NO.	PARTS NAME	REMARKS	SUFFIX
R 766	QRD161J-222	CARBON RESISTOR	2.2K 5% 1/6W	
R 767	QRD161J-222	CARBON RESISTOR	2.2K 5% 1/6W	
R 768	QRD161J-102	CARBON RESISTOR	1.0K 5% 1/6W	
R 769	QRD161J-102	CARBON RESISTOR	1.0K 5% 1/6W	
R 770	QRD161J-102	CARBON RESISTOR	1.0K 5% 1/6W	
R 771	QRD161J-222	CARBON RESISTOR	2.2K 5% 1/6W	
R 772	QRD161J-104	CARBON RESISTOR	100K 5% 1/6W	
R 773	QRD167J-562	CARBON RESISTOR	5.6K 5% 1/6W	
R 774	QRD167J-562	CARBON RESISTOR	5.6K 5% 1/6W	
R 775	QRD167J-562	CARBON RESISTOR	5.6K 5% 1/6W	
R 776	QRD167J-562	CARBON RESISTOR	5.6K 5% 1/6W	
R 777	QRD167J-562	CARBON RESISTOR	5.6K 5% 1/6W	
R 778	QRD167J-562	CARBON RESISTOR	5.6K 5% 1/6W	
R 779	QRD161J-222	CARBON RESISTOR	2.2K 5% 1/6W	
R 780	QRD161J-104	CARBON RESISTOR	100K 5% 1/6W	
R 781	QRD161J-104	CARBON RESISTOR	100K 5% 1/6W	
R 782	QRD161J-104	CARBON RESISTOR	100K 5% 1/6W	
R 783	QRD161J-102	CARBON RESISTOR	1.0K 5% 1/6W	
R 784	QRD161J-222	CARBON RESISTOR	2.2K 5% 1/6W	
R 785	QRD161J-222	CARBON RESISTOR	2.2K 5% 1/6W	
R 786	QRD161J-222	CARBON RESISTOR	2.2K 5% 1/6W	
R 791	QRD161J-102	CARBON RESISTOR	1.0K 5% 1/6W	
R 792	QRD161J-103	CARBON RESISTOR	10K 5% 1/6W	
R 793	QRD161J-104	CARBON RESISTOR	100K 5% 1/6W	
R 794	QRD161J-104	CARBON RESISTOR	100K 5% 1/6W	
R 795	QRD161J-104	CARBON RESISTOR	100K 5% 1/6W	
R 796	QRD167J-562	CARBON RESISTOR	5.6K 5% 1/6W	
R 797	QRD167J-562	CARBON RESISTOR	5.6K 5% 1/6W	
R 799	QRD161J-223	CARBON RESISTOR	22K 5% 1/6W	
RM701	QRD161J-101	CARBON RESISTOR	100 5% 1/6W	
RM702	QRD161J-103	CARBON RESISTOR	10K 5% 1/6W	
RM703	QRD161J-103	CARBON RESISTOR	10K 5% 1/6W	
RM704	QRD161J-103	CARBON RESISTOR	10K 5% 1/6W	
RM705	QRD167J-562	CARBON RESISTOR	5.6K 5% 1/6W	
RM706	QRD167J-562	CARBON RESISTOR	5.6K 5% 1/6W	
RM707	QRD167J-562	CARBON RESISTOR	5.6K 5% 1/6W	
RM708	QRD161J-473	CARBON RESISTOR	47K 5% 1/6W	
RM721	QRD161J-221	CARBON RESISTOR	220 5% 1/6W	
RM722	QRD161J-271	CARBON RESISTOR	270 5% 1/6W	
RM724	QRD161J-221	CARBON RESISTOR	220 5% 1/6W	
RM725	QRD161J-681	CARBON RESISTOR	680 5% 1/6W	
RM726	QRD161J-821	CARBON RESISTOR	820 5% 1/6W	
RM727	QRD161J-152	CARBON RESISTOR	1.5K 5% 1/6W	
RM728	QRD161J-182	CARBON RESISTOR	1.8K 5% 1/6W	
RM729	QRD161J-222	CARBON RESISTOR	2.2K 5% 1/6W	
RM730	QRD161J-272	CARBON RESISTOR	2.7K 5% 1/6W	
RM731	QRD161J-392	CARBON RESISTOR	3.9K 5% 1/6W	
RM732	QRD167J-562	CARBON RESISTOR	5.6K 5% 1/6W	
RM733	QRD161J-103	CARBON RESISTOR	10K 5% 1/6W	
RM734	QRD161J-153	CARBON RESISTOR	15K 5% 1/6W	
RM735	QRD161J-563	CARBON RESISTOR	56K 5% 1/6W	
RM736	QRD161J-221	CARBON RESISTOR	220 5% 1/6W	
RM737	QRD161J-681	CARBON RESISTOR	680 5% 1/6W	
RM738	QRD161J-821	CARBON RESISTOR	820 5% 1/6W	
RM739	QRD161J-152	CARBON RESISTOR	1.5K 5% 1/6W	

BLOCK NO. 03

REF.	PARTS NO.	PARTS NAME	REMARKS	SUFFIX
RM740	QRD161J-182	CARBON RESISTOR	1.8K 5% 1/6W	
RM741	QRD161J-222	CARBON RESISTOR	2.2K 5% 1/6W	
RM742	QRD161J-272	CARBON RESISTOR	2.7K 5% 1/6W	
RM743	QRD161J-392	CARBON RESISTOR	3.9K 5% 1/6W	
RM744	QRD167J-562	CARBON RESISTOR	5.6K 5% 1/6W	
RM745	QRD161J-103	CARBON RESISTOR	10K 5% 1/6W	
RM746	QRD161J-153	CARBON RESISTOR	15K 5% 1/6W	
RM747	QRD161J-563	CARBON RESISTOR	56K 5% 1/6W	
RM751	QRD161J-273	CARBON RESISTOR	27K 5% 1/6W	
RM752	QRD161J-273	CARBON RESISTOR	27K 5% 1/6W	
RM754	QRD161J-105	CARBON RESISTOR	1.0M 5% 1/6W	
RM755	QRD161J-222	CARBON RESISTOR	2.2K 5% 1/6W	
RM756	QRD161J-104	CARBON RESISTOR	100K 5% 1/6W	
RM757	QRD161J-223	CARBON RESISTOR	22K 5% 1/6W	
RM758	QRD161J-473	CARBON RESISTOR	47K 5% 1/6W	
S 701	QS01A11-V04Z	TACT SWITCH	POWER	
S 702	QS01A11-V04Z	TACT SWITCH	BAND	
S 703	QS01A11-V04Z	TACT SWITCH	PRESET	
S 704	QS01A11-V04Z	TACT SWITCH	DOWN	
S 705	QS01A11-V04Z	TACT SWITCH	UP	
S 706	QS01A11-V04Z	TACT SWITCH	PLAY	
S 707	QS01A11-V04Z	TACT SWITCH	STOP	
S 708	QS01A11-V04Z	TACT SWITCH	OP/CL	
S 709	QS01A11-V04Z	TACT SWITCH	TPOS	
S 710	QS01A11-V04Z	TACT SWITCH	MEMO	
S 711	QS01A11-V04Z	TACT SWITCH	EXTRA	
S 712	QS01A11-V04Z	TACT SWITCH	REPEAT	
S 713	QS01A11-V04Z	TACT SWITCH	DCHECK	
S 714	QS01A11-V04Z	TACT SWITCH	D1	
S 715	QS01A11-V04Z	TACT SWITCH	D2	
S 716	QS01A11-V04Z	TACT SWITCH	D3	
S 717	QS01A11-V04Z	TACT SWITCH	D4	
S 718	QS01A11-V04Z	TACT SWITCH	D5	
S 719	QS01A11-V04Z	TACT SWITCH	D6	
S 720	QS01A11-V04Z	TACT SWITCH	DUB	
S 721	QS01A11-V04Z	TACT SWITCH	TRE	
S 722	QS01A11-V04Z	TACT SWITCH	BASS	
S 723	QS01A11-V04Z	TACT SWITCH	-	
S 724	QS01A11-V04Z	TACT SWITCH	+	
S 725	QS01A11-V04Z	TACT SWITCH	AHB	
X 701	CSA4.19MG933	CERA LOCK	MAIN	
X 702	VCK5000-002	CRYSTAL	32K	

Tuner board

Block No. **04**

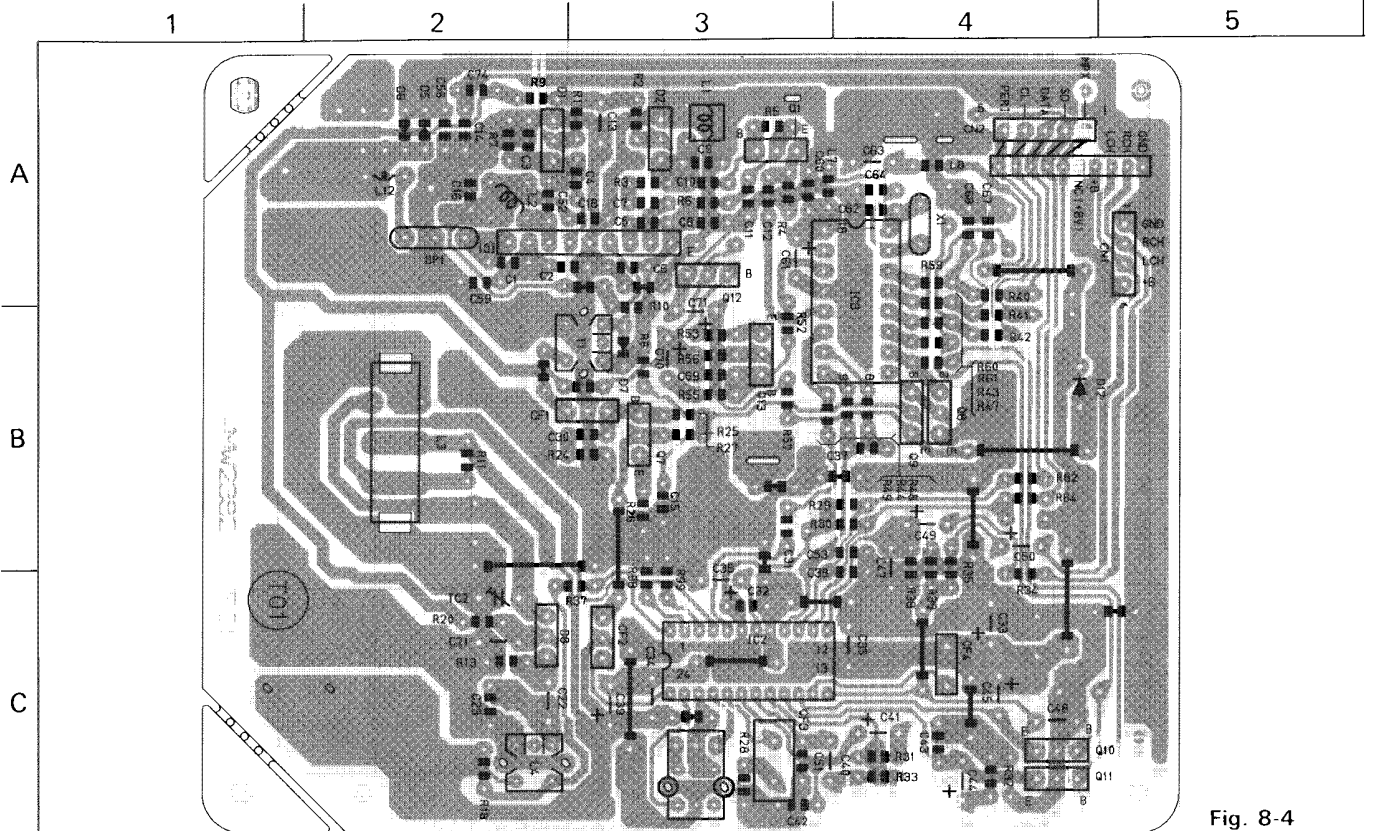


Fig. 8-4

Tuner board parts list

REF.	PARTS NO.	PARTS NAME	REMARKS	SUFFIX
BP	1	VBPA3B-005	BPF	
C	1	0CT30CH-200V	20PF 5% 50V	
C	2	0CBB1HK-102Y	1000PF 10% 50V	
C	3	0CS11HJ-100	10PF 5% 50V	
C	4	0CS11HJ-100	10PF 5% 50V	
C	5	0CT30UJ-180Y	18PF 5% 50V	
C	6	0CVB1CN-103Y	.010MF 30% 16V	
C	7	0CT30CH-200Y	20PF 5% 50V	
C	8	0CVB1CN-103Y	.010MF 30% 16V	
C	9	0CT30UJ-100Y	10PF 5% 50V	
C	10	0CSB1HK-2R2Y	2.2PF 10% 50V	
C	11	0CVB1CN-103Y	.010MF 30% 16V	
C	12	0CBB1HK-151Y	150PF 10% 50V	
C	13	0CC11EM-223V	.022MF 20% 25V	
C	14	0CBB1HK-102Y	1000PF 10% 50V	
C	15	0CVB1CN-103Y	.010MF 30% 16V	
C	16	0CVB1CN-103Y	.010MF 30% 16V	
C	18	0CVB1CN-103Y	.010MF 30% 16V	
C	21	0CC11EM-473V	.047MF 20% 25V	
C	22	0F31HG-4312M	430PF 2% 50V	
C	23	0CT30CH-120Y	12PF 5% 50V	
C	30	0CVB1CN-103Y	.010MF 30% 16V	
C	31	0CVB1CN-103Y	.010MF 30% 16V	
C	32	0CVB1CN-103Y	.010MF 30% 16V	
C	33	0ET41AM-107	100MF 20% 10V	
C	34	0CC11EM-473V	.047MF 20% 25V	
C	35	0CC11EM-473V	.047MF 20% 25V	
C	36	0ET41CM-106	R19	
C	37	0CVB1CN-103Y	.010MF 30% 16V	
C	38	0CBB1HK-102Y	1000PF 10% 50V	
C	39	0ET41CM-106	10MF 20% 16V	
C	40	0CC31EM-3332V	.033MF 20% 25V	
C	41	0ET41CM-106	10MF 20% 16V	
C	42	0CS11HJ-680	68PF 5% 50V	
C	43	0CVB1CN-103Y	.010MF 30% 16V	
C	44	0ET41HM-104Z	.10MF 20% 50V	
C	45	0ET41HM-474	.47MF 20% 50V	
C	47	0CC31EM-1532V	.015MF 20% 25V	
C	48	0CC31EM-1532V	.015MF 20% 25V	
C	49	0ET41HM-105	1.0MF 20% 50V	
C	50	0ET41HM-105	1.0MF 20% 50V	
C	51	0CBB1HK-331Y	330PF 10% 50V	
C	52	0CBB1HK-102Y	1000PF 10% 50V	
C	53	0CS11HJ-150	15PF 5% 50V	
C	56	0CVB1CN-103Y	.010MF 30% 16V	
C	59	0CBB1HK-102Y	1000PF 10% 50V	
C	60	0CBB1HK-102Y	1000PF 10% 50V	
C	61	0ET41AM-107	1000PF 20% 10V	
C	62	0CS11HJ-100	10PF 5% 50V	
C	63	0CC11EM-473V	.047MF 20% 25V	
C	64	0CS11HJ-270	27PF 5% 50V	
C	67	0CBB1HK-101Y	100PF 10% 50V	
C	68	0CBB1HK-151Y	150PF 10% 50V	
C	69	0CXB1CM-222Y	2200PF 20% 16V	

BLOCK NO. 04

REF.	PARTS NO.	PARTS NAME	REMARKS	SUFFIX
C 70	QETCIHM-225ZN	E. CAPACITOR	2.2MF 20% 50V	
C 71	QETCIHM-355Z	E. CAPACITOR	3.3MF 20% 50V	
C 74	QCBBIHK-151Y	C. CAPACITOR	150PF 10% 50V	
CF 1	VCF2L3B-108Z	CERAMIC FILTER		
CF 2	VCF2L3B-108Z	CERAMIC FILTER		
CF 3	VCF12Z-116Z	CERAMIC FILTER		
CF 4	CSB436F29	CERA LOCK		
CN 1	VNC0238-004Z	CONNECTOR	TO MAIN	
CN 2	VNC0238-005Z	CONNECTOR	TO U-COM	
D 1	SVC203SPA-AB-AL	VARI CAP		
D 2	SVC203SPA-AB-AL	VARI CAP		
D 5	1SS133	SI DIODE		
D 6	1SS133	SI DIODE		
D 7	1SS133	SI DIODE		
D 8	SVC344-AA	VARI CAP		
D 12	DSK10C-E	DIODE		
IC 1	TA7358P(N)	IC		
IC 2	TA2057N	IC		
IC 3	TC9216P	IC		
L 1	VGF1B20-017	OSC COIL	FM OSC	
L 2	VGC1505-002	RF COIL	FM RF	
L 3	VGB008M-504	BAR ANTENNA	MW RF	
L 4	VGM7U02-404	OSC COIL (MW)	MW OSC	
L 7	VQP0018-4R7	INDUCTOR		
L 8	VQP0018-221	INDUCTOR		
L 12	V03047-17	COIL	RF COIL	
Q 1	2SC1923	TRANSISTOR		
Q 7	2SC1923	TRANSISTOR		
Q 8	4N4214	TRANSISTOR		
Q 9	DTA114YS	TRANSISTOR		
Q 10	2SA1175	TRANSISTOR		
Q 11	2SA1175	TRANSISTOR		
Q 12	2SC2785	TRANSISTOR		
Q 13	2SC2785	TRANSISTOR		
R 1	ORD161J-104	CARBON RESISTOR	100K 5% 1/6W	
R 2	ORD161J-473	CARBON RESISTOR	47K 5% 1/6W	
R 3	ORD167J-4R7	CARBON RESISTOR	4.7 5% 1/6W	
R 4	ORD161J-102	CARBON RESISTOR	1.0K 5% 1/6W	
R 5	ORD161J-823	CARBON RESISTOR	82K 5% 1/6W	
R 6	ORD161J-101	CARBON RESISTOR	100 5% 1/6W	
R 7	ORD161J-104	CARBON RESISTOR	100K 5% 1/6W	
R 8	ORD161J-101	CARBON RESISTOR	100 5% 1/6W	
R 9	ORD161J-101	CARBON RESISTOR	100 5% 1/6W	
R 10	ORD161J-101	CARBON RESISTOR	100 5% 1/6W	
R 11	ORD167J-332	CARBON RESISTOR	FOR J	
R 13	ORD161J-104	CARBON RESISTOR	100K 5% 1/6W	
R 18	ORD161J-102	CARBON RESISTOR	1.0K 5% 1/6W	
R 20	ORD161J-102	CARBON RESISTOR	1.0K 5% 1/6W	
R 24	ORD161J-331	CARBON RESISTOR	330 5% 1/6W	
R 25	ORD161J-334	CARBON RESISTOR	330K 5% 1/6W	
R 26	ORD161J-100	CARBON RESISTOR	=BC7	
R 27	ORD161J-331	CARBON RESISTOR	330 5% 1/6W	
R 28	ORD161J-271	CARBON RESISTOR	270 5% 1/6W	
R 29	ORD161J-103	CARBON RESISTOR	10K 5% 1/6W	
R 30	ORD161J-103	CARBON RESISTOR	10K 5% 1/6W	

REF.	PARTS NO.	PARTS NAME	REMARKS	SUFFIX
R 31	ORD161J-393	CARBON RESISTOR	39K 5% 1/6W	
R 32	ORD161J-223	CARBON RESISTOR	22K 5% 1/6W	
R 33	ORD161J-333	CARBON RESISTOR	33K 5% 1/6W	
R 34	ORD161J-222	CARBON RESISTOR	2.2K 5% 1/6W	
R 35	ORD161J-222	CARBON RESISTOR	2.2K 5% 1/6W	
R 37	ORD161J-560	CARBON RESISTOR	56 5% 1/6W	
R 38	ORD161J-392	CARBON RESISTOR	3.9K 5% 1/6W	
R 39	ORD161J-392	CARBON RESISTOR	3.9K 5% 1/6W	
R 40	ORD161J-222	CARBON RESISTOR	2.2K 5% 1/6W	
R 41	ORD161J-222	CARBON RESISTOR	2.2K 5% 1/6W	
R 42	ORD161J-222	CARBON RESISTOR	2.2K 5% 1/6W	
R 43	ORD161J-103	CARBON RESISTOR	10K 5% 1/6W	
R 44	ORD161J-183	CARBON RESISTOR	18K 5% 1/6W	
R 47	ORD161J-103	CARBON RESISTOR	10K 5% 1/6W	
R 48	ORD161J-331	CARBON RESISTOR	330 5% 1/6W	
R 49	ORD161J-102	CARBON RESISTOR	1.0K 5% 1/6W	
R 52	ORD161J-472	CARBON RESISTOR	4.7K 5% 1/6W	
R 53	ORD161J-471	CARBON RESISTOR	470 5% 1/6W	
R 54	ORD161J-222	CARBON RESISTOR	2.2K 5% 1/6W	
R 55	ORD161J-222	CARBON RESISTOR	2.2K 5% 1/6W	
R 56	ORD167J-332	CARBON RESISTOR	3.3K 5% 1/6W	
R 57	ORD161J-102	CARBON RESISTOR	1.0K 5% 1/6W	
R 59	ORD161J-222	CARBON RESISTOR	2.2K 5% 1/6W	
R 60	ORD161J-222	CARBON RESISTOR	2.2K 5% 1/6W	
R 61	ORD161J-222	CARBON RESISTOR	2.2K 5% 1/6W	
R 62	ORD161J-102	CARBON RESISTOR	1.0K 5% 1/6W	
R 64	ORD161J-102	CARBON RESISTOR	1.0K 5% 1/6W	
R 98	ORD161J-103	CARBON RESISTOR	10K 5% 1/6W	
R 99	ORD161J-822	CARBON RESISTOR	8.2K 5% 1/6W	
T 1	VQ17F12-110	IFT	FM IF	
T 2	VQ17A21-107	IFT		
TC 2	QAT3722-200ZM	T-CAPACITOR	MW RF	
TP 1	VMZ0015-002	POST PIN	TO ROD ANT	
X 1	V472124-A0	CRYSTAL		

■ CD Changer microprocessor board

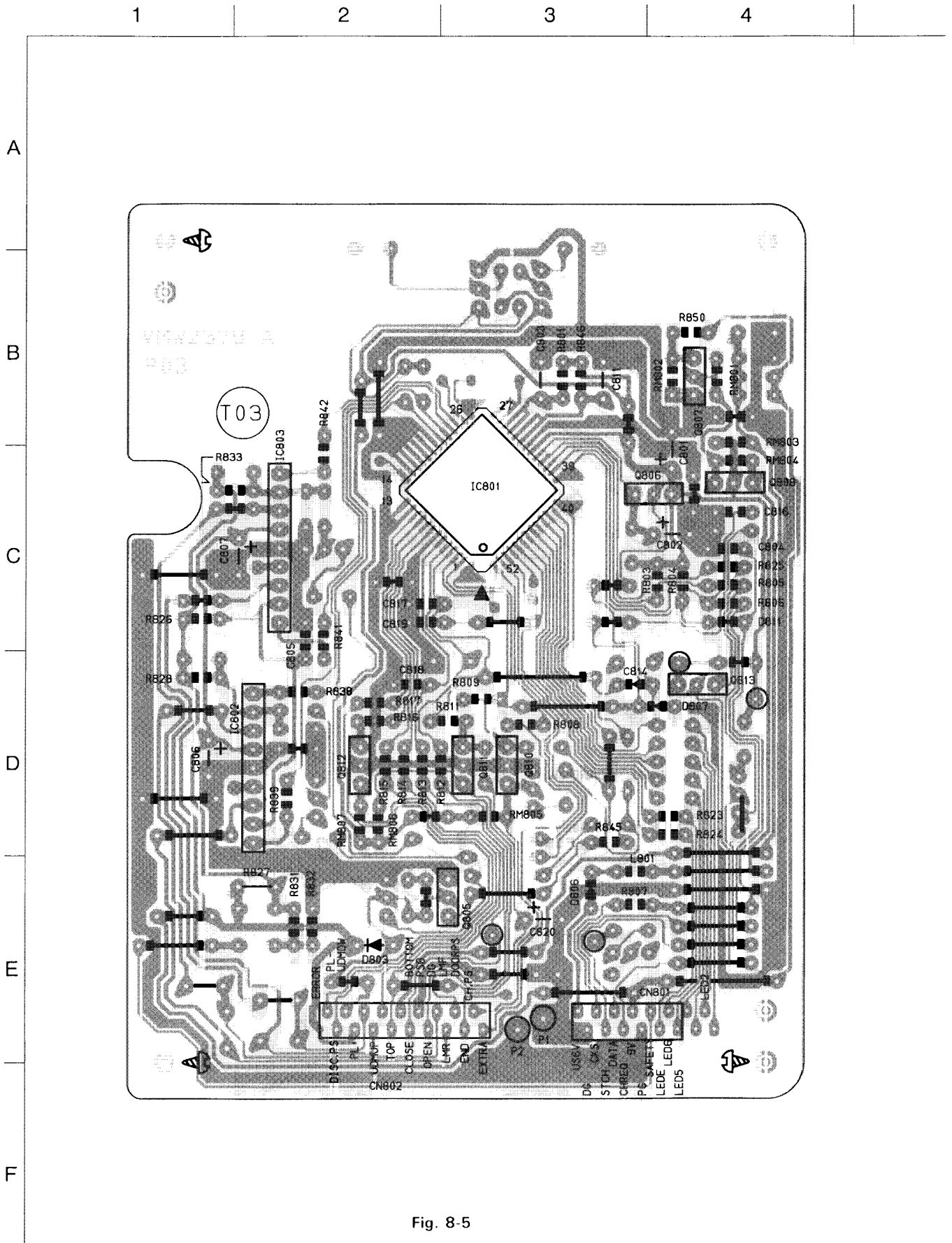
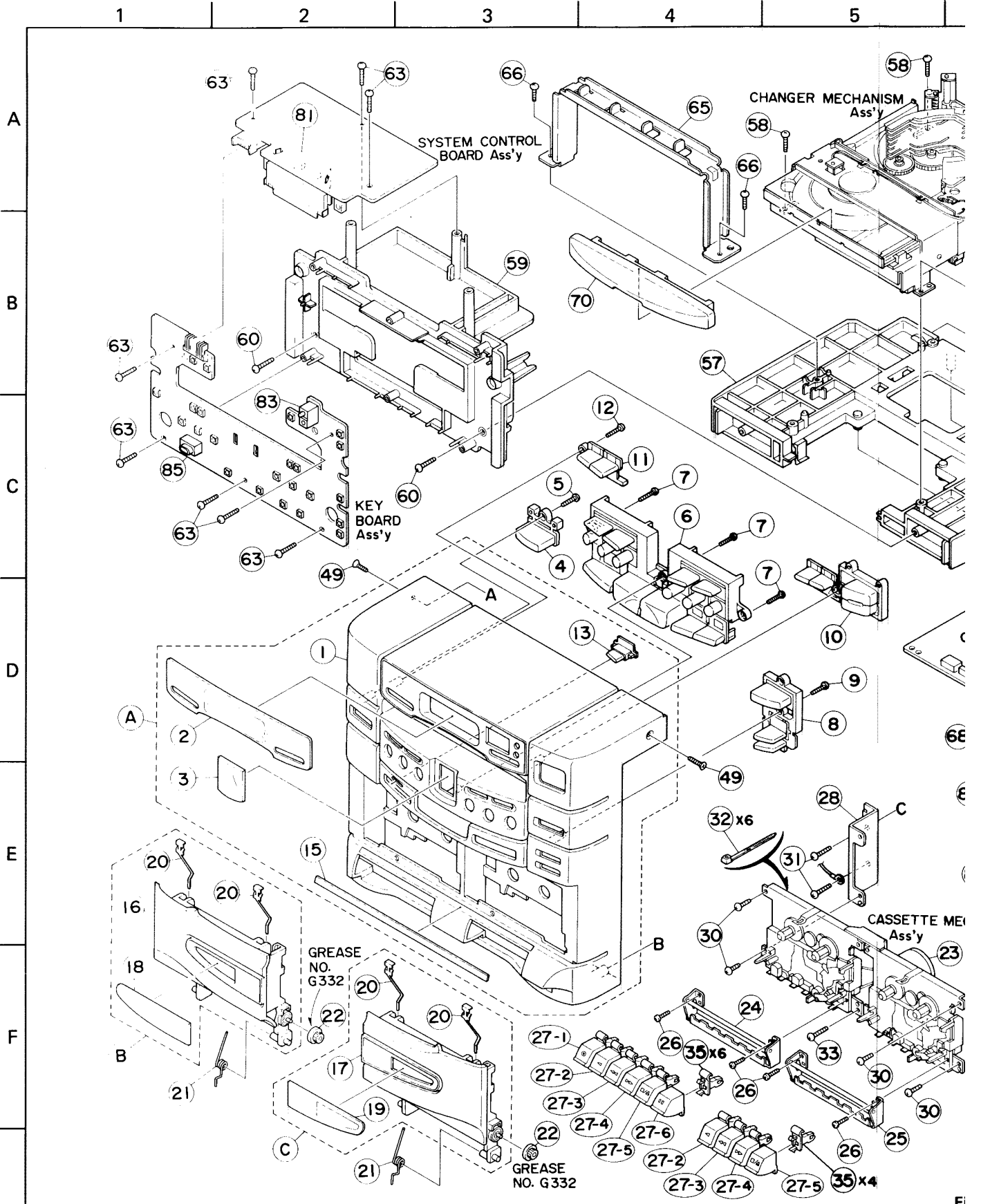


Fig. 8-5

● CD Changer microprocessor board parts list

BLOCK NO. 05		BLOCK NO. 05		BLOCK NO. 05	
REF.	PARTS NO.	PARTS NAME	REMARKS	SUFFIX	
C 801	9EK61AM-1077M	E-CAPACITOR	100MF 20% 10V		
C 802	9EK41EM-475	E-CAPACITOR	4.7MF 20% 25V		
C 803	9FN41HJ-102	M-CAPACITOR	1000PF 5% 50V		
C 804	9CS11HJ-470	C-CAPACITOR	47PF 5% 50V		
C 805	9CVB1CM-103Y	C-CAPACITOR	.010MF 20% 16V		
C 806	9EK41CM-476	E-CAPACITOR	47MF 20% 16V		
C 807	9EK41CM-476	E-CAPACITOR	47MF 20% 16V		
C 811	9FN41HJ-102	M-CAPACITOR	1000PF 5% 50V		
C 813	9CBB1HK-102Y	C-CAPACITOR	1000PF 10% 50V		
C 816	9CBB1HK-102Y	C-CAPACITOR	1000PF 10% 50V		
C 817	9CVB1CM-103Y	C-CAPACITOR	.010MF 20% 16V		
C 818	9CFB1HZ-104Y	C-CAPACITOR	.10MF +80% -20%		
C 819	9CVB1CM-103Y	C-CAPACITOR	.010MF 20% 16V		
C 820	9EK41HM-225	E-CAPACITOR	2.2MF 20% 50V		
CN801	VMC0161-R12	CONNECTOR	TO U-COM		
CN802	VMC0163-R18	CONNECTOR	TO CD MECHA		
D 803	1SR35-100	SI DIODE			
D 806	1SS133	SI DIODE			
D 807	1SS133	SI DIODE			
D 808	1SS133	SI DIODE			
IC801	UPD6512GC-088	IC	5V-17V ₁		
IC802	TA8409S	IC			
IC803	TA8409S	IC			
L 801	VG0018-100	INDUCTOR			
Q 805	2SC2001(L,K)	TRANSISTOR			
Q 806	DTA143ES	TRANSISTOR			
Q 807	2SC1740S(R,S)	TRANSISTOR			
Q 808	2SA1317	TRANSISTOR			
Q 810	2SA1317	TRANSISTOR			
Q 811	2SA1317	TRANSISTOR			
Q 812	2SA1317	TRANSISTOR			
Q 813	2SC1740S(R,S)	TRANSISTOR			
R 801	9RD161J-105	CARBON RESISTOR	1.0M 5% 1/6W		
R 805	9RD161J-471	CARBON RESISTOR	470 5% 1/6W		
R 806	9RD161J-471	CARBON RESISTOR	470 5% 1/6W		
R 807	9RD161J-471	CARBON RESISTOR	470 5% 1/6W		
R 808	9RD161J-102	CARBON RESISTOR	1.0K 5% 1/6W		
R 809	9RD161J-681	CARBON RESISTOR	680 5% 1/6W		
R 811	9RD161J-681	CARBON RESISTOR	680 5% 1/6W		
R 812	9RD161J-102	CARBON RESISTOR	1.0K 5% 1/6W		
R 813	9RD161J-102	CARBON RESISTOR	1.0K 5% 1/6W		
R 814	9RD161J-102	CARBON RESISTOR	1.0K 5% 1/6W		
R 815	9RD161J-102	CARBON RESISTOR	1.0K 5% 1/6W		
R 816	9RD161J-681	CARBON RESISTOR	680 5% 1/6W		
R 817	9RD161J-102	CARBON RESISTOR	1.0K 5% 1/6W		
R 823	9RD161J-223	CARBON RESISTOR	22K 5% 1/6W		
R 824	9RD161J-223	CARBON RESISTOR	22K 5% 1/6W		
R 825	9RD161J-471	CARBON RESISTOR	470 5% 1/6W		
R 826	9RD161J-181	CARBON RESISTOR	180 5% 1/6W		
R 827	9RZ0076-100X	FUSI RESISTOR	10 1/0W		
R 828	9RD161J-102	CARBON RESISTOR	1.0K 5% 1/6W		
R 833	9RD161J-102	CARBON RESISTOR	1.0K 5% 1/6W		
R 838	9RD161J-102	CARBON RESISTOR	1.0K 5% 1/6W		
R 839	9RD161J-102	CARBON RESISTOR	1.0K 5% 1/6W		
R 844	9RD161J-102	CARBON RESISTOR	1.0K 5% 1/6W		

9 Exploded View of Enclosure Component Parts Receiver Section Bloc



6

7

8

9

10

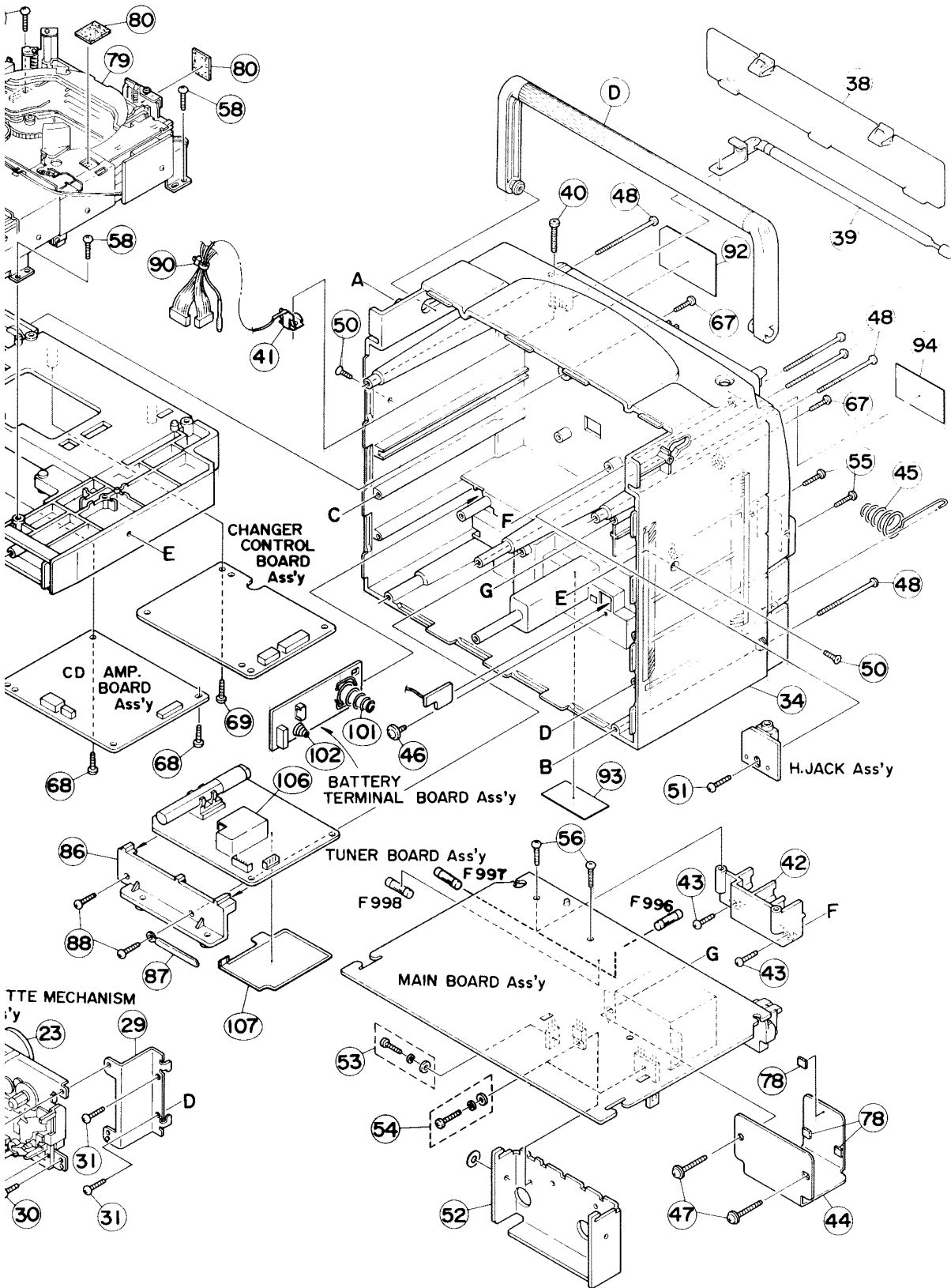


Fig. 9-1

● Enclosure component parts list

BLOCK NO. M1MM [] [] [] []

△	REF.	PARTS NO.	PARTS NAME	REMARKS	QTY	SUFFIX	CLR
	A	ZCPRXC30J-FB	FRONT CABINET	1-3,13,15	1		
	B	ZCPRXC30K-CBA	CASSETTE DOOR	16,18,20	1		
	C	ZCPRXC30K-CBB	CASSETTE DOOR	17,19-20,	1		
	D	PCXC50K-HANDLE	HANDLE		1		
	1	VJG1287-001UL	FRONT PANEL		1		
	2	VJD3973-004	LCD PLATE		1		
	3	VJD5451-002	CD LENS		1		
	4	VXP5245-001	PUSH KNOB	POWER	1		
	5	SBSF2608Z	SCREW		1		
	6	VXP2088-002	PUSH KNOB	1-6.VOL.BAS/TRE	1		
	7	SBSF2608Z	SCREW		3		
	8	VXP3653-001	PUSH KNOB	TAPE.SPEED.OPEN	1		
	9	SBSF2608Z	SCREW		1		
	10	VXP3660-001	PUSH KNOB	PLAY/PAUSE	1		
	11	VXP5247-001	PUSH KNOB	TUNER UP/DOWN	1		
	12	SBSF2608Z	SCREW		1		
	13	VJK4424-001	AHB LENS		1		
	15	VJD3971-001	CONTROL PLATE		1		
	16	VJT2341-003	CASSETTE DOOR(L)		1		
	17	VJT2341-004	CASSETTE DOOR(R)		1		
	18	VJT4214-001	DOOR LENS(L)		1		
	19	VJT4214-002	DOOR LENS(R)		1		
	20	VKY4180-001	CASSETTE SPRING		4		
	21	VKW5127-002	DOOR SPRING		2		
	22	VYH5601-001	GEAR		2		
	23	-----	XC30 C.MECHA	PC-X130 MECHA	1		
	24	182131301ZT	BUTTON FRAME		1		
	25	182131307ZT	BUTTON FLAME		1		
	26	99991402T	MINI SCREW		4		
	27-1	VXP3348-201	MECHA BUTTON	REC	1		
	27-2	VXP3348-203	MECHA BUTTON	PLAY	2		
	27-3	VXP3348-204	MECHA BUTTON	REW	2		
	27-4	VXP3348-205	MECHA BUTTON	FF	2		
	27-5	VXP3348-206	MECHA BUTTON	STOP/EJECT	2		
	27-6	VXP3348-207	MECHA BUTTON	PAUSE	1		
	28	VKL7725-001	MECHA BRACKET		1		
	29	VKL7725-002	MECHA BRACKET		1		
	30	SBST3006Z	SCREW	MECHA BKT+MECHA	4		
	31	SBSF3010Z	SCREW	MECHA BKT+REAR	4		
	32	QHX5080-001	WIRE CLAMP		6		
	33	SBSF3010Z	SCREW	MECHA+REAR	1		
	34	VJG1288-005UL	REAR CABINET		1		
	35	18213107T	OPRATION LEVER		10		
	38	VJC2016-023SS	BATTERY COVER		1		
	39	VJA3036-00A	ROD ANT ASS'Y		1		
	40	SDSP3020N	SCREW	ANT	1		
	41	VYH6739-001	TERMINAL LUG		1		
	42	VYH3830-001	AC HOLDER		1		
	43	SBSF3010Z	SCREW	AC HOL+REAR CAB	2		
	44	VYH7888-001	SHIELD	TRANS	1		
	45	VYH5657-001	BATTERY SPRING	BATTERY	1		
	46	E65923-003	TAPPING SCREW		1		
	47	SBSF4020Z	SCREW	TRANS	2		
	48	SBSF3050Z	SCREW	FRONT+REAR	5		
	49	SSSF3010M	SCREW	FRONT+HANDLE	2		

BLOCK NO. M1MM | | |

Δ	REF.	PARTS NO.	PARTS NAME	REMARKS	QTY	SUFFIX	CLR
	50	SSSF3010M	SCREW	REAR+CHASSIS	2		
	51	SBSF3010Z	SCREW	REAR+H.P PWB	1		
	52	VYH3827-002	HEAT SINK		1		
	53	DPSP3010Z	SCREW	IC	1		
	54	SBSF3010Z	SCREW		2		
	55	SBSF3010Z	SCREW	SP TARMINAL	2		
	56	SBSF3010Z	SCREW	AC HOL+PWB	2		
	57	VYH1244-001	CHASSIS		1		
	58	SBSF3010Z	SCREW	CHASSIS+CD MECH	4		
	59	VYH1245-001	SUB CHASSIS		1		
	60	SBSF3010Z	SCREW	CHASSIS+S.CHASS	2		
	63	SBSF3010Z	SCREW	MICON PWB+S.CHA	8		
	65	VYH3832-001	SUPPORTER		1		
	66	SBSF3010Z	SCREW	SUPPORTER+CHASS	2		
	67	SBSF3010Z	SCREW	REAR+CHASSIS	2		
	68	SBSF3010Z	SCREW	CD PWB+CHASSI	2		
	69	SBSF3010Z	SCREW	CHANGER PWB+CHA	1		
	70	VJD3972-001	TRAY FITTING		1		
	78	PU59915-105	SPACER	TRANS+SHIELD	1		
	79	-----	CHANGER MECHA		1		
	80	VYSA1R6-049	SPACER		2		
	81	VYH3828-001	LCD HOLDER		1		
	83	VYH7892-001	LED HOLDER	POWER/STANDBY	1		
	85	VYH7894-002	LED HOLDER	AHB	1		
	86	VYH3829-001	HOLDER	TUNER HOLDER	1		
	87	VKZ4001-110	WIRE CLAMP		1		
	88	SBSF3012Z	SCREW	HOLDER+REAR	2		
	90	QHX5080-001	WIRE CLAMP		1		
	92	VYN7066-M006T	NAME PLATE		1	J	
		VYN7066-M004T	NAME PLATE		1	C	
	93	VND5008-001	FCC LABEL(4)		1		
	94	VND5001-002	HHS LABEL	JEM -007	1		
	F 996	QMF0007-5R0J1	FUSE		1	C	
	F 997	QMF0007-5R0J1	FUSE		1		
	F 998	QMF0007-5R0J1	FUSE		1		
	F 999	QMF51N2-R40J1	FUSE		1	C	
	T 999	VTP57P2-12B	POWER TRANS.		1		
	101	VYH5483-101	SPRING	FOR UM-1	1		
	102	VYH6889-002	BATT.SPRING	FOR UM-3	1		
	106	VMA4589-002	SHIELD CASE		1		
	107	VMA4572-002	SHIELD		1		

■ Speaker box section

Block No. **M** **2**

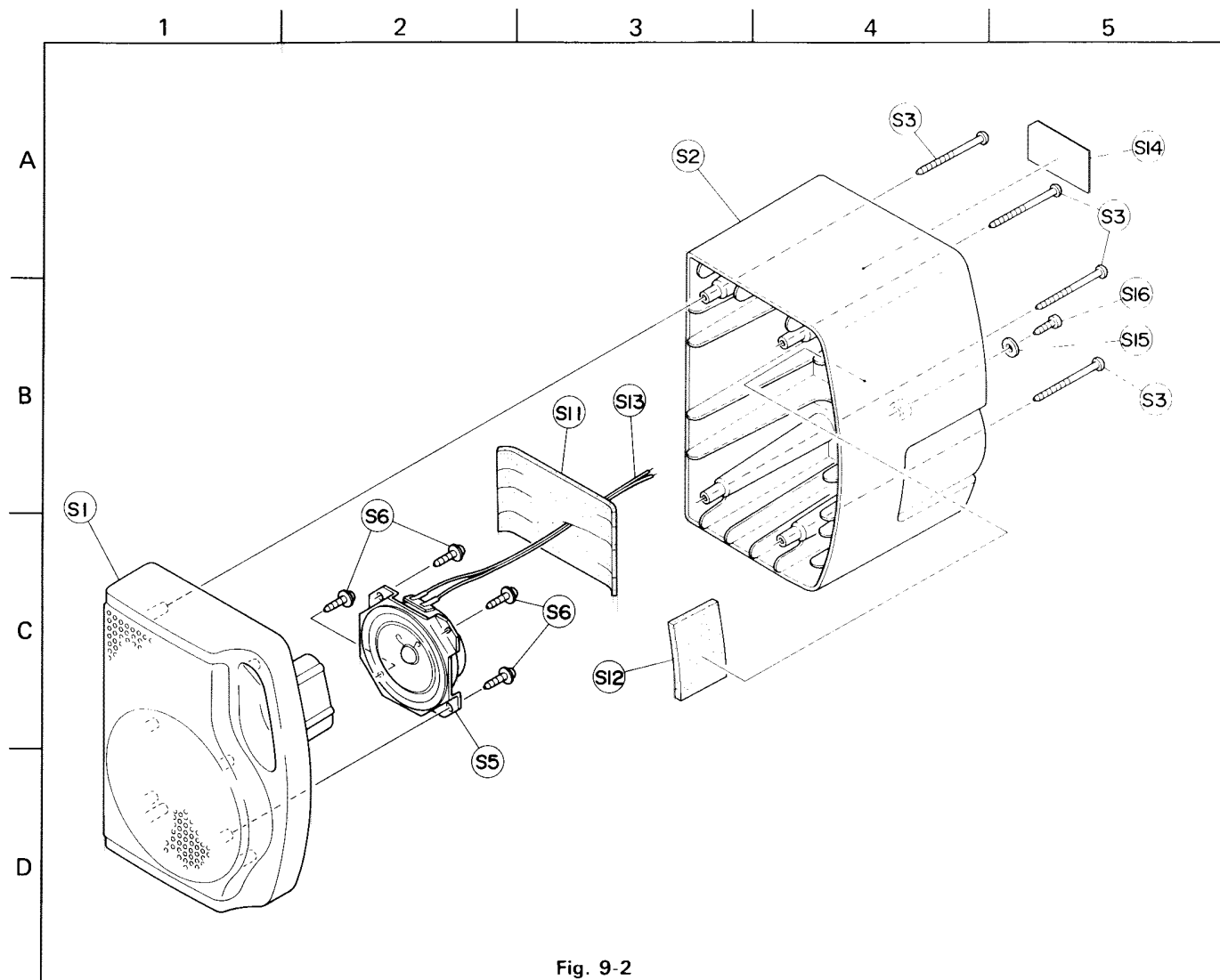


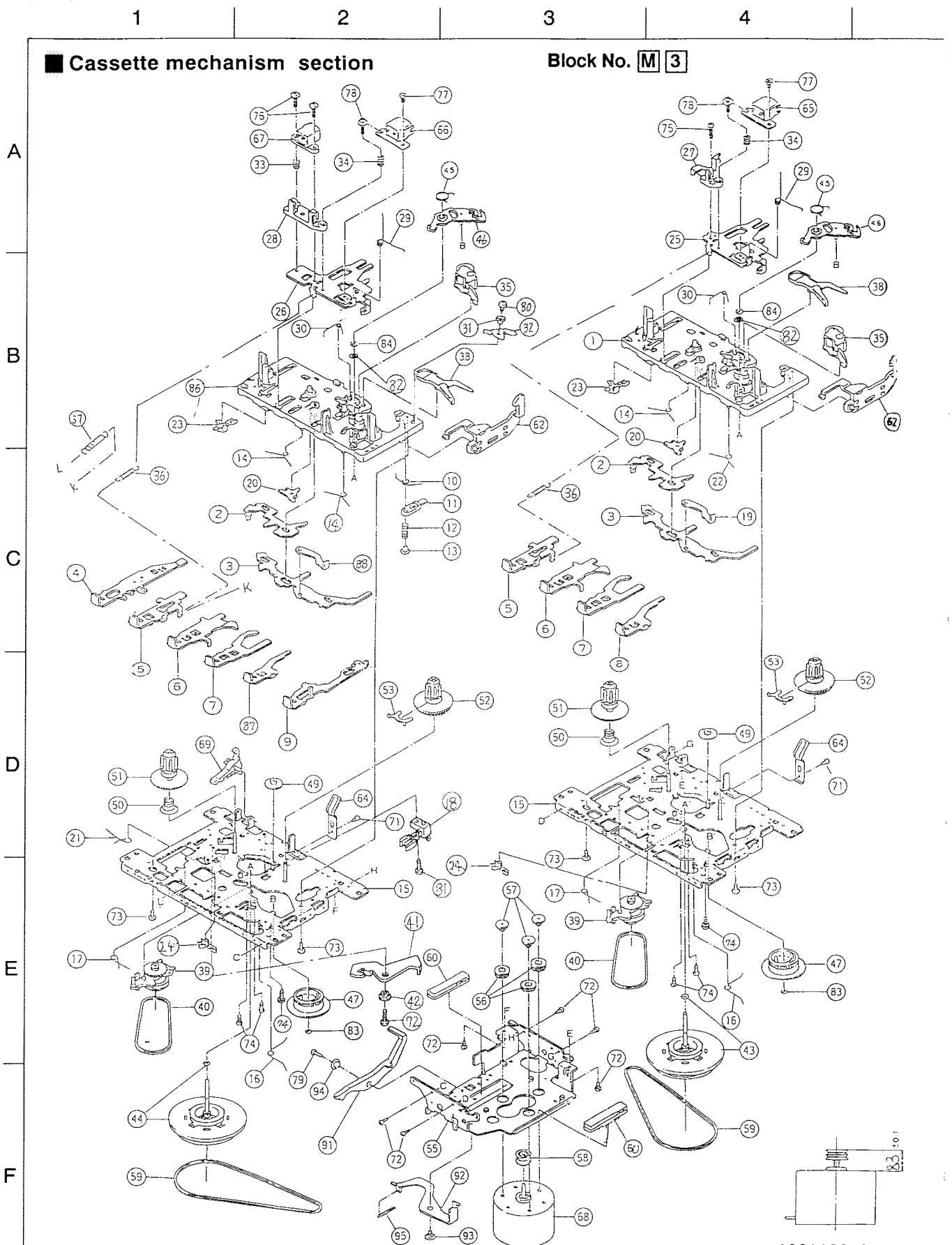
Fig. 9-2

● Speaker box parts list

BLOCK NO. **M2MM**

△	REF.	PARTS NO.	PARTS NAME	REMARKS	QTY	SUFFIX	CLR
S	1	VJG1308-00A	SP.FRONT PANEL	FOR LEFT	1		
		VJG1309-00A	SP.FRONT PANEL	FOR RIGHT	1		
S	2	VJG1289-001	SP.R.CABINET(L)	FOR LEFT	1		
		VJG1290-002	SP.R.CABINET(R)	FOR RIGHT	1		
S	3	SBSF3035Z	SCREW	FRONT+REAR	4		
S	5	VGS1001-014	SPEAKER		1		
S	6	GBSF3010Z	TAPPING SCREW	SPEAKER	4		
S	11	VKZ4742-001	SOUND ABSORBER		1		
S	12	VKZ4389-009	SOUND ABSORBER		1		
S	13	VMP0040-002T	SPK CORD		1		
S	14	VYN7066-M001B	NAME PLATE		1		
S	15	VYSS2R7-006	SPACER		1		
S	16	SBSF3006M	SCREW		1		

10 Exploded View of Mechanism Component Parts



● Cassette mechanism parts list

BLOCK NO. M3MM 111

△	REF.	PARTS NO.	PARTS NAME	REMARKS	QTY	SUFFIX	CLR
	1	192114301ZT	BASE ASS'Y		1		
	2	19211409T	SWITCH ACTUATOR		2		
	3	19211438T	PUSH B.ACTUATOR		2		
	4	19211422T	BUTTON LEVER	REC BUTTON	1		
	5	19211484T	BUTTON LEVER	PLAY BUTTON	2		
	6	19211424T	BUTTON LEVER	REW BUTTON	2		
	7	19211425T	BUTTON LEVER	FF BUTTON	2		
	8	19211426T	BUTTON LEVER	STOP BUTTON	1		
	9	19211461T	BUTTON LEVER	PAUSE BUTTON	1		
	10	19211413T	P CONT. SPRING	PAUSE	1		
	11	19211455T	PAUSE LEVER (E)	PAUSE	1		
	12	19211412T	SPRING	PAUSE LEVER	1		
	13	19211411T	PAUSE STOPPER		1		
	14	19211414T	TORSION SPRING	BUTTON LEVER	3		
	15	192101501ZT	CHASSIS ASS'Y		2		
	16	19211416T	TORSION SPRING	E.ACTUATER	2		
	17	19211417T	TORSION SPRING	P.S.LEVER	2		
	18	64010138T	LEAF SWITCH	MSW-1275	1		
	19	182101159T	E.KICK LEVER	DECK B	1		
	20	19211420T	STOPPER		2		
	21	19211449T	LEVER SPRING	REC BUTTON	1		
	22	19211433T	TORSION SPRING	BUTTON LEVER(C)	1		
	23	MSW-1541T	LEAF SWITCH	MSW-1541T	2		
	24	640101161T	LEAF SWITCH	MSW-17820MVDO	2		
	25	19210311T	HEAD PANEL	DECK B	1		
	26	19210314T	HEAD PANEL	DECK A	1		
	27	19210304AT	HEAD BASE	DECK B	1		
	28	19210306T	HEAD BASE	DECK A	1		
	29	19210309T	PANEL P SPRING		2		
	30	19211418AT	SPRING	M CONTROL	2		
	31	19211437T	P ARM COLLAR		1		
	32	19211434T	P.ROLLER ARM		1		
	33	18210308T	SPRING		1		
	34	18210307T	AZIMUTH SPRING		2		
	35	192104309T	P.ROLL.ARM ASSY		2		
	36	18210150T	P.B.LEVER SPRIN	PLAY BUTTON LEV	2		
	37	18211311T	TENSION SPRING	E.SLIDE LEVER	1		
	38	19212604TT	SENSING LEVER		2		
	39	192107308T	RF CLUTCH ASS'Y		2		
	40	18210711T	RF.BELT		2		
	41	19210201T	REC ARM		1		
	42	19211437T	P ARM COLLAR		1		
	43	192109318T	FLYWHEEL ASS'Y	PB MECHA.(B)	1		
	44	192109317T	FLYWHEEL ASS'Y	REC/PB MECHA.(A)	1		
	45	19212605T	TORSION SPRING	GEAR PLATE	2		
	46	192126502ZT	GEAR PLATE ASSY		2		
	47	19212602T	CAM GEAR		2		
	49	18211070T	F.FORWARD GEAR		2		
	50	18291010T	BACK T. SPRING		2		
	51	192105304T	S. REEL ASS'Y	SUPPLY	2		
	52	192105303T	T. REEL ASS'Y	TAKE-UP	2		
	53	19210506T	SENSOR		2		
	55	19211211T	MOTOR BRACKET		1		
	56	18211266T	MOTOR RUBBER		3		

BLOCK NO. M3MM

REF.	PARTS NO.	PARTS NAME	REMARKS	QTY	SUFFIX	CLR
57	18511418T	COLLAR SCREW		3		
58	19211213T	MOTOR PULLEY		1		
59	19210923T	MAIN BELT		2		
60	182112126T	ANTI V.FELT MAT		2		
62	19211302T	EJ. SLIDE LEVER	EJECT	2		
64	18291001T	PACK SPRING		2		
65	MS15R-AA2N1	R/P HEAD	DECK B	2		
67	LE15A-C1	E. HEAD	DECK A	1		
68	60020222T	MOTOR	EG530YD-9BH	1		
69	18211069T	REC.SAF.LEVER		1		
71	91790000T	TAPPING SCREW	M2 X 3	2		
72	91800000T	SCREW	M2 X 4	7		
73	96790000T	TAPPING SCREW	M2 X 5	4		
74	99991809T	SPECIAL SCREW	M2 X 4.5	6		
75	90040000T	SCREW(M2 X 6)	M2 X 6	1		
76	92230000T	SCREW	M2 X 7.5	2		
77	91150000T	SCREW(M2 X 3)	M2 X 3	2		
78	99220000T	SCREW(M2 X 7)	M2 X 7	2		
79	91820000T	SCREW	M2 X 6	1		
80	99992041T	SPECIAL SCREW	M2 X 3	1		
81	91810000T	SCREW	M2 X 5	1		
82	99990003T	POLYSLIDER WAS.	2.1X4X 0.13	2		
83	94220000T	P.WASHER	1.2X3.8X0.3	2		
84	99990313T	POLY.CUT WASHER	1.45X3.8X0.5	2		
86	192114316T	BASE ASS'Y		1		
87	19211466T	BUTTON LEVER	STOP	1		
88	19211464T	E KICK LEVER		1		
91	19211209T	P.KICK LEVER(B)		1		
92	18211268T	P.KICK LEVER		1		
93	18211223T	COLLAR SCREW		1		
94	18211265T	COLLAR (B)		1		
95	18211312T	SPRING	E. SLIDE LEVER	1		

■ CD changer mechanism section: Block No. **M 4**

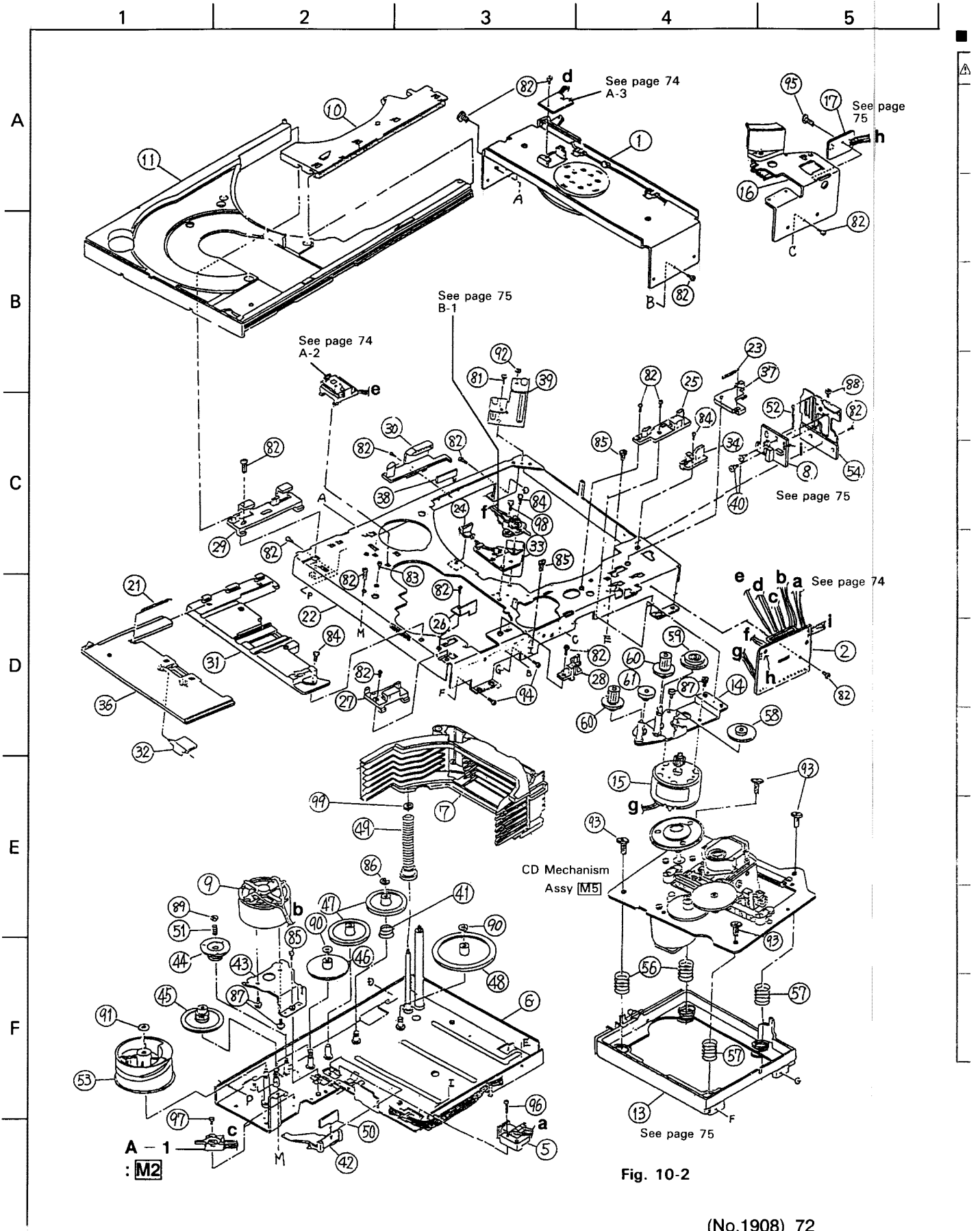


Fig. 10-2

■ CD changer mechanism parts list

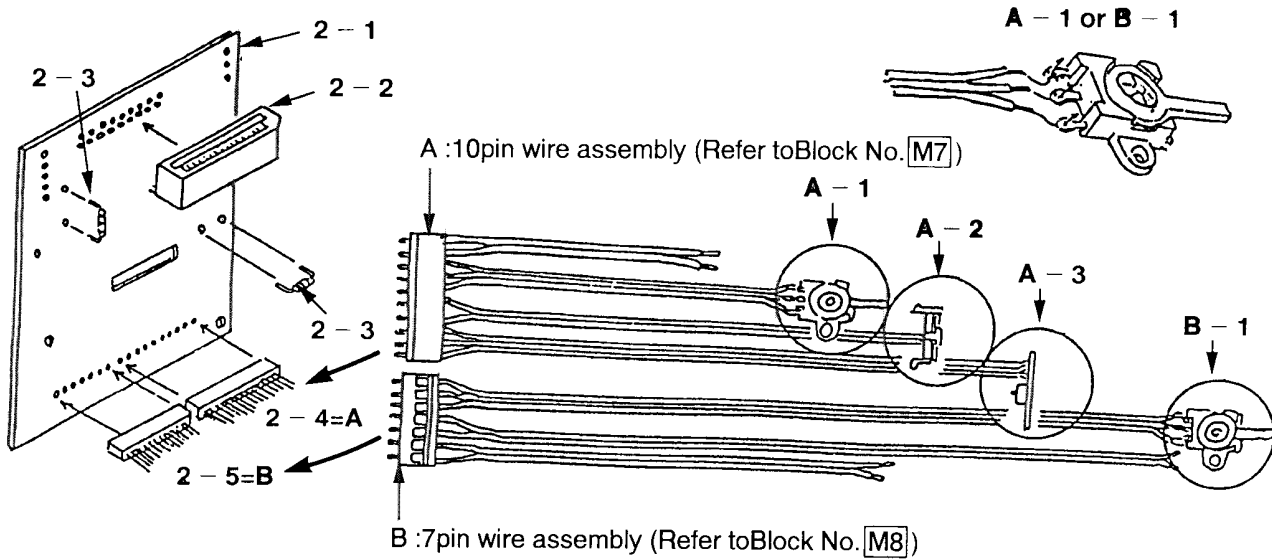
BLOCK NO. M4MM

△	REF.	PARTS NO.	PARTS NAME	REMARKS	QTY	SUFFIX	CLR
	1	300701307T	CLUMPER BKT.ASY		1		
	2	-----	CON.PCB ASS'Y	SEE PAGE 74	1		
	2-1	30070119T	CONNECTOR PCB B		1		
	2-2	VMC0163-R18	CONNECTOR		1		
	2-3	68190503T	RESISTOR		2		
	2-4	30071016T	WIRE ASY.(10P)	FIG. A	1		
	2-5	30071015T	WIRE ASY.(7P)	FIG. B	1		
	5	300702303T	COIL ASS'Y		1		
	6	300702505T	GEAR CHAS.ASS'Y		1		
	7	300702305T	DISC CASE ASS'Y		1		
	8	-----	E.S PCB ASS'Y	SEE PAGE 75	1		
	8-1	30070250T	E.S PCB		1		
	8-2	SPI-235-18	PH.INTERAPTOR		1		
	8-3	64010401T	PUSH SWITCH		1		
	8-4	64010402T	PUSH SWITCH		1		
	8-5	30071017T	RIBBON WIRE		1		
	9	300702302T	E MOTOR ASS'Y		1		
	10	300706307T	L.PLATE ASS'Y		1		
	11	300706304T	DISC BASE ASS'Y		1		
	12	-----	CD MECHANISM	BLOCK NO. M5	1		
	13	-----	T.T.BASE H.ASY.	SEE PAGE 75	1		
	13-1	30070713T	F.RUBBER HOLDER		4		
	13-2	30070741T	F.RUBBER B		4		
	13-3	30070745T	T.T.BASE HOLDER		1		
	13-4	30070750T	T.T.REIN F.		1		
	13-5	9P0720531T	SCREW	M2 X 3.5	4		
	14	300711501T	L GEAR BKT.ASY.		1		
	15	300711301T	L MOTOR ASS'Y		1		
	16	300711303T	GUIDE PLATE ASY		1		
	17	-----	L SEN.PCB ASS'Y	SEE PAGE 75	1		
	17-1	30071116T	L SENSOR PCB		1		
	17-2	SPI-235-18	PH.INTERAPTOR		1		
	17-3	30071018T	RIBBON WIRE		1		
	21	30070117T	COIL SPRING		1		
	22	30070142T	CHASSIS BASE		1		
	23	30070144T	LEVER SPRING		1		
	24	30070165T	SPRING STOPPER		1		
	25	30070148T	BASE GUIDE		1		
	26	30070149T	BASE BRACKET		1		
	27	30070150T	BASE GUIDE		1		
	28	30070151T	BASE GUIDE		1		
	29	30070153T	BASE GUIDE		1		
	30	30070154T	BASE GUIDE		1		
	31	30070155T	COVER PLATE		1		
	32	30070156T	DISK STOPPER		1		
	33	30070157T	GUIDE STOPPER		1		
	34	30070158T	WIRE CLAMP		1		
	36	30070162T	COVER PLATE A		1		
	37	30070163T	LOCK LEVER		1		
	38	30070265T	CUSHION		1		
	39	30070240T	WORM GEAR BKT		1		
	40	19001204T	COLLAR SCREW		2		
	41	19210707T	RF CLUTCH SP		1		
	42	30070257T	E CONTROL LEVER		1		

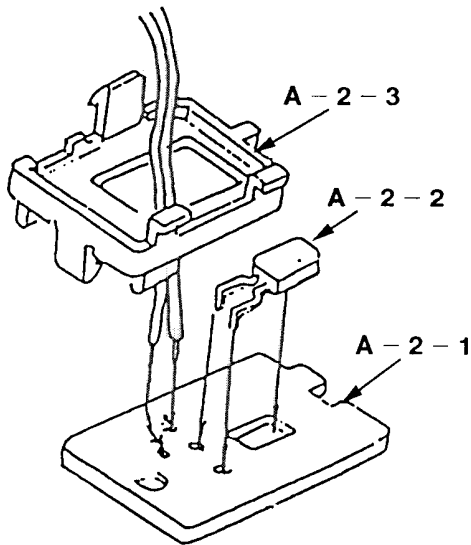
BLOCK NO. M4MM

REF.	PARTS NO.	PARTS NAME	REMARKS	QTY	SUFFIX	CLR
43	30070203T	E MOTOR BRACKET		1		
44	30070214T	E GEAR G2		1		
45	30070215T	E GEAR G3		1		
46	30070217T	E GEAR G5		1		
47	30070218T	E GEAR G6		2		
48	30070220T	E GEAR G8		1		
49	30070221T	E GEAR G9		1		
50	30070228T	E CONTROL PLATE		1		
51	30070232T	E GEAR G2 SP.		1		
52	30070233T	E SENSOR SPRING		1		
53	30070259T	E GEAR G4		1		
54	30070266T	E SENSOR BKT.		1		
56	30070755T	F.RUBBER SP JA		2		
57	30070756T	F.RUBBER SP JB		2		
58	30071103T	L GEAR B		1		
59	30071104T	L GEAR C		1		
60	30071105T	L GEAR D		2		
61	30071106T	L GEAR E		1		
81	9B0320041T	SCREW(M2 X 4)	M2 X 4	1		
82	9P0420041T	SCREW(M2 X 4)	M2 X 4	18		
83	9P0420051T	SCREW(M2 X 5)	M2 X 5	1		
84	9P0420061T	SCREW	M2 X 6	4		
85	9C2020251T	SPECIAL SCREW	M2 X 2.5	3		
86	9E0100252T	E RING	2.5	1		
87	9P0226041T	TAMS SCREW	M2.6 X 4	4		
88	9P1720061T	SCREW	M2 X 6	1		
89	9W0250080T	WASHER	1.85 X 5 X 0.5	1		
90	9W0250110T	WASHER	2.6 X 6 X 0.5	2		
91	9W0250130T	WASHER	3 X 6 X 0.5	1		
92	9W0650220T	WASHER	2.6 X 4.5 X 0.5	4		
93	9B1220041T	SCREW	M2 X 4	3		
94	9P0720061T	P.TAP.SCREW	M2 X 6	1		
95	9C0320353T	SCREW	M2 X 3.5	2		
96	9P0420081T	SCREW	M2 X 8	1		
97	9C1920301T	SCREW	M2 X 3	1		
98	9P0426051T	SCREW	M2.6 X 5	1		
99	9W0640070T	HL WASHER CUT	M2.1 X 4 X 0.4	1		

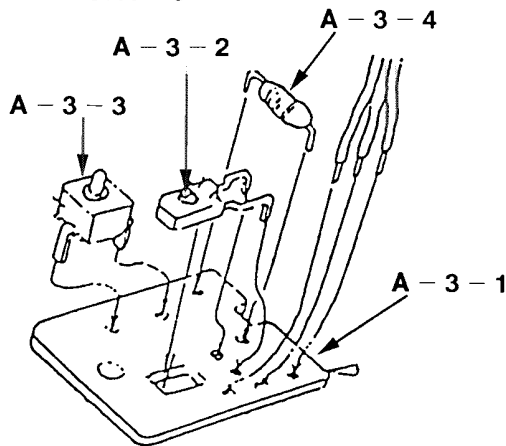
● Connector P.C.board assembly : REF.NO. 2



● Disc sensor P.C.board assembly : REF.NO. A - 2



● Disc sensor P.C.board assembly REF.NO. A - 3



■ 2 - 4 = A : 10pin wire assembly parts list

BLOCK NO. M7MM

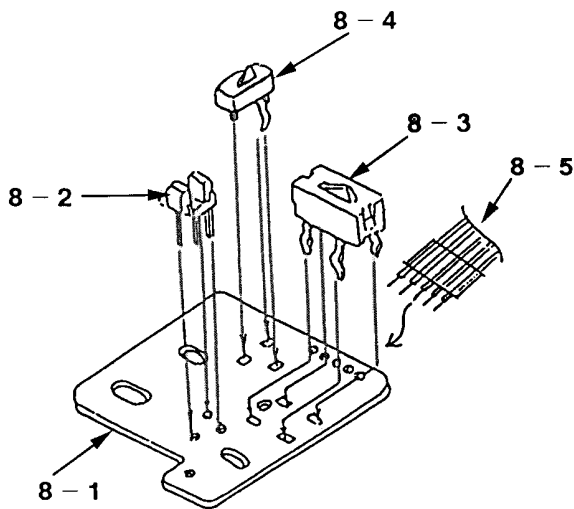
△	REF.	PARTS NO.	PARTS NAME	REMARKS	QTY	SUFFIX	CLR
	A	30071016T	CONN.WIRE ASSY	10PIN SEE P.74	1		
	A-1	64020801T	SLIDE SWITCH		1		
	A-2	-----	D.S.PCB ASS'Y		1		
	A-2-1	30070124T	D.S.PCB ASS'Y		1		
	A-2-2	PT480	PH.TRANSISTOR		1		
	A-2-3	30070122T	D.S.BRACKET		1		
	A-3	-----	D.S.PCB B.ASY.		1		
	A-3-1	30070125T	D.S.PCB B		1		
	A-3-2	GL480	PH.DIODE		1		
	A-3-3	64020412T	SWITCH		1		
	A-3-4	68190503T	RESISTOR		1		

■ 2 - 5 = B : 7pin wire assembly parts list

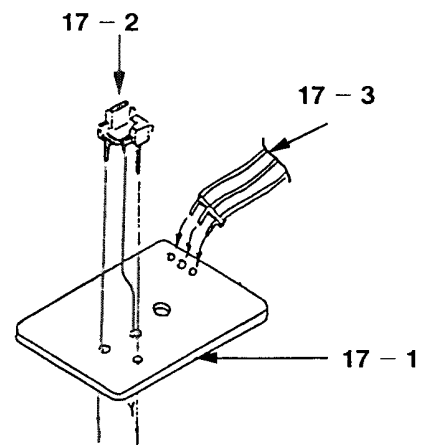
BLOCK NO. M8MM

REF.	PARTS NO.	PARTS NAME	REMARKS	QTY	SUFFIX	CLR
B	30071015T	CONN.WIRE ASSY	7PIN SEE PAGE74	1		
B-1	64020801T	SLIDE SWITCH		1		

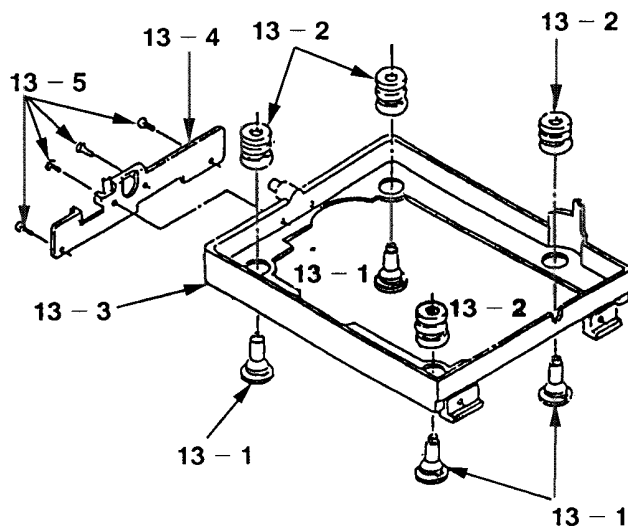
● E. Sensor P.C. board assembly
REF.No. 8



● L. sensor P.C. board assembly : REF.NO. 17



● T.T. base holder assembly : REF.NO. 13



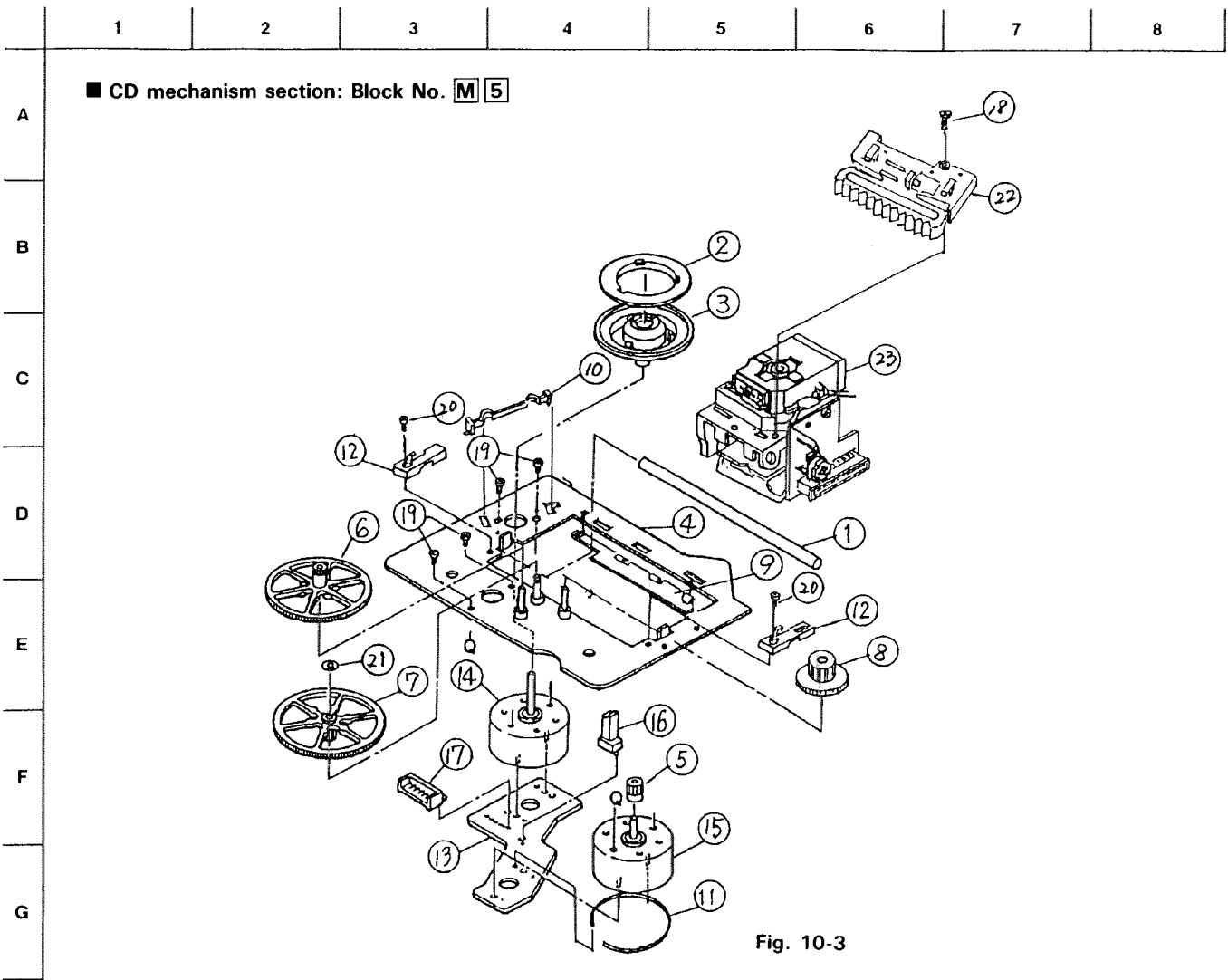


Fig. 10-3

CD mechanism parts list

BLOCK NO.

REF.	PARTS NO.	PARTS NAME	REMARKS	QTY	SUFFIX	CLR
1	30020712T	PU.SHAFT		1		
2	30050713T	T.T.PLATE		1		
3	30070701T	TURN TABLE		1		
4	300707502T	TURN TABLE BASE		1		
5	30070726T	GEAR A		1		
6	30070727T	GEAR B		1		
7	30070728T	GEAR C		1		
8	30070729T	GEAR D		1		
9	30070730T	PU.SUPPORT		1		
10	30070739T	TENSION ARM		1		
11	30070746T	EARTH SPRING		1		
12	30070747T	SHAFT HOLDER		2		
13	30070751T	MOTOR PCB(J)		1		
14	60020902T	MOTOR		1		
15	60020903T	MOTOR		1		
16	640101195T	LEAF SWITCH		1		
17	68020264T	CONNECTOR		1		
18	9B1220061T	SCREW	M2X6	1		
19	9C0420303T	SCREW	M2X3	4		
20	9P0420061T	SCREW	M2X6	2		
21	9W0640070T	WASHER	2.1X4X0.4 CUT	1		
22	30070757T	CD RACK		1		
23	OPTIMA-6S	OPTICAL PICKUP		1		

11 Illustration of Packing and Parts list

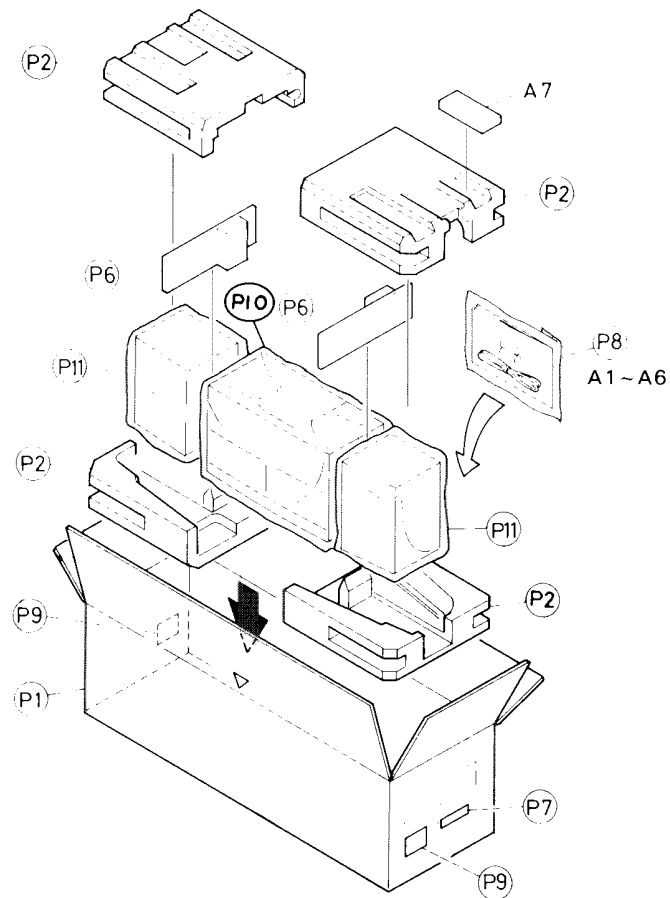


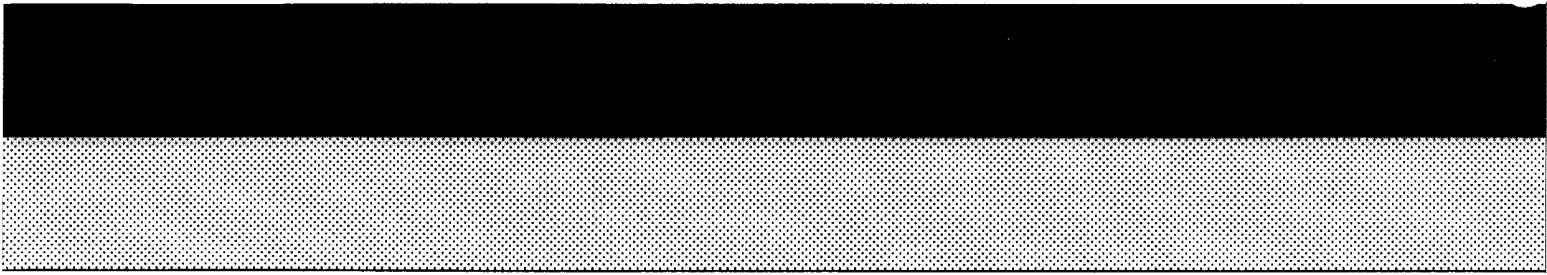
Fig. 11-1

BLOCK NO. M6MM | | |

△	REF.	PARTS NO.	PARTS NAME	REMARKS	QTY	SUFFIX	CLR
P	1	VPC7066-M001	CARTON		1		
P	2	VPH1650-00A	CUSHION SET		1		
P	6	VPK4313-00A	PAD ASS'Y		2		
P	7	VND3070-077	UPC CORD LABEL		1		
P	8	VPE3005-007	POLY BAG	INST	1		
P	9	VND3044-002	SERIAL TICKET		2		
P	10	E300196-031B	ENVELOPE	SET	1		
P	11	VPE3005-071	POLY BAG	SPEAKER	2		

BLOCK NO. M6MM | | |

△	REF.	PARTS NO.	PARTS NAME	REMARKS	QTY	SUFFIX	CLR
A	1	VNN7065-612M	INST BOOK		1		
A	2	BT-20044G	SAFETY INST.		1	J	
A	3	BT-20025L	WARRANTY CARD		1	C	
A	4	BT-20047F	WARRANTY CARD		1	J	
A	4	BT-20071B	SERVICE NETWORK		1	C	
A	4	BT-20137	SERVICE NETWORK		1	J	
A	5	R6PRPA-2ST	BATTERY	JEM PECA0786	2		
A	6	QMP1350-183	POWER CORD		1		
A	7	VGR0032-101	REMOCON		1		



JVC

VICTOR COMPANY OF JAPAN, LIMITED
AUDIO PRODUCTS DIVISION 10-1, 1-chome, Ohwatari-machi, Maebashi-city, Japan

JVC

SERVICE MANUAL

PORTABLE CD CHANGER SYSTEM

PC-XC30 C/J

Supplement

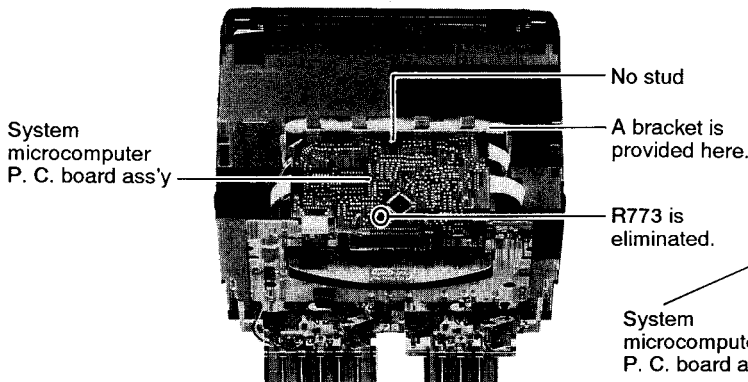
A part of the PC – XC30 body has been modified. Since only the modified points are described in this supplement, refer to the previously published manual at the same time.

Contents

<p>Block Diagram Page2</p> <p>Standard Schematicdiagram</p> <ul style="list-style-type: none"> ■ Head Amplifier Circuit 3 ■ Tuner Circuit 3 ■ Amplifier Circuit 4 ■ CD Amplifier Circuit 5 ■ System Microprocessor Circuit 6 <p>Location of P. C. Board Parts and Parts List</p> <ul style="list-style-type: none"> ■ Main Amplifier Board 7 	<ul style="list-style-type: none"> ■ System Microprocessor/ Key Switch Board 10 ■ Tuner Board 13 ■ CD Amplifier Board 14 ■ CD Changer Microprocessor Board 15 <p>Exploded View of Enclosure Component Part and Parts List 16</p>
--	--

◆ OLD

Supplementary of Service Manual for PC – XC30

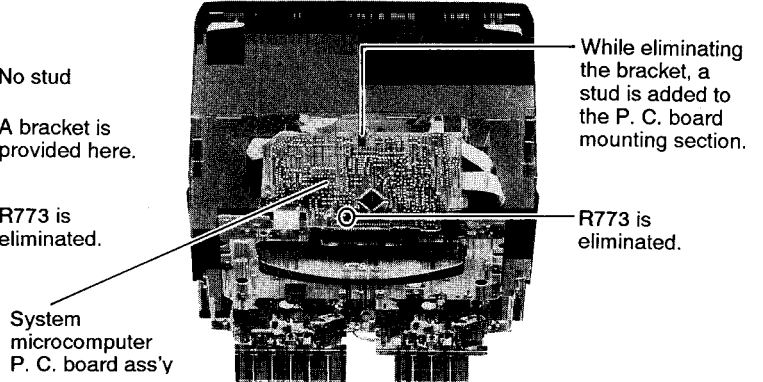


◆ NEW

Supplementary of Service Manual for PC – XC30

Confirm the new model according to the following points:

1. Elimination of bracket
2. Addition of stud
3. Elimination of R 773



Block Diagram

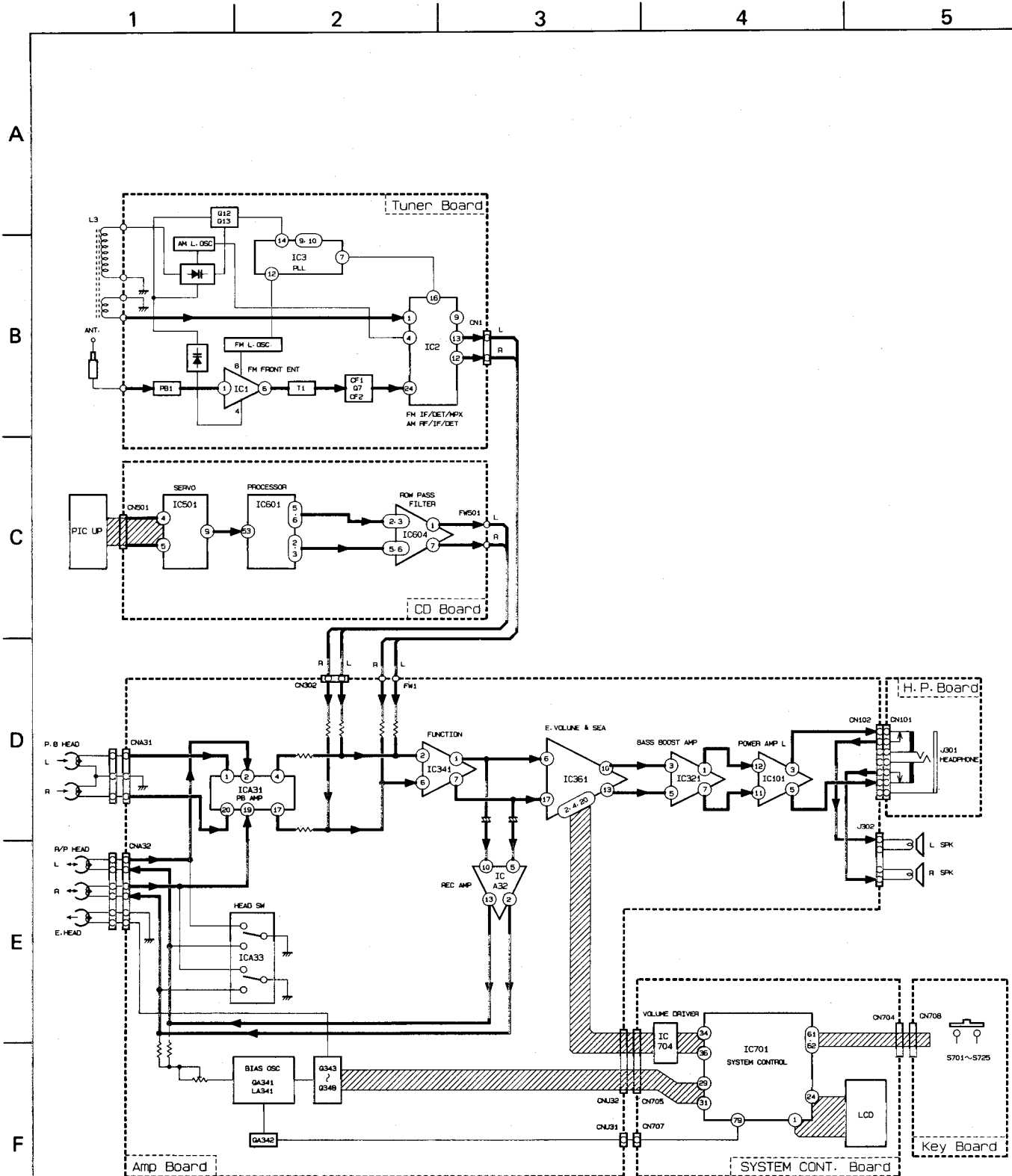


Fig. 1

Standard Schematic Diagram

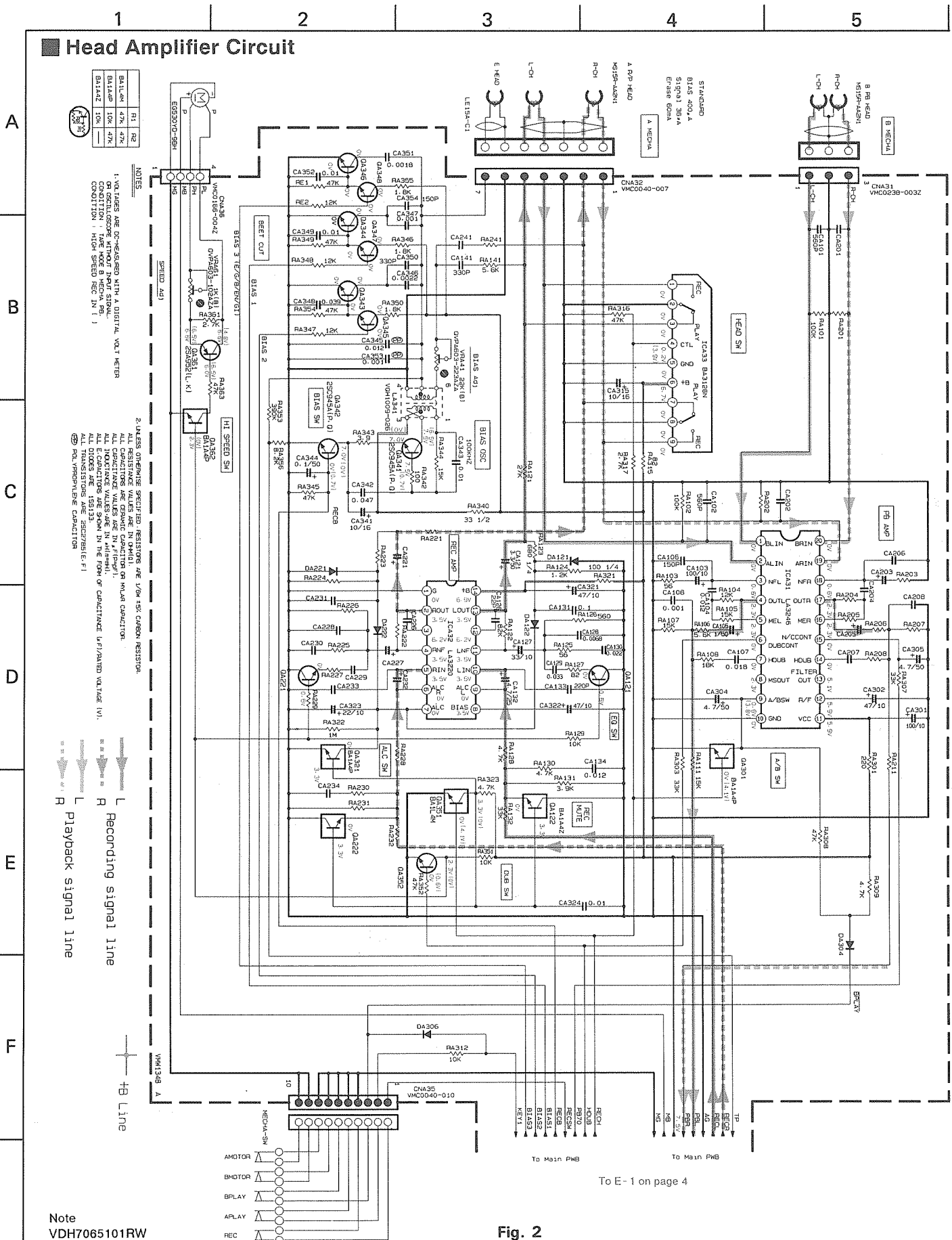


Fig. 2

Note VDH7065101RW

To E-1 on page 4

PC - XC30 C/J

PC -

Amplifier Circuit

NOTES

- VOLTAGES ARE DC-MEASURED WITH A DIGITAL VOLT METER OR OSCILLOSCOPE WITHOUT INPUT SIGNAL.
CONDITION --- B MECH PLAY MODE DC 12V
CONDITION - DC IN ()
- UNLESS OTHERWISE SPECIFIED, RESISTORS ARE 1/6W ±5% CARBON RESISTOR. ALL RESISTANCE VALUES ARE IN OHM(Ω).
ALL CAPACITORS ARE CERAMIC CAPACITOR OR NIPAL CAPACITOR.
ALL CAPACITANCE VALUES ARE IN pF(pF).
ALL INDUCTANCE VALUES ARE IN μH(μH).
ALL E-CAPACITORS ARE SHOWN IN THE FORM OF CAPACITANCE (pF)/RATED VOLTAGE (V).
ALL DIODES ARE 1S5133 OR 1S52541-77.
ALL TRANSISTORS ARE 2SC2785(F-E).

* J999	A	B
E/EN/G/G1	---	230V
B	---	240V
J/C	120V	---

PARTS	JR	CR	ER/ENR	BR
J999	QMCB251-V01	QMC0263-004	QMC0263-004	---
J998	---	---	QMA431B-V01	---
D995	---	---	○	---
T999	VTP57P2-12B	VTP57P2-12B	VTP57P2-12C	---
F999	short	QMF51N2-R40J1	short	---
F998	QMF007-5R0J1	---	QMF51E2-3R15J1	---
F997	short	QMF007-5R0J1	QMF51E2-3R15J1	short
F995	short	QMF007-5R0J1	short	---
R999	short	QR20052-4R7	---	---
BB509	---	---	○	---
BB321	○	○	---	---
P. CORD	QMP1350-103J5 or QMP1350-103E	QMP1950-103	QMP39F0-103	QMP5520-

(No. 1908B) 4

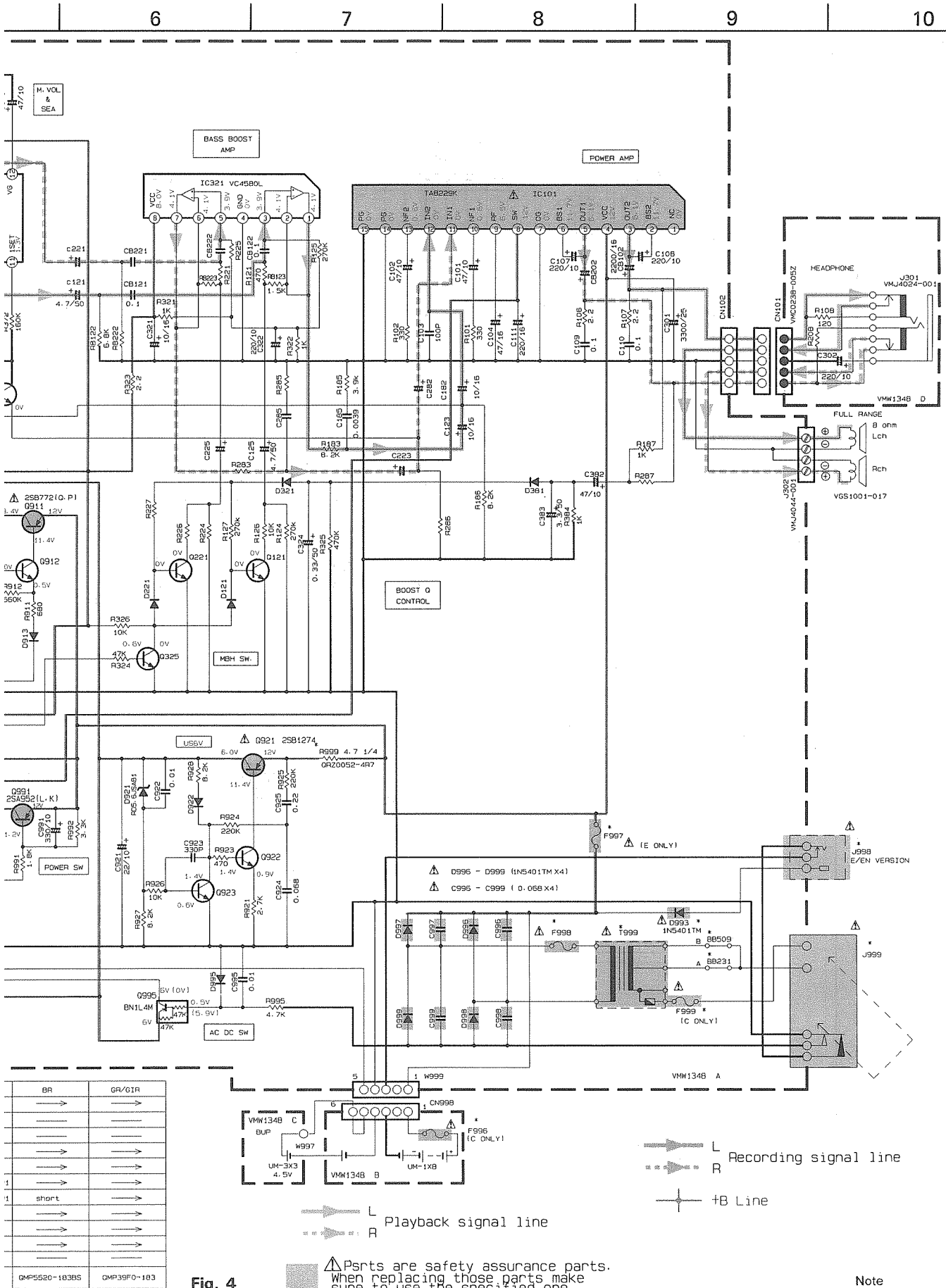
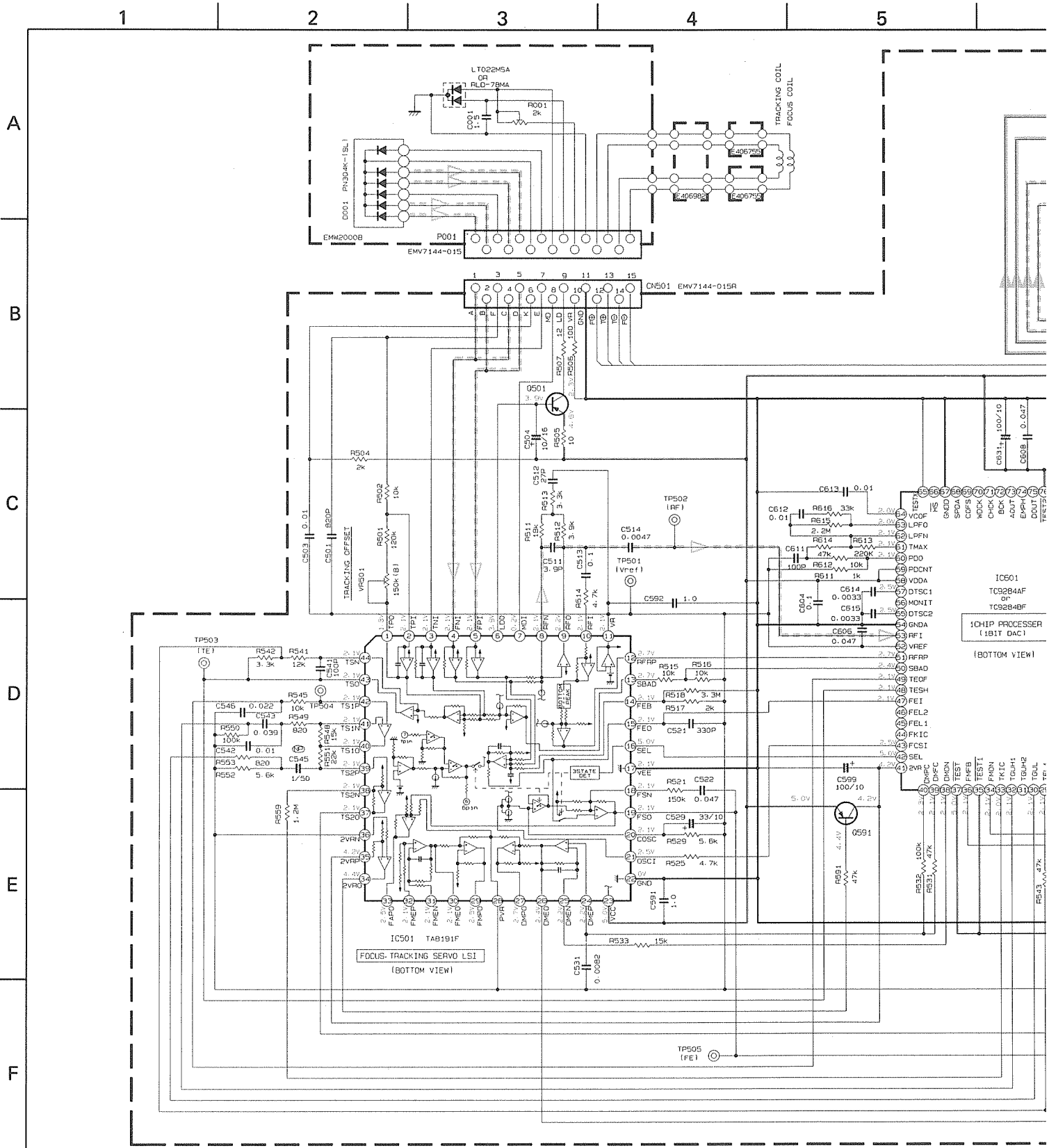


Fig. 4

Parts are safety assurance parts. When replacing those parts make sure to use the specified one.

Note
VDH7066101AV

CD Amplifier Circuit



NOTES

1. VOLTAGES ARE DC-MEASURED WITH A DIGITAL VOLT METER IN PLAYBACK.
2. UNLESS OTHERWISE SPECIFIED, RESISTORS ARE 1/8W 1%K CARBON RESISTOR.
3. ALL RESISTANCE VALUES ARE IN OHMS (Ω).
4. ALL CAPACITORS ARE CERAMIC CAPACITOR OR MYLAR CAPACITOR.
5. ALL CAPACITANCE VALUES ARE IN pF (pF).
6. ALL INDUCTANCE VALUES ARE IN μH (μH).
7. ALL E-CAPACITORS ARE SHOWN IN THE FORM OF CAPACITANCE (μF)/RATED VOLTAGE (V).

- Ⓜ UNFLAMMABLE CARBON RESISTOR
- Ⓜ METAL FILM RESISTOR
- Ⓜ OXIDE METAL FILM RESISTOR
- Ⓜ 1.20% LOW LEAK CURRENT ELECTROLYTIC CAPACITOR
- Ⓜ NON-POLARISED ELECTROLYTIC CAPACITOR
- Ⓜ POLYPROPYLENE CAPACITOR
- Ⓜ POLYSTYROL CAPACITOR

0501	25A952(L, K)
05B1	47K
0591	25A1309(R, S) OR 25A1175(HFE) OR 25A933(S)RS

Note
VDH7065106CV

Fig. 5

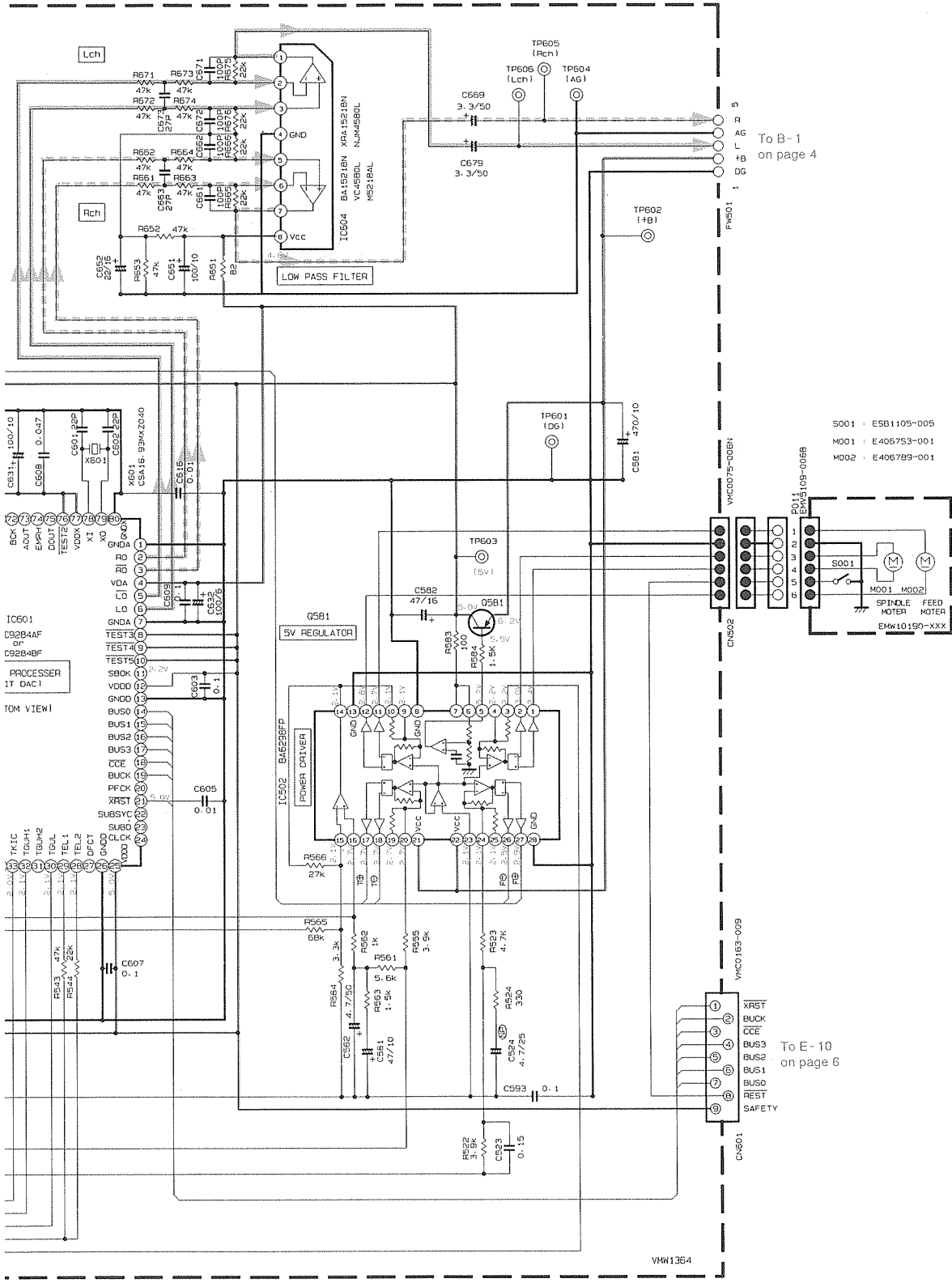
6

7

8

9

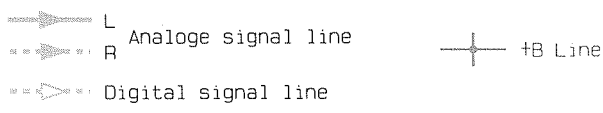
10



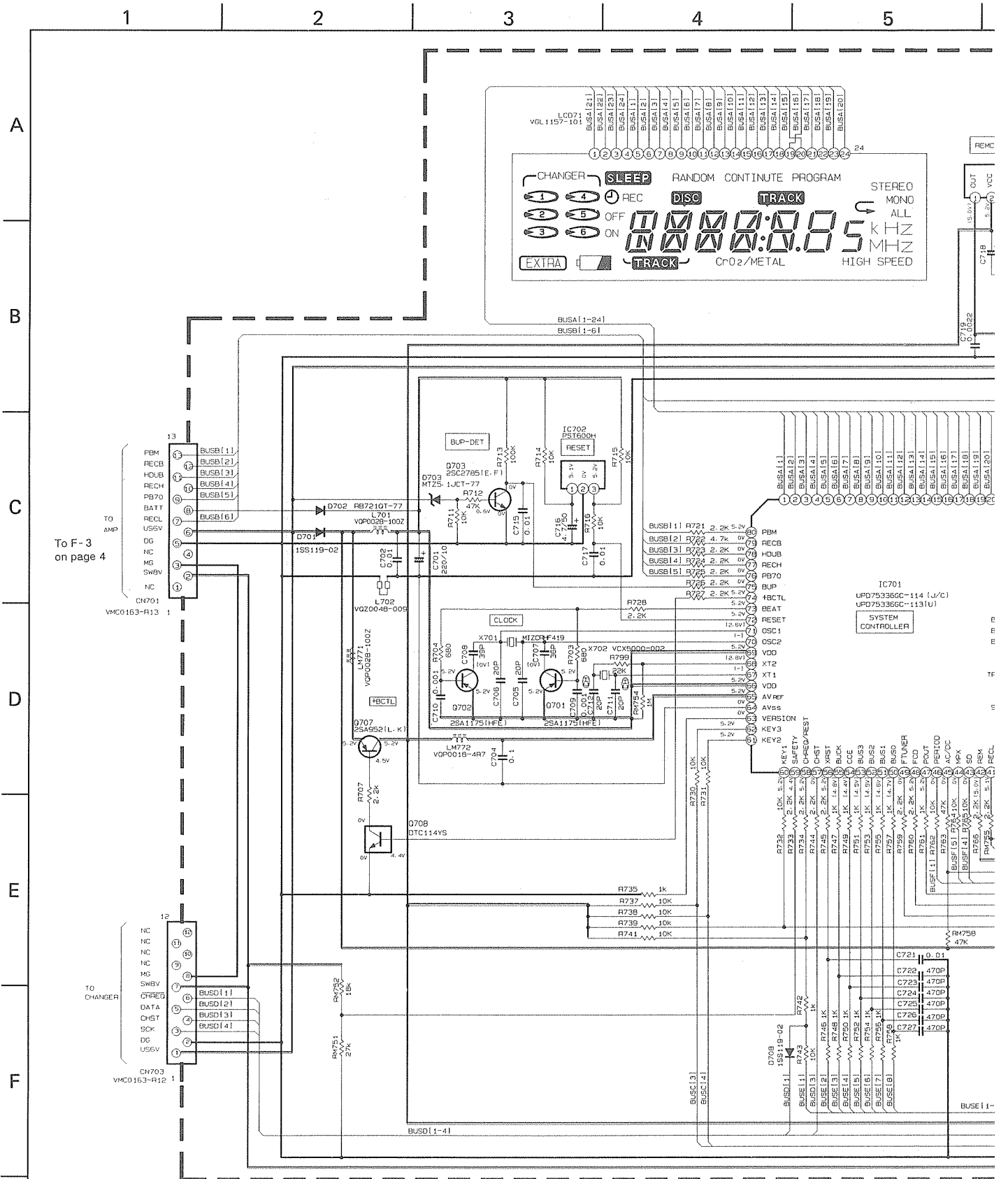
To B-1
on page 4

- S001 : E581105-005
- M001 : E4067S3-001
- M002 : E4067B3-001

To E-10
on page 6



System Microprocessor Circuit

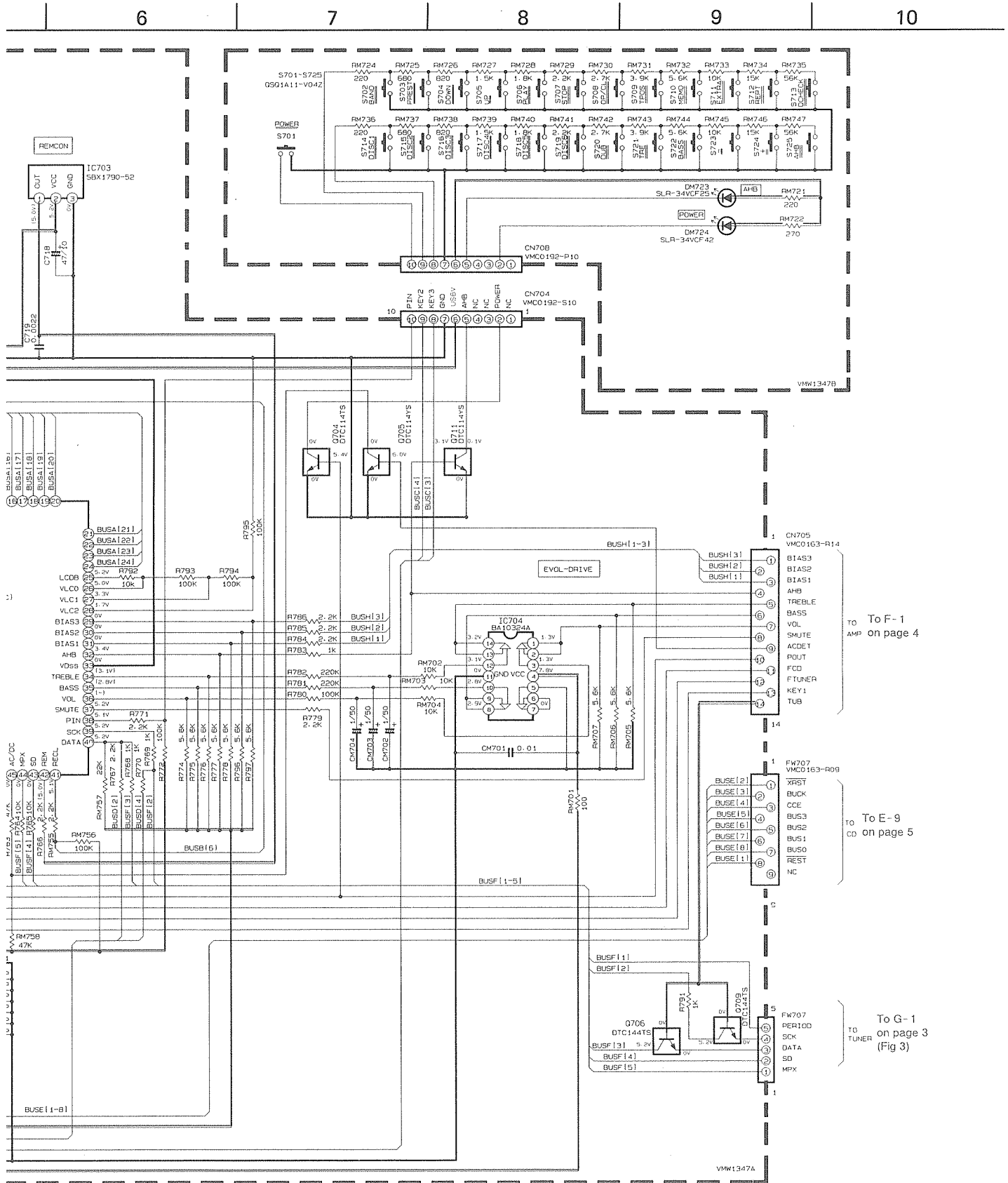


To F-3 on page 4

- NOTES**
- VOLTAGES ARE DC-MEASURED WITH A DIGITAL VOLT METER OR OSCILLOSCOPE WITHOUT INPUT SIGNAL. CONDITION --- CD MODE
 - UNLESS OTHERWISE SPECIFIED, RESISTORS ARE 1/8W ±5% CARBON RESISTOR. ALL RESISTANCE VALUES ARE IN Ω(MΩ). ALL CAPACITORS ARE CERAMIC CAPACITOR OR MYLAR CAPACITOR. ALL CAPACITANCE VALUES ARE IN nF(pF). ALL INDUCTANCE VALUES ARE IN μH(mH). ALL CAPACITORS ARE SHOWN IN THE FORM OF CAPACITANCE (5F1/RATED VOLTAGE (V)). ALL DIODES ARE OR
 - BRACKETS INSIDE VOLTS ARE REFERENCE DATA.
 - UNFLAMMABLE CARBON RESISTOR
 - METAL FILM RESISTOR
 - OXIDE METAL FILM RESISTOR
 - ±20% LOW LEAK CURRENT ELECTROLYTIC CAPACITOR
 - NON-POLARISED ELECTROLYTIC CAPACITOR
 - POLYPROPYLENE CAPACITOR
 - POLYSTYROL CAPACITOR

Note VDH70661065V

Fig. 6



R1/R2	10K/10K	10K/47K	10K/~	47K/~
R1	DTC144ES	DTC144YS	DTC144TS	DTC144TS
R2				

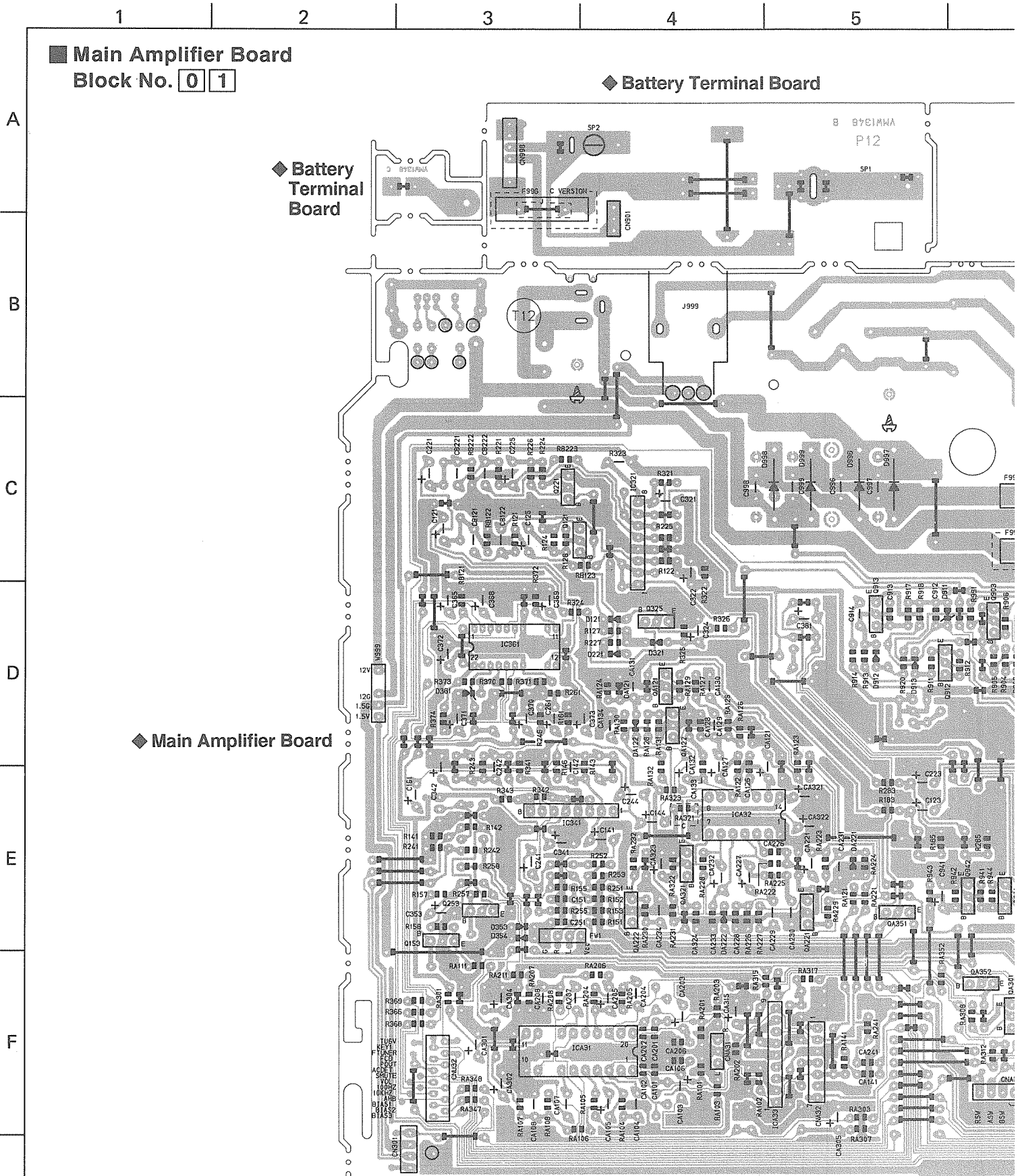
4B Line

To F-1
AMP on page 4

To E-9
CD on page 5

To G-1
on page 3
(Fig 3)

Location of P. C. board Parts and Parts List



Note
VMW1348102 P12/T12

● Main Board Parts List

BLOCK NO. 01

REF.	PARTS NO.	PARTS NAME	REMARKS	SUFFIX
C 921	QET41AM-226	E.CAPACITOR	22MF 20% 10V	
C 922	QCVB1CN-103Y	C.CAPACITOR	.010MF 30% 16V	
C 923	QGBB1HK-331Y	C.CAPACITOR	330PF 10% 50V	
C 924	QCC11EM-683V	C.CAPACITOR	.068MF 20% 25V	
C 925	QFV41HJ-224	FILM CAPACITOR	.22MF 5% 50V	
C 931	QCVB1CN-103Y	E.CAPACITOR	.010MF 30% 16V	
C 932	QET41CM-106	E.CAPACITOR	10MF 20% 16V	
C 933	QET41AM-477	E.CAPACITOR	470MF 20% 10V	
C 941	QET41AM-226	E.CAPACITOR	22MF 20% 10V	
C 991	QETC1AM-337ZN	E.CAPACITOR	330MF 20% 10V	
C 995	QCVB1CN-103Y	E.CAPACITOR	.010MF 30% 16V	
C 996	QFV71HJ-683ZM	FILM CAPACITOR	.068MF 5% 50V	
C 997	QFV71HJ-683ZM	FILM CAPACITOR	.068MF 5% 50V	
C 998	QFV71HJ-683ZM	FILM CAPACITOR	.068MF 5% 50V	
C 999	QFV71HJ-683ZM	FILM CAPACITOR	.068MF 5% 50V	
CA101	QGBB1HK-561Y	C.CAPACITOR	560PF 10% 50V	
CA102	QGBB1HK-561Y	C.CAPACITOR	560PF 10% 50V	
CA103	QET41AM-107	E.CAPACITOR	100MF 20% 10V	
CA104	QFN41HJ-123	M.CAPACITOR	.012MF 5% 50V	
CA105	QET41HM-105	E.CAPACITOR	1.0MF 20% 50V	
CA106	QGBB1HK-151Y	C.CAPACITOR	150PF 10% 50V	
CA107	QFLC1HJ-183ZM	M.CAPACITOR	.018MF 5% 50V	
CA108	QCY41HK-102	C.CAPACITOR	1000PF 10% 50V	
CA121	QEK61HM-335ZN	E.CAPACITOR	3.3MF 20% 50V	
CA126	QCS11HJ-220	C.CAPACITOR	22PF 5% 50V	
CA127	QEK60JM-476ZM	E.CAPACITOR	47MF 20% 6.3V	
CA128	QCYB1CM-682Y	C.CAPACITOR	6800PF 20% 16V	
CA129	QFLC1HJ-335ZM	M.CAPACITOR	.033MF 5% 50V	
CA130	QFLC1HJ-223ZM	M.CAPACITOR	.022MF 5% 50V	
CA131	QCC11EM-104V	C.CAPACITOR	.10MF 20% 25V	
CA132	QEK41EM-475	E.CAPACITOR	4.7MF 20% 25V	
CA133	QGBB1HK-221Y	C.CAPACITOR	220PF 10% 50V	
CA134	QFN41HJ-123	M.CAPACITOR	.012MF 5% 50V	
CA141	QGBB1HK-331Y	C.CAPACITOR	330PF 10% 50V	
CA201	QGBB1HK-561Y	C.CAPACITOR	560PF 10% 50V	
CA202	QGBB1HK-561Y	C.CAPACITOR	560PF 10% 50V	
CA203	QET41AM-107	E.CAPACITOR	100MF 20% 10V	
CA204	QFN41HJ-123	M.CAPACITOR	.012MF 5% 50V	
CA205	QET41HM-105	E.CAPACITOR	1.0MF 20% 50V	
CA206	QGBB1HK-151Y	C.CAPACITOR	150PF 10% 50V	
CA207	QFLC1HJ-183ZM	M.CAPACITOR	.018MF 5% 50V	
CA208	QCY41HK-102	C.CAPACITOR	1000PF 10% 50V	
CA221	QEK61HM-335ZN	E.CAPACITOR	3.3MF 20% 50V	
CA226	QCS11HJ-220	C.CAPACITOR	22PF 5% 50V	
CA227	QEK60JM-476ZM	E.CAPACITOR	47MF 20% 6.3V	
CA228	QCYB1CM-682Y	C.CAPACITOR	6800PF 20% 16V	
CA229	QFLC1HJ-335ZM	M.CAPACITOR	.033MF 5% 50V	
CA230	QFLC1HJ-223ZM	M.CAPACITOR	.022MF 5% 50V	
CA231	QCC11EM-104V	C.CAPACITOR	.10MF 20% 25V	
CA232	QEK41EM-475	E.CAPACITOR	4.7MF 20% 25V	
CA233	QGBB1HK-221Y	C.CAPACITOR	220PF 10% 50V	
CA234	QFN41HJ-123	M.CAPACITOR	.012MF 5% 50V	
CA241	QGBB1HK-331Y	C.CAPACITOR	330PF 10% 50V	
CA301	QET41AM-107	E.CAPACITOR	100MF 20% 10V	
CA302	QET41AM-476	E.CAPACITOR	47MF 20% 10V	

BLOCK NO. 01

REF.	PARTS NO.	PARTS NAME	REMARKS	SUFFIX
C 101	QET41AM-476	E.CAPACITOR	47MF 20% 10V	
C 102	QET41AM-476	E.CAPACITOR	47MF 20% 10V	
C 103	QGBB1HK-101Y	C.CAPACITOR	100PF 10% 50V	
C 104	QEK41CM-476	E.CAPACITOR	47MF 20% 16V	
C 107	QET41AM-227	E.CAPACITOR	220MF 20% 10V	
C 108	QET41AM-227	E.CAPACITOR	220MF 20% 10V	
C 109	QCC11EM-104V	E.CAPACITOR	.10MF 20% 25V	
C 110	QCC11EM-104V	E.CAPACITOR	.10MF 20% 25V	
C 111	QET41EM-227	E.CAPACITOR	220MF 20% 25V	
C 121	QET41HM-475	E.CAPACITOR	4.7MF 20% 50V	
C 123	VCE081C-106Z	E.CAPACITOR	4.7MF 20% 50V	
C 125	QET41HM-475	E.CAPACITOR	4.7MF 20% 50V	
C 141	QEK61HM-335ZN	E.CAPACITOR	3.3MF 20% 50V	
C 142	QCS11HJ-470	C.CAPACITOR	47PF 5% 50V	
C 144	QETC1HM-225ZN	E.CAPACITOR	2.2MF 20% 50V	
C 151	QCYB1CM-472Y	C.CAPACITOR	4700PF 20% 16V	
C 161	QETC1HM-225ZN	E.CAPACITOR	2.2MF 20% 50V	
C 181	QCYB1CM-392Y	C.CAPACITOR	3900PF 20% 16V	
C 182	VCE081C-106Z	E.CAPACITOR	4.7MF 20% 50V	
C 221	QET41HM-475	E.CAPACITOR	4.7MF 20% 50V	
C 223	VCE081C-106Z	E.CAPACITOR	4.7MF 20% 50V	
C 225	QET41HM-475	E.CAPACITOR	4.7MF 20% 50V	
C 241	QEK61HM-335ZN	E.CAPACITOR	3.3MF 20% 50V	
C 242	QCS11HJ-470	C.CAPACITOR	47PF 5% 50V	
C 244	QETC1HM-225ZN	E.CAPACITOR	2.2MF 20% 50V	
C 251	QCYB1CM-472Y	C.CAPACITOR	4700PF 20% 16V	
C 261	QETC1HM-225ZN	E.CAPACITOR	2.2MF 20% 50V	
C 281	QCYB1CM-392Y	C.CAPACITOR	3900PF 20% 16V	
C 282	VCE081C-106Z	E.CAPACITOR	4.7MF 20% 50V	
C 301	QETB1EM-338	E.CAPACITOR	3300MF 20% 25V	
C 302	QET41AM-227	E.CAPACITOR	220MF 20% 10V	
C 321	QET41CM-106	E.CAPACITOR	10MF 20% 16V	
C 322	QET41AM-227	E.CAPACITOR	220MF 20% 10V	
C 324	QETC1HM-334ZN	E.CAPACITOR	.33MF 20% 50V	
C 341	QEK41CM-476	E.CAPACITOR	47MF 20% 16V	
C 342	QET41AM-107	E.CAPACITOR	100MF 20% 10V	
C 353	QET41HM-475	E.CAPACITOR	4.7MF 20% 50V	
C 368	QEK41CM-476	E.CAPACITOR	47MF 20% 16V	
C 369	QEK41EM-475	E.CAPACITOR	4.7MF 20% 25V	
C 370	QET41HM-475	E.CAPACITOR	4.7MF 20% 50V	
C 371	QET41AM-107	E.CAPACITOR	100MF 20% 10V	
C 372	QET41AM-107	E.CAPACITOR	100MF 20% 10V	
C 373	QET41AM-476	E.CAPACITOR	47MF 20% 10V	
C 381	QET41AM-226	E.CAPACITOR	22MF 20% 10V	
C 382	QET41AM-476	E.CAPACITOR	47MF 20% 10V	
C 383	QEK61HM-335ZN	E.CAPACITOR	3.3MF 20% 50V	
C 901	QET41AM-107	E.CAPACITOR	100MF 20% 10V	
C 902	QCVB1CN-103Y	C.CAPACITOR	.010MF 30% 16V	
C 903	QCYB1CM-222Y	C.CAPACITOR	2200PF 20% 16V	
C 904	QEN61HM-105Z	NP.E.CAPACITOR	1.0MF 20% 50V	
C 906	QET41AM-227	E.CAPACITOR	220MF 20% 10V	
C 911	QET41AM-107	E.CAPACITOR	100MF 20% 10V	
C 912	QCVB1CN-103Y	C.CAPACITOR	.010MF 30% 16V	
C 913	QCYB1CM-222Y	C.CAPACITOR	2200PF 20% 16V	
C 914	QCC11EM-104V	C.CAPACITOR	.10MF 20% 25V	

BLOCK NO. 01		BLOCK NO. 01		BLOCK NO. 01	
REF.	PARTS NO.	PARTS NAME	REMARKS	SUFFIX	SUFFIX
DA121	1S5133	SI DIODE			
DA122	1S5133	SI DIODE			
DA221	1S5133	SI DIODE			
DA222	1S5133	SI DIODE			
DA304	1S5133	SI DIODE			
DA306	1S5133	SI DIODE			
ICA31	LA3246	IC			
ICA32	LA3220	IC			
ICA33	BA3126N	IC			
IC101	TA8229K	IC			
IC321	VC4580L	IC			
IC341	BA15218N	IC			
IC361	CXA1792S	IC			
J 301	VMJ4024-001	JACK	SEA & E VOL AMP		
J 302	VMJ4044-001	SPK TERMINAL			
J 999	QMCB251-V01	AC SOCKET			
L 906	VQP0028-100Z	INDUCTOR			
LA341	VGH1009-026	OSC COIL			
Q 121	2SC2785	TRANSISTOR			
Q 153	2SC2785	TRANSISTOR			
Q 181	2SC2001(L,K)	TRANSISTOR			
Q 221	2SC2785	TRANSISTOR			
Q 253	2SC2785	TRANSISTOR			
Q 281	2SC2001(L,K)	TRANSISTOR			
Q 325	2SC2785	TRANSISTOR			
Q 381	2SA1175	TRANSISTOR			
Q 901	2SB1274(R,S)	TRANSISTOR			
Q 902	2SC2785	TRANSISTOR			
Q 903	2SC2785	TRANSISTOR			
Q 904	2SC2785	TRANSISTOR			
Q 911	2SB772(Q,P)	TRANSISTOR			
Q 912	2SC2785	TRANSISTOR			
Q 913	2SC2785	TRANSISTOR			
Q 921	2SB1274(R,S)	TRANSISTOR			
Q 922	2SC2785	TRANSISTOR			
Q 923	2SC2785	TRANSISTOR			
Q 931	2SB772(Q,P)	TRANSISTOR			
Q 932	2SC2785	TRANSISTOR			
Q 941	2SA1175	TRANSISTOR			
Q 942	2SC2785	TRANSISTOR			
Q 992	2SA952(L,K)	TRANSISTOR			
Q 995	DTA144ES	TRANSISTOR			
GA121	2SC2785	TRANSISTOR			
GA122	DTC114TN	TRANSISTOR			
GA221	2SC2785	TRANSISTOR			
GA222	DTC114TN	TRANSISTOR			
GA301	DTC114YS	TRANSISTOR			
GA321	DTC114YS	TRANSISTOR			
GA341	2SC945A	TRANSISTOR			
GA342	2SC945A	TRANSISTOR			
GA343	2SC2785	TRANSISTOR			
GA344	2SC2785	TRANSISTOR			
GA345	2SC2785	TRANSISTOR			
GA347	2SC2785	TRANSISTOR			
GA351	DTC144ES	TRANSISTOR			

BLOCK NO. 01		BLOCK NO. 01		BLOCK NO. 01	
REF.	PARTS NO.	PARTS NAME	REMARKS	SUFFIX	SUFFIX
CA304	QET41HM-475	E-CAPACITOR	4.7MF 20% 50V		
CA305	QET41HM-475	E-CAPACITOR	4.7MF 20% 50V		
CA315	QET41CM-106	E-CAPACITOR	10MF 20% 16V		
CA321	QET41AM-476	E-CAPACITOR	47MF 20% 10V		
CA322	QET41AM-476	E-CAPACITOR	47MF 20% 10V		
CA323	QET41AM-226	E-CAPACITOR	22MF 20% 10V		
CA324	QCVB1CM-103Y	C-CAPACITOR	.010MF 30% 16V		
CA341	QET41CM-106	E-CAPACITOR	10MF 20% 16V		
CA342	QFLC1HJ-473ZM	M-CAPACITOR	.047MF 5% 50V		
CA343	C1-PARTS838594	M-CAPACITOR	.010MF 5% 50V		
CA344	QETC1HM-104Z	E-CAPACITOR	.10MF 20% 50V		
CA345	QFP32AJ-123ZM	PP-CAPACITOR	.012MF 5% 100V		
CA346	QFN41HJ-222	M-CAPACITOR	2200PF 5% 50V		
CA347	QCY41HK-102	C-CAPACITOR	1000PF 10% 50V		
CA348	QCC31EM-393ZV	C-CAPACITOR	.039MF 20% 25V		
CA349	QCVB1CM-103Y	C-CAPACITOR	.010MF 30% 16V		
CA350	QCS11HJ-331	C-CAPACITOR	330PF 5% 50V		
CA353	QFP31HJ-102ZM	PP-CAPACITOR	1000PF 5% 50V		
CA354	QCS11HJ-151	C-CAPACITOR	150PF 5% 50V		
CB102	QETB1CM-228N	E-CAPACITOR	2200MF 20% 16V		
CB104	QER41CM-106	E-CAPACITOR	10MF 20% 16V		
CB121	QFLC1HJ-104ZM	M-CAPACITOR	.10MF 5% 50V		
CB122	QFLC1HJ-104ZM	M-CAPACITOR	.10MF 5% 50V		
CB202	QETB1CM-228N	E-CAPACITOR	2200MF 20% 16V		
CB203	QCB1HK-101Y	C-CAPACITOR	100PF 10% 50V		
CB204	QER41CM-106	E-CAPACITOR	10MF 20% 16V		
CB221	QFLC1HJ-104ZM	M-CAPACITOR	.10MF 5% 50V		
CB222	QFLC1HJ-104ZM	M-CAPACITOR	.10MF 5% 50V		
CLIP	VMZ0125-001Z	FUSE CLIP	SECONDARY F998		
CHA31	TLL25V-003	CONNECTOR			
CHA32	VMC0040-007	CONNECTOR			
CHA35	VMC0040-010	CONNECTOR			
CHA36	EMV7122-004Z	SOCKET			
CM901	TLL25V-003	CONNECTOR			
D 121	1S5133	SI DIODE			
D 221	1S5133	SI DIODE			
D 321	1S5133	SI DIODE			
D 353	1S5133	SI DIODE			
D 354	1S5133	SI DIODE			
D 361	RD5-1JSAB1	ZENER DIODE			
D 381	1S5133	SI DIODE			
D 901	MTZ6.8JC	ZENER DIODE			
D 902	1S5133	SI DIODE			
D 903	1S5133	SI DIODE			
D 911	MT78.2JAT-77	ZENER DIODE			
D 912	1S5133	SI DIODE			
D 913	1S5133	SI DIODE			
D 921	RD5-6JSAB1	ZENER DIODE			
D 922	1S5133	SI DIODE			
D 931	MTZ5.1JB	ZENER DIODE			
D 995	1S5133	SI DIODE			
D 996	1N5401TM	SI DIODE			
D 997	1N5401TM	SI DIODE			
D 998	1N5401TM	SI DIODE			
D 999	1N5401TM	SI DIODE			

REF.	PARTS NO.	PARTS NAME	REMARKS	SUFFIX
QA352	2SC2785	TRANSISTOR		
QA361	2SA952(L,K)	TRANSISTOR		
QA362	DTC114YS	TRANSISTOR		
R 101	QRD161J-531	CARBON RESISTOR	330 5% 1/6W	
R 102	QRD161J-331	CARBON RESISTOR	330 5% 1/6W	
R 106	QRD161J-2R2	CARBON RESISTOR	2.2 5% 1/6W	
R 107	QRD161J-2R2	CARBON RESISTOR	2.2 5% 1/6W	
R 108	QRD161J-121	CARBON RESISTOR	120 5% 1/6W	
R 121	QRD161J-471	CARBON RESISTOR	470 5% 1/6W	
R 124	QRD161J-274	CARBON RESISTOR	270K 5% 1/6W	
R 125	QRD161J-274	CARBON RESISTOR	270K 5% 1/6W	
R 126	QRD161J-103	CARBON RESISTOR	10K 5% 1/6W	
R 127	QRD161J-274	CARBON RESISTOR	270K 5% 1/6W	
R 141	QRD161J-104	CARBON RESISTOR	100K 5% 1/6W	
R 142	QRD161J-473	CARBON RESISTOR	47K 5% 1/6W	
R 143	QRD161J-593	CARBON RESISTOR	39K 5% 1/6W	
R 146	QRD161J-123	CARBON RESISTOR	12K 5% 1/6W	
R 150	QRD161J-101	CARBON RESISTOR	100 5% 1/6W	
R 151	QRD161J-393	CARBON RESISTOR	39K 5% 1/6W	
R 152	QRD161J-183	CARBON RESISTOR	18K 5% 1/6W	
R 153	QRD161J-104	CARBON RESISTOR	100K 5% 1/6W	
R 155	QRD161J-333	CARBON RESISTOR	33K 5% 1/6W	
R 157	QRD167J-682	CARBON RESISTOR	6.8K 5% 1/6W	
R 158	QRD161J-163	CARBON RESISTOR	16K 5% 1/6W	
R 161	QRD161J-222	CARBON RESISTOR	2.2K 5% 1/6W	
R 181	QRD161J-102	CARBON RESISTOR	1.0K 5% 1/6W	
R 183	QRD161J-822	CARBON RESISTOR	8.2K 5% 1/6W	
R 185	QRD161J-392	CARBON RESISTOR	3.9K 5% 1/6W	
R 186	QRD161J-822	CARBON RESISTOR	8.2K 5% 1/6W	
R 187	QRD161J-102	CARBON RESISTOR	1.0K 5% 1/6W	
R 208	QRD161J-121	CARBON RESISTOR	120 5% 1/6W	
R 221	QRD161J-471	CARBON RESISTOR	470 5% 1/6W	
R 224	QRD161J-274	CARBON RESISTOR	270K 5% 1/6W	
R 225	QRD161J-274	CARBON RESISTOR	270K 5% 1/6W	
R 226	QRD161J-103	CARBON RESISTOR	10K 5% 1/6W	
R 227	QRD161J-274	CARBON RESISTOR	270K 5% 1/6W	
R 241	QRD161J-104	CARBON RESISTOR	100K 5% 1/6W	
R 242	QRD161J-473	CARBON RESISTOR	47K 5% 1/6W	
R 243	QRD161J-593	CARBON RESISTOR	39K 5% 1/6W	
R 246	QRD161J-123	CARBON RESISTOR	12K 5% 1/6W	
R 250	QRD161J-101	CARBON RESISTOR	100 5% 1/6W	
R 251	QRD161J-393	CARBON RESISTOR	39K 5% 1/6W	
R 252	QRD161J-183	CARBON RESISTOR	18K 5% 1/6W	
R 253	QRD161J-104	CARBON RESISTOR	100K 5% 1/6W	
R 255	QRD161J-333	CARBON RESISTOR	33K 5% 1/6W	
R 257	QRD167J-682	CARBON RESISTOR	6.8K 5% 1/6W	
R 258	QRD161J-163	CARBON RESISTOR	16K 5% 1/6W	
R 261	QRD161J-222	CARBON RESISTOR	2.2K 5% 1/6W	
R 281	QRD161J-102	CARBON RESISTOR	1.0K 5% 1/6W	
R 283	QRD161J-822	CARBON RESISTOR	8.2K 5% 1/6W	
R 285	QRD161J-392	CARBON RESISTOR	3.9K 5% 1/6W	
R 286	QRD161J-822	CARBON RESISTOR	8.2K 5% 1/6W	
R 321	QRD161J-102	CARBON RESISTOR	1.0K 5% 1/6W	
R 322	QRD161J-102	CARBON RESISTOR	1.0K 5% 1/6W	
R 323	QRD161J-2R2	CARBON RESISTOR	2.2 5% 1/6W	

REF.	PARTS NO.	PARTS NAME	REMARKS	SUFFIX
R 324	QRD161J-473	CARBON RESISTOR	47K 5% 1/6W	
R 325	QRD161J-474	CARBON RESISTOR	470K 5% 1/6W	
R 326	QRD161J-103	CARBON RESISTOR	10K 5% 1/6W	
R 341	QRD161J-103	CARBON RESISTOR	10K 5% 1/6W	
R 342	QRD161J-103	CARBON RESISTOR	10K 5% 1/6W	
R 343	QRD161J-101	CARBON RESISTOR	100 5% 1/6W	
R 366	QRD167J-332	CARBON RESISTOR	3.3K 5% 1/6W	
R 368	QRD167J-332	CARBON RESISTOR	3.3K 5% 1/6W	
R 369	QRD167J-332	CARBON RESISTOR	3.3K 5% 1/6W	
R 370	QRD161J-391	CARBON RESISTOR	390 5% 1/6W	
R 371	QRD161J-820	CARBON RESISTOR	82 5% 1/6W	
R 372	QRD161J-164YT	CARBON RESISTOR	160K 5% 1/6W	
R 373	QRD161J-102	CARBON RESISTOR	1.0K 5% 1/6W	
R 374	QRD161J-102	CARBON RESISTOR	1.0K 5% 1/6W	
R 383	QRD167J-682	CARBON RESISTOR	6.8K 5% 1/6W	
R 384	QRD161J-102	CARBON RESISTOR	1.0K 5% 1/6W	
R 901	QRD161J-471	CARBON RESISTOR	470 5% 1/6W	
R 902	QRD161J-564	CARBON RESISTOR	560K 5% 1/6W	
R 903	QRD161J-471	CARBON RESISTOR	470 5% 1/6W	
R 904	QRD161J-473	CARBON RESISTOR	47K 5% 1/6W	
R 905	QRD167J-682	CARBON RESISTOR	6.8K 5% 1/6W	
R 906	QRD161J-223	CARBON RESISTOR	22K 5% 1/6W	
R 907	QRD161J-102	CARBON RESISTOR	1.0K 5% 1/6W	
R 908	QRD161J-821	CARBON RESISTOR	820 5% 1/6W	
R 909	QRD161J-222	CARBON RESISTOR	2.2K 5% 1/6W	
R 911	QRD161J-681	CARBON RESISTOR	680 5% 1/6W	
R 912	QRD161J-564	CARBON RESISTOR	560K 5% 1/6W	
R 913	QRD161J-471	CARBON RESISTOR	470 5% 1/6W	
R 914	QRD161J-473	CARBON RESISTOR	47K 5% 1/6W	
R 917	QRD161J-102	CARBON RESISTOR	1.0K 5% 1/6W	
R 918	QRD161J-122	CARBON RESISTOR	1.2K 5% 1/6W	
R 919	QRD161J-222	CARBON RESISTOR	2.2K 5% 1/6W	
R 921	QRD161J-272	CARBON RESISTOR	2.7K 5% 1/6W	
R 923	QRD161J-471	CARBON RESISTOR	470 5% 1/6W	
R 924	QRD161J-224	CARBON RESISTOR	220K 5% 1/6W	
R 925	QRD161J-224	CARBON RESISTOR	220K 5% 1/6W	
R 926	QRD161J-103	CARBON RESISTOR	10K 5% 1/6W	
R 927	QRD161J-822	CARBON RESISTOR	8.2K 5% 1/6W	
R 928	QRD161J-822	CARBON RESISTOR	8.2K 5% 1/6W	
R 931	QRD161J-151	CARBON RESISTOR	150 5% 1/6W	
R 932	QRD167J-562	CARBON RESISTOR	5.6K 5% 1/6W	
R 933	QRD167J-682	CARBON RESISTOR	6.8K 5% 1/6W	
R 941	QRD161J-471	CARBON RESISTOR	470 5% 1/6W	
R 942	QRD161J-223	CARBON RESISTOR	22K 5% 1/6W	
R 943	QRD161J-103	CARBON RESISTOR	10K 5% 1/6W	
R 944	QRD161J-103	CARBON RESISTOR	10K 5% 1/6W	
R 991	QRD161J-182	CARBON RESISTOR	1.8K 5% 1/6W	
R 992	QRD167J-332	CARBON RESISTOR	3.3K 5% 1/6W	
R 995	QRD161J-472	CARBON RESISTOR	4.7K 5% 1/6W	
RA101	QRD161J-104	CARBON RESISTOR	100K 5% 1/6W	
RA102	QRD161J-104	CARBON RESISTOR	100K 5% 1/6W	
RA103	QRD161J-560	CARBON RESISTOR	56 5% 1/6W	
RA104	QRD161J-123	CARBON RESISTOR	12K 5% 1/6W	
RA105	QRD161J-153	CARBON RESISTOR	15K 5% 1/6W	
RA106	QRD167J-562	CARBON RESISTOR	5.6K 5% 1/6W	

BLOCK NO. 01111111

REF.	PARTS NO.	PARTS NAME	REMARKS	SUFFIX
RA346	QRD161J-182	CARBON RESISTOR	1.8K 5% 1/6W	
RA347	QRD161J-123	CARBON RESISTOR	12K 5% 1/6W	
RA348	QRD161J-123	CARBON RESISTOR	12K 5% 1/6W	
RA349	QRD161J-473	CARBON RESISTOR	47K 5% 1/6W	
RA350	QRD161J-182	CARBON RESISTOR	1.8K 5% 1/6W	
RA351	QRD161J-103	CARBON RESISTOR	10K 5% 1/6W	
RA352	QRD161J-473	CARBON RESISTOR	47K 5% 1/6W	
RA353	QRD161J-394	CARBON RESISTOR	390K 5% 1/6W	
RA354	QRD161J-473	CARBON RESISTOR	47K 5% 1/6W	
RA356	QRD161J-822	CARBON RESISTOR	8.2K 5% 1/6W	
RA361	QRD161J-302	CARBON RESISTOR	3.0K 5% 1/6W	
RB123	QRD167J-473	CARBON RESISTOR	47K 5% 1/6W	
RB122	QRD167J-682	CARBON RESISTOR	6.8K 5% 1/6W	
RB123	QRD161J-152	CARBON RESISTOR	1.5K 5% 1/6W	
RB202	QRD161J-102	CARBON RESISTOR	1.0K 5% 1/6W	
RB232	QRD167J-682	CARBON RESISTOR	6.8K 5% 1/6W	
RB233	QRD161J-152	CARBON RESISTOR	1.5K 5% 1/6W	
VRA41	QVPA603-223A	SEMI.V.RESISTOR		
VRA61	QVPA603-102AZA	SEMI.V.RESISTOR		

BLOCK NO. 01111111

REF.	PARTS NO.	PARTS NAME	REMARKS	SUFFIX
RA107	QRD161J-153	CARBON RESISTOR	15K 5% 1/6W	
RA108	QRD161J-183	CARBON RESISTOR	18K 5% 1/6W	
RA111	QRD161J-153	CARBON RESISTOR	15K 5% 1/6W	
RA121	QRD161J-273	CARBON RESISTOR	27K 5% 1/6W	
RA122	QRD161J-823	CARBON RESISTOR	82K 5% 1/6W	
RA123	QRD161J-681	CARBON RESISTOR	680 5% 1/6W	
RA124	QRD161J-122	CARBON RESISTOR	1.2K 5% 1/6W	
RA125	QRD161J-560	CARBON RESISTOR	56 5% 1/6W	
RA126	QRD161J-561	CARBON RESISTOR	560 5% 1/6W	
RA127	QRD161J-820	CARBON RESISTOR	82 5% 1/6W	
RA128	QRD161J-472	CARBON RESISTOR	4.7K 5% 1/6W	
RA129	QRD161J-103	CARBON RESISTOR	10K 5% 1/6W	
RA130	QRD161J-472	CARBON RESISTOR	4.7K 5% 1/6W	
RA131	QRD161J-392	CARBON RESISTOR	3.9K 5% 1/6W	
RA132	QRD161J-333	CARBON RESISTOR	33K 5% 1/6W	
RA141	QRD167J-562	CARBON RESISTOR	5.6K 5% 1/6W	
RA201	QRD161J-104	CARBON RESISTOR	100K 5% 1/6W	
RA202	QRD161J-104	CARBON RESISTOR	100K 5% 1/6W	
RA203	QRD161J-560	CARBON RESISTOR	56 5% 1/6W	
RA204	QRD161J-123	CARBON RESISTOR	12K 5% 1/6W	
RA205	QRD161J-153	CARBON RESISTOR	15K 5% 1/6W	
RA206	QRD167J-562	CARBON RESISTOR	5.6K 5% 1/6W	
RA207	QRD161J-153	CARBON RESISTOR	15K 5% 1/6W	
RA208	QRD161J-183	CARBON RESISTOR	18K 5% 1/6W	
RA211	QRD161J-153	CARBON RESISTOR	15K 5% 1/6W	
RA221	QRD161J-273	CARBON RESISTOR	27K 5% 1/6W	
RA222	QRD161J-823	CARBON RESISTOR	82K 5% 1/6W	
RA223	QRD161J-681	CARBON RESISTOR	680 5% 1/6W	
RA224	QRD161J-122	CARBON RESISTOR	1.2K 5% 1/6W	
RA225	QRD161J-560	CARBON RESISTOR	56 5% 1/6W	
RA226	QRD161J-561	CARBON RESISTOR	560 5% 1/6W	
RA227	QRD161J-820	CARBON RESISTOR	82 5% 1/6W	
RA228	QRD161J-472	CARBON RESISTOR	4.7K 5% 1/6W	
RA229	QRD161J-103	CARBON RESISTOR	10K 5% 1/6W	
RA230	QRD161J-472	CARBON RESISTOR	4.7K 5% 1/6W	
RA231	QRD161J-392	CARBON RESISTOR	3.9K 5% 1/6W	
RA232	QRD161J-333	CARBON RESISTOR	33K 5% 1/6W	
RA241	QRD167J-562	CARBON RESISTOR	5.6K 5% 1/6W	
RA301	QRD161J-221	CARBON RESISTOR	220 5% 1/6W	
RA303	QRD161J-333	CARBON RESISTOR	33K 5% 1/6W	
RA307	QRD161J-333	CARBON RESISTOR	33K 5% 1/6W	
RA308	QRD161J-473	CARBON RESISTOR	47K 5% 1/6W	
RA309	QRD161J-471	CARBON RESISTOR	470 5% 1/6W	
RA312	QRD161J-103	CARBON RESISTOR	10K 5% 1/6W	
RA315	QRD161J-820	CARBON RESISTOR	82 5% 1/6W	
RA317	QRD161J-272	CARBON RESISTOR	2.7K 5% 1/6W	
RA321	QRD161J-101	CARBON RESISTOR	100 5% 1/6W	
RA322	QRD161J-105	CARBON RESISTOR	1.0M 5% 1/6W	
RA323	QRD161J-472	CARBON RESISTOR	4.7K 5% 1/6W	
RA340	QRD161J-680	CARBON RESISTOR	68 5% 1/6W	
RA341	QRD161J-560	CARBON RESISTOR	56 5% 1/6W	
RA342	QRD161J-101	CARBON RESISTOR	100 5% 1/6W	
RA343	QRD161J-3R9	CARBON RESISTOR	3.9 5% 1/6W	
RA344	QRD161J-153	CARBON RESISTOR	15K 5% 1/6W	
RA345	QRD161J-473	CARBON RESISTOR	47K 5% 1/6W	

System Microprocessor/Key Switch Board

Block No. 0 3

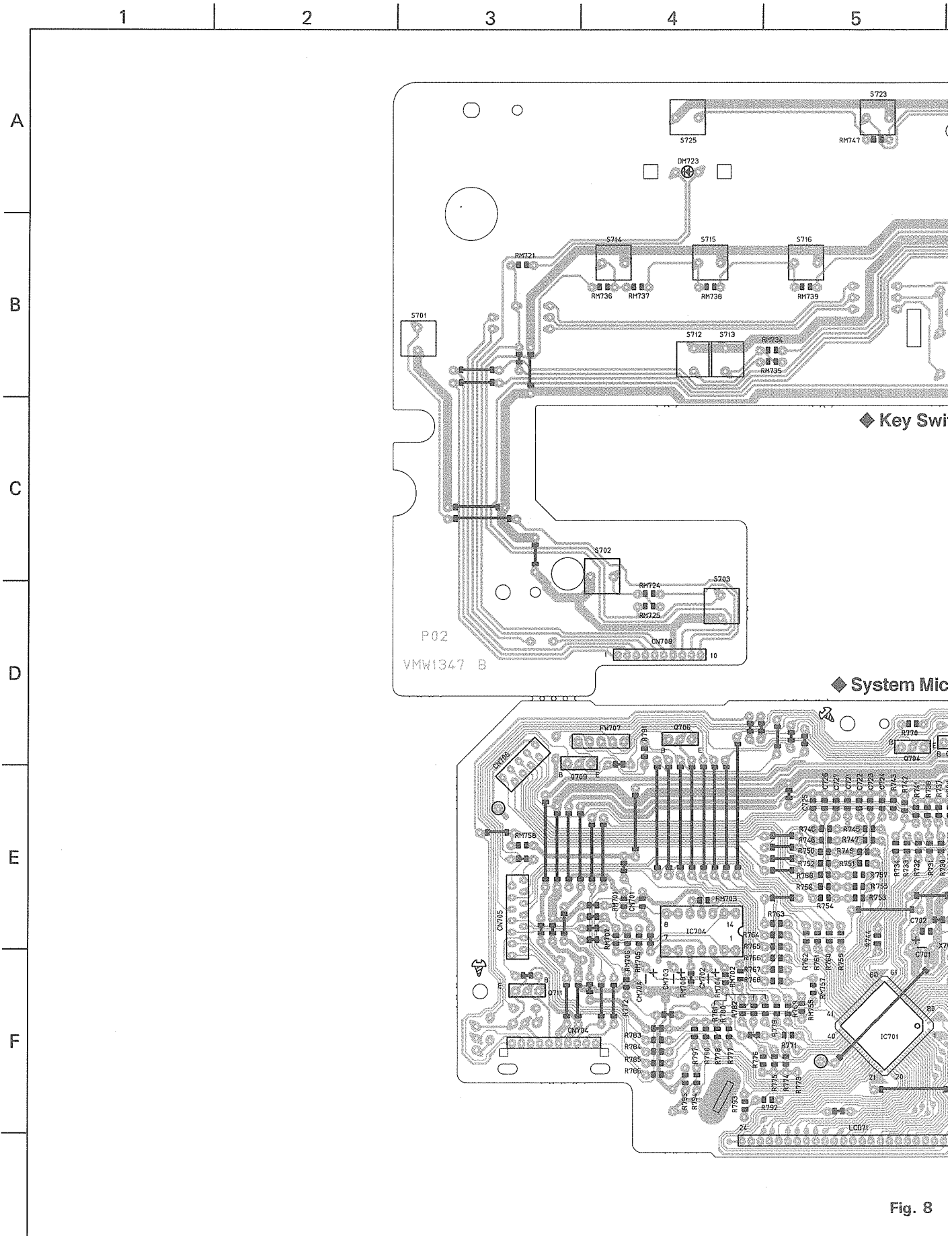


Fig. 8

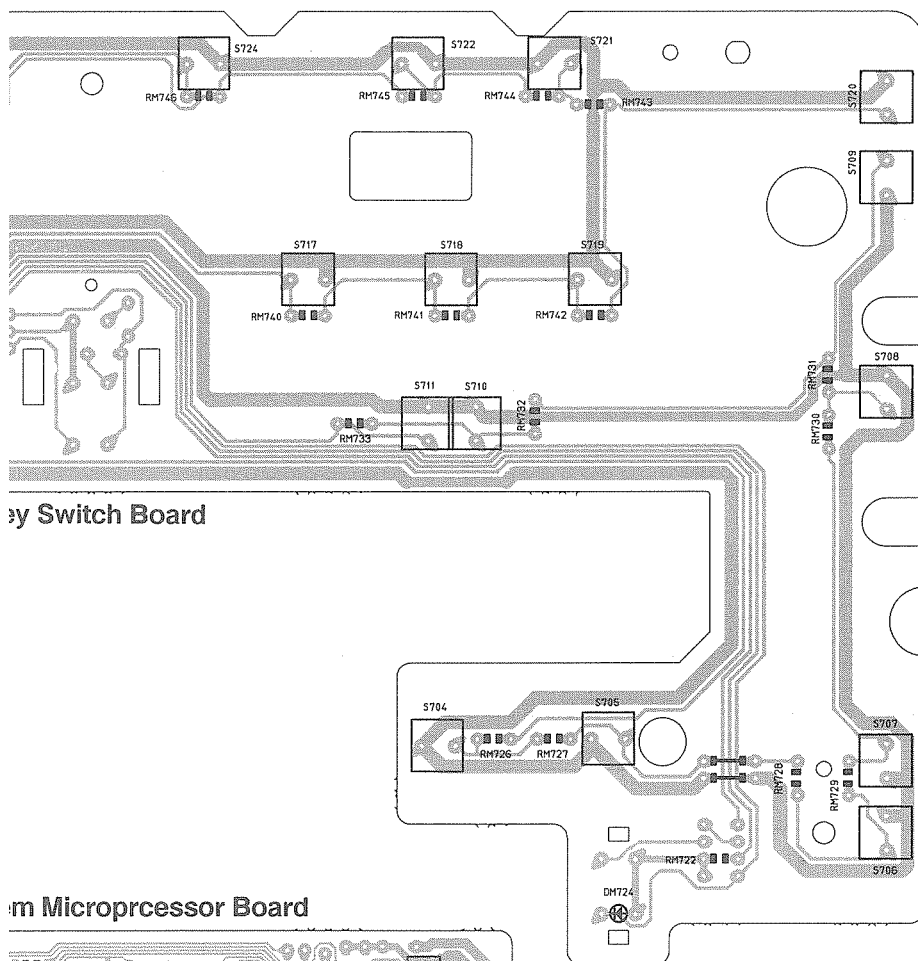
6

7

8

9

10



m Microprocessor Board

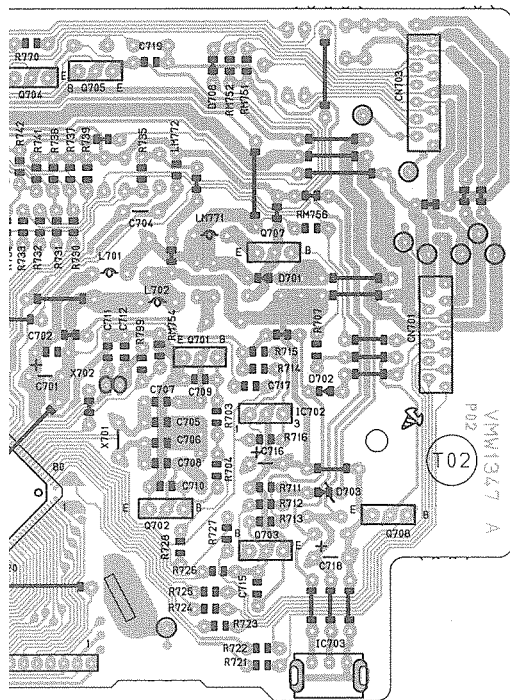


fig. 8

● System Microprocessor/Key Switch Board Parts List

BLOCK NO. 03		BLOCK NO. 03		BLOCK NO. 03		BLOCK NO. 03			
REF.	PARTS NO.	PARTS NAME	REMARKS	SUFFIX	REF.	PARTS NO.	PARTS NAME	REMARKS	SUFFIX
Q 702	2SA1175	TRANSISTOR			Q 702	2SA1175	TRANSISTOR		
Q 703	2SC2785	TRANSISTOR			Q 703	2SC2785	TRANSISTOR		
Q 704	DTC1141STP	TRANSISTOR			Q 704	DTC1141STP	TRANSISTOR		
Q 705	DTC114YS	TRANSISTOR			Q 705	DTC114YS	TRANSISTOR		
Q 706	DTC144TS	TRANSISTOR			Q 706	DTC144TS	TRANSISTOR		
Q 707	2SA952(L,K)	TRANSISTOR			Q 707	2SA952(L,K)	TRANSISTOR		
Q 708	DTC114YS	TRANSISTOR			Q 708	DTC114YS	TRANSISTOR		
Q 709	DTC144TS	TRANSISTOR			Q 709	DTC144TS	TRANSISTOR		
Q 711	DTC114YS	TRANSISTOR			Q 711	DTC114YS	TRANSISTOR		
R 703	QRD161J-681	CARBON RESISTOR			R 703	QRD161J-681	CARBON RESISTOR	680 5% 1/6W	
R 704	QRD161J-681	CARBON RESISTOR			R 704	QRD161J-681	CARBON RESISTOR	680 5% 1/6W	
R 707	QRD161J-222	CARBON RESISTOR			R 707	QRD161J-222	CARBON RESISTOR	2.2K 5% 1/6W	
R 711	QRD161J-103	CARBON RESISTOR			R 711	QRD161J-103	CARBON RESISTOR	10K 5% 1/6W	
R 712	QRD161J-473	CARBON RESISTOR			R 712	QRD161J-473	CARBON RESISTOR	47K 5% 1/6W	
R 713	QRD161J-104	CARBON RESISTOR			R 713	QRD161J-104	CARBON RESISTOR	100K 5% 1/6W	
R 714	QRD161J-103	CARBON RESISTOR			R 714	QRD161J-103	CARBON RESISTOR	10K 5% 1/6W	
R 716	QRD161J-103	CARBON RESISTOR			R 716	QRD161J-103	CARBON RESISTOR	10K 5% 1/6W	
R 721	QRD161J-222	CARBON RESISTOR			R 721	QRD161J-222	CARBON RESISTOR	2.2K 5% 1/6W	
R 722	QRD161J-472	CARBON RESISTOR			R 722	QRD161J-472	CARBON RESISTOR	4.7K 5% 1/6W	
R 723	QRD161J-222	CARBON RESISTOR			R 723	QRD161J-222	CARBON RESISTOR	2.2K 5% 1/6W	
R 724	QRD161J-222	CARBON RESISTOR			R 724	QRD161J-222	CARBON RESISTOR	2.2K 5% 1/6W	
R 725	QRD161J-222	CARBON RESISTOR			R 725	QRD161J-222	CARBON RESISTOR	2.2K 5% 1/6W	
R 726	QRD161J-222	CARBON RESISTOR			R 726	QRD161J-222	CARBON RESISTOR	2.2K 5% 1/6W	
R 727	QRD161J-222	CARBON RESISTOR			R 727	QRD161J-222	CARBON RESISTOR	2.2K 5% 1/6W	
R 728	QRD161J-222	CARBON RESISTOR			R 728	QRD161J-222	CARBON RESISTOR	2.2K 5% 1/6W	
R 730	QRD161J-103	CARBON RESISTOR			R 730	QRD161J-103	CARBON RESISTOR	10K 5% 1/6W	
R 731	QRD161J-103	CARBON RESISTOR			R 731	QRD161J-103	CARBON RESISTOR	10K 5% 1/6W	
R 732	QRD161J-103	CARBON RESISTOR			R 732	QRD161J-103	CARBON RESISTOR	10K 5% 1/6W	
R 733	QRD161J-222	CARBON RESISTOR			R 733	QRD161J-222	CARBON RESISTOR	2.2K 5% 1/6W	
R 734	QRD161J-222	CARBON RESISTOR			R 734	QRD161J-222	CARBON RESISTOR	2.2K 5% 1/6W	
R 735	QRD161J-102	CARBON RESISTOR			R 735	QRD161J-102	CARBON RESISTOR	1.0K 5% 1/6W	
R 737	QRD161J-103	CARBON RESISTOR			R 737	QRD161J-103	CARBON RESISTOR	10K 5% 1/6W	
R 738	QRD161J-103	CARBON RESISTOR			R 738	QRD161J-103	CARBON RESISTOR	10K 5% 1/6W	
R 739	QRD161J-103	CARBON RESISTOR			R 739	QRD161J-103	CARBON RESISTOR	10K 5% 1/6W	
R 741	QRD161J-103	CARBON RESISTOR			R 741	QRD161J-103	CARBON RESISTOR	10K 5% 1/6W	
R 742	QRD161J-102	CARBON RESISTOR			R 742	QRD161J-102	CARBON RESISTOR	1.0K 5% 1/6W	
R 743	QRD161J-103	CARBON RESISTOR			R 743	QRD161J-103	CARBON RESISTOR	10K 5% 1/6W	
R 744	QRD161J-222	CARBON RESISTOR			R 744	QRD161J-222	CARBON RESISTOR	2.2K 5% 1/6W	
R 745	QRD161J-222	CARBON RESISTOR			R 745	QRD161J-222	CARBON RESISTOR	2.2K 5% 1/6W	
R 746	QRD161J-102	CARBON RESISTOR			R 746	QRD161J-102	CARBON RESISTOR	1.0K 5% 1/6W	
R 747	QRD161J-102	CARBON RESISTOR			R 747	QRD161J-102	CARBON RESISTOR	1.0K 5% 1/6W	
R 748	QRD161J-102	CARBON RESISTOR			R 748	QRD161J-102	CARBON RESISTOR	1.0K 5% 1/6W	
R 749	QRD161J-102	CARBON RESISTOR			R 749	QRD161J-102	CARBON RESISTOR	1.0K 5% 1/6W	
R 750	QRD161J-102	CARBON RESISTOR			R 750	QRD161J-102	CARBON RESISTOR	1.0K 5% 1/6W	
R 751	QRD161J-102	CARBON RESISTOR			R 751	QRD161J-102	CARBON RESISTOR	1.0K 5% 1/6W	
R 752	QRD161J-102	CARBON RESISTOR			R 752	QRD161J-102	CARBON RESISTOR	1.0K 5% 1/6W	
R 753	QRD161J-102	CARBON RESISTOR			R 753	QRD161J-102	CARBON RESISTOR	1.0K 5% 1/6W	
R 754	QRD161J-102	CARBON RESISTOR			R 754	QRD161J-102	CARBON RESISTOR	1.0K 5% 1/6W	
R 755	QRD161J-102	CARBON RESISTOR			R 755	QRD161J-102	CARBON RESISTOR	1.0K 5% 1/6W	
R 756	QRD161J-102	CARBON RESISTOR			R 756	QRD161J-102	CARBON RESISTOR	1.0K 5% 1/6W	
R 757	QRD161J-102	CARBON RESISTOR			R 757	QRD161J-102	CARBON RESISTOR	1.0K 5% 1/6W	
R 758	QRD161J-102	CARBON RESISTOR			R 758	QRD161J-102	CARBON RESISTOR	1.0K 5% 1/6W	
R 759	QRD161J-222	CARBON RESISTOR			R 759	QRD161J-222	CARBON RESISTOR	2.2K 5% 1/6W	
R 760	QRD161J-222	CARBON RESISTOR			R 760	QRD161J-222	CARBON RESISTOR	2.2K 5% 1/6W	

BLOCK NO. 03		BLOCK NO. 03		BLOCK NO. 03		BLOCK NO. 03			
REF.	PARTS NO.	PARTS NAME	REMARKS	SUFFIX	REF.	PARTS NO.	PARTS NAME	REMARKS	SUFFIX
BD952	VH7900-002	BUS WIRE							
C 701	QET41AM-227	E-CAPACITOR	220MF 20% 10V						
C 702	QCVB1CM-103Y	C-CAPACITOR	.010MF 20% 16V						
C 704	QFV41HJ-104ZM	FILM CAPACITOR	.10MF 5% 50V						
C 705	QCT30CH-200Y	C-CAPACITOR	20PF 5% 50V						
C 706	QCT30CH-200Y	C-CAPACITOR	36PF 5% 50V						
C 707	QCS11HJ-360	C-CAPACITOR	39PF 5% 50V						
C 708	QCS31HJ-390Z	C-CAPACITOR	1000PF 10% 50V						
C 709	QCB1HK-102Y	C-CAPACITOR	1000PF 10% 50V						
C 710	QCB1HK-102Y	C-CAPACITOR	20PF 5% 50V						
C 711	QCT30CH-200Y	C-CAPACITOR	.010MF 20% 16V						
C 712	QCT30CH-200Y	C-CAPACITOR	4.7MF 20% 50V						
C 715	QCVB1CM-103Y	E-CAPACITOR	.010MF 20% 16V						
C 716	QET41HM-475	E-CAPACITOR	.010MF 20% 16V						
C 717	QCVB1CM-103Y	C-CAPACITOR	470PF 10% 50V						
C 718	QET41AM-476	E-CAPACITOR	470PF 10% 50V						
C 719	QCVB1CM-222Y	C-CAPACITOR	2200PF 20% 16V						
C 721	QCVB1CM-103Y	C-CAPACITOR	.010MF 20% 16V						
C 722	QCB1HK-471Y	C-CAPACITOR	470PF 10% 50V						
C 723	QCB1HK-471Y	C-CAPACITOR	470PF 10% 50V						
C 724	QCB1HK-471Y	C-CAPACITOR	470PF 10% 50V						
C 725	QCB1HK-471Y	C-CAPACITOR	470PF 10% 50V						
C 726	QCB1HK-471Y	C-CAPACITOR	470PF 10% 50V						
C 727	QCB1HK-471Y	C-CAPACITOR	470PF 10% 50V						
CM701	QCVB1CM-103Y	C-CAPACITOR	.010MF 20% 16V						
CM702	QET41HM-105	E-CAPACITOR	1.0MF 20% 50V						
CM703	QET41HM-105	E-CAPACITOR	1.0MF 20% 50V						
CM704	QET41HM-105	E-CAPACITOR	1.0MF 20% 50V						
CNU31	VMC0163-013	CONNECTOR	TO U-COM						
CNU32	VMC0163-014	CONNECTOR	TO U-COM						
CN101	VMC0238-005Z	CONNECTOR	H P						
CN301	VMC0041-004	CONNECTOR	TEST-POINT						
CN302	ENV7122-005Z	SOCKET	TO CD						
CM701	VMC0163-R13	CONNECTOR	TO AMP						
CM703	VMC0161-R12	CONNECTOR	TO CHANGER						
CM704	VMC0192-S10	CONNECTOR	TO SW						
CN705	VMC0163-R14	CONNECTOR	TO AMP						
CN706	VMC0163-R09	CONNECTOR	TO CD						
CN708	VMC0192-P10	CONNECTOR	TO CD						
D 701	1SS119-02	SI DIODE							
D 702	RB7210	DIODE							
D 703	MTZ5.1JC	ZENER DIODE							
D 708	1SS119-02	SI DIODE							
DM723	SLR-34VCF25	LED	AHB						
DM724	SLR-34VCF3F	LED	POWER						
IC701	UPD75336GC-114	IC	CPU						
IC702	PST600H-T	IC	RESET						
IC703	SBX1790-52	IC	REMCON						
IC704	BA10324	IC	REMCON SENSOR						
L 701	VGP0028-100Z	INDUCTOR							
L 702	VGZ0048-009	INDUCTOR							
LC071	VGL1157-101	LCD	LCD						
LM771	VGP0028-100Z	INDUCTOR							
LM772	VGP0018-4R7	INDUCTOR							
Q 701	2SA1175	TRANSISTOR	=R705						

BLOCK NO. 03111111

A	REF.	PARTS NO.	PARTS NAME	REMARKS	SUFFIX
	R 761	QRD161J-102	CARBON RESISTOR	1.0K 5% 1/6W	
	R 762	QRD161J-103	CARBON RESISTOR	10K 5% 1/6W	
	R 763	QRD161J-473	CARBON RESISTOR	47K 5% 1/6W	
	R 764	QRD161J-103	CARBON RESISTOR	10K 5% 1/6W	
	R 765	QRD161J-103	CARBON RESISTOR	10K 5% 1/6W	
	R 766	QRD161J-222	CARBON RESISTOR	2.2K 5% 1/6W	
	R 767	QRD161J-222	CARBON RESISTOR	2.2K 5% 1/6W	
	R 768	QRD161J-102	CARBON RESISTOR	1.0K 5% 1/6W	
	R 769	QRD161J-102	CARBON RESISTOR	1.0K 5% 1/6W	
	R 770	QRD161J-102	CARBON RESISTOR	1.0K 5% 1/6W	
	R 771	QRD161J-222	CARBON RESISTOR	2.2K 5% 1/6W	
	R 772	QRD161J-104	CARBON RESISTOR	100K 5% 1/6W	
	R 774	QRD161J-562	CARBON RESISTOR	5.6K 5% 1/6W	
	R 775	QRD161J-562	CARBON RESISTOR	5.6K 5% 1/6W	
	R 776	QRD161J-562	CARBON RESISTOR	5.6K 5% 1/6W	
	R 777	QRD161J-562	CARBON RESISTOR	5.6K 5% 1/6W	
	R 778	QRD161J-562	CARBON RESISTOR	5.6K 5% 1/6W	
	R 779	QRD161J-222	CARBON RESISTOR	2.2K 5% 1/6W	
	R 780	QRD161J-104	CARBON RESISTOR	100K 5% 1/6W	
	R 781	QRD161J-224	CARBON RESISTOR	220K 5% 1/6W	
	R 782	QRD161J-224	CARBON RESISTOR	220K 5% 1/6W	
	R 783	QRD161J-102	CARBON RESISTOR	1.0K 5% 1/6W	
	R 784	QRD161J-222	CARBON RESISTOR	2.2K 5% 1/6W	
	R 785	QRD161J-222	CARBON RESISTOR	2.2K 5% 1/6W	
	R 786	QRD161J-222	CARBON RESISTOR	2.2K 5% 1/6W	
	R 791	QRD161J-102	CARBON RESISTOR	1.0K 5% 1/6W	
	R 792	QRD161J-103	CARBON RESISTOR	100K 5% 1/6W	
	R 793	QRD161J-104	CARBON RESISTOR	100K 5% 1/6W	
	R 794	QRD161J-104	CARBON RESISTOR	100K 5% 1/6W	
	R 795	QRD161J-104	CARBON RESISTOR	100K 5% 1/6W	
	R 796	QRD161J-562	CARBON RESISTOR	5.6K 5% 1/6W	
	R 797	QRD161J-562	CARBON RESISTOR	5.6K 5% 1/6W	
	R 799	QRD161J-223	CARBON RESISTOR	22K 5% 1/6W	
	RM701	QRD161J-101	CARBON RESISTOR	100 5% 1/6W	
	RM702	QRD161J-103	CARBON RESISTOR	10K 5% 1/6W	
	RM703	QRD161J-103	CARBON RESISTOR	10K 5% 1/6W	
	RM704	QRD161J-103	CARBON RESISTOR	10K 5% 1/6W	
	RM705	QRD161J-562	CARBON RESISTOR	5.6K 5% 1/6W	
	RM706	QRD161J-562	CARBON RESISTOR	5.6K 5% 1/6W	
	RM707	QRD161J-562	CARBON RESISTOR	5.6K 5% 1/6W	
	RM721	QRD161J-221	CARBON RESISTOR	220 5% 1/6W	
	RM722	QRD161J-271	CARBON RESISTOR	270 5% 1/6W	
	RM724	QRD161J-221	CARBON RESISTOR	220 5% 1/6W	
	RM725	QRD161J-681	CARBON RESISTOR	680 5% 1/6W	
	RM726	QRD161J-821	CARBON RESISTOR	820 5% 1/6W	
	RM727	QRD161J-152	CARBON RESISTOR	1.5K 5% 1/6W	
	RM728	QRD161J-182	CARBON RESISTOR	1.8K 5% 1/6W	
	RM729	QRD161J-222	CARBON RESISTOR	2.2K 5% 1/6W	
	RM730	QRD161J-272	CARBON RESISTOR	2.7K 5% 1/6W	
	RM731	QRD161J-392	CARBON RESISTOR	3.9K 5% 1/6W	
	RM732	QRD161J-562	CARBON RESISTOR	5.6K 5% 1/6W	
	RM733	QRD161J-103	CARBON RESISTOR	10K 5% 1/6W	
	RM734	QRD161J-153	CARBON RESISTOR	15K 5% 1/6W	
	RM735	QRD161J-563	CARBON RESISTOR	56K 5% 1/6W	
	RM736	QRD161J-221	CARBON RESISTOR	220 5% 1/6W	

BLOCK NO. 03111111

A	REF.	PARTS NO.	PARTS NAME	REMARKS	SUFFIX
	RM737	QRD161J-681	CARBON RESISTOR	680 5% 1/6W	
	RM738	QRD161J-821	CARBON RESISTOR	820 5% 1/6W	
	RM739	QRD161J-152	CARBON RESISTOR	1.5K 5% 1/6W	
	RM740	QRD161J-182	CARBON RESISTOR	1.8K 5% 1/6W	
	RM741	QRD161J-222	CARBON RESISTOR	2.2K 5% 1/6W	
	RM742	QRD161J-272	CARBON RESISTOR	2.7K 5% 1/6W	
	RM743	QRD161J-392	CARBON RESISTOR	3.9K 5% 1/6W	
	RM744	QRD161J-562	CARBON RESISTOR	5.6K 5% 1/6W	
	RM745	QRD161J-103	CARBON RESISTOR	10K 5% 1/6W	
	RM746	QRD161J-153	CARBON RESISTOR	15K 5% 1/6W	
	RM747	QRD161J-563	CARBON RESISTOR	56K 5% 1/6W	
	RM751	QRD161J-273	CARBON RESISTOR	27K 5% 1/6W	
	RM752	QRD161J-273	CARBON RESISTOR	27K 5% 1/6W	
	RM754	QRD161J-105	CARBON RESISTOR	1.0M 5% 1/6W	
	RM755	QRD161J-222	CARBON RESISTOR	2.2K 5% 1/6W	
	RM756	QRD161J-104	CARBON RESISTOR	100K 5% 1/6W	
	RM757	QRD161J-223	CARBON RESISTOR	22K 5% 1/6W	
	RM758	QRD161J-473	CARBON RESISTOR	47K 5% 1/6W	
	S 701	QSQA11-V04Z	TACT SWITCH	POWER BAND	
	S 702	QSQA11-V04Z	TACT SWITCH	BAND	
	S 703	QSQA11-V04Z	TACT SWITCH	PRESET DOWN	
	S 704	QSQA11-V04Z	TACT SWITCH	UP	
	S 705	QSQA11-V04Z	TACT SWITCH	PLAY	
	S 706	QSQA11-V04Z	TACT SWITCH	STOP	
	S 708	QSQA11-V04Z	TACT SWITCH	OP7CL	
	S 709	QSQA11-V04Z	TACT SWITCH	TPOS	
	S 710	QSQA11-V04Z	TACT SWITCH	MEMO	
	S 711	QSQA11-V04Z	TACT SWITCH	EXTRA	
	S 712	QSQA11-V04Z	TACT SWITCH	REPEAT	
	S 713	QSQA11-V04Z	TACT SWITCH	DCHECK	
	S 714	QSQA11-V04Z	TACT SWITCH	D1	
	S 715	QSQA11-V04Z	TACT SWITCH	D2	
	S 716	QSQA11-V04Z	TACT SWITCH	D3	
	S 717	QSQA11-V04Z	TACT SWITCH	D4	
	S 718	QSQA11-V04Z	TACT SWITCH	D5	
	S 719	QSQA11-V04Z	TACT SWITCH	D6	
	S 720	QSQA11-V04Z	TACT SWITCH	DUB	
	S 721	QSQA11-V04Z	TACT SWITCH	TRE	
	S 722	QSQA11-V04Z	TACT SWITCH	BASS	
	S 723	QSQA11-V04Z	TACT SWITCH	-	
	S 724	QSQA11-V04Z	TACT SWITCH	+	
	S 725	QSQA11-V04Z	TACT SWITCH	AHB	
	X 701	M1ZCRHF4.19	CERA LOCK	MAIN	
	X 702	VCX5000-002	CRYSTAL	32K	

Tuner Board

Block No. **04**

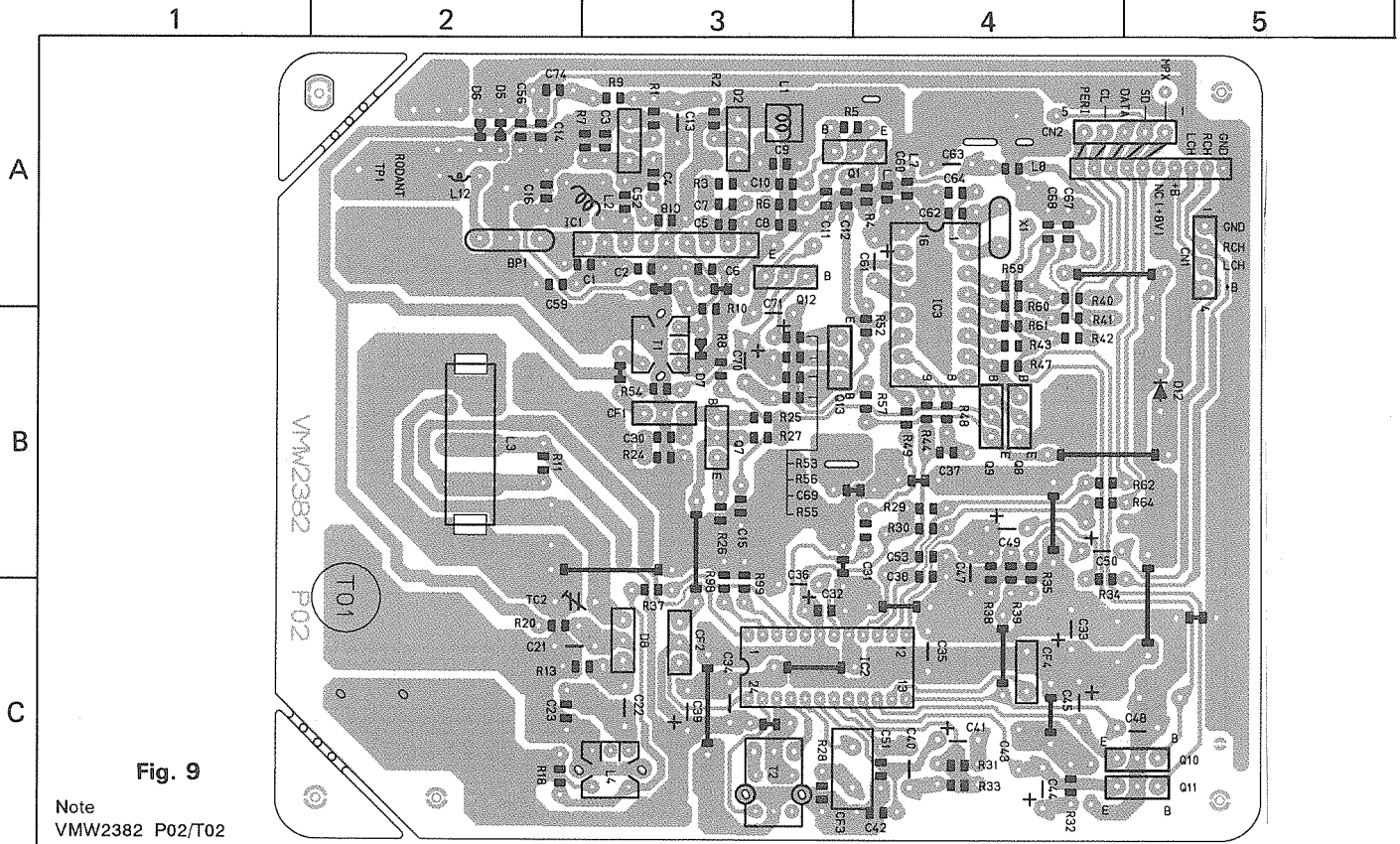


Fig. 9

Note
VMW2382 P02/T02

Tuner Board Parts List (C/J Version)

REF.	PARTS NO.	PARTS NAME	REMARKS	SUFFIX
BP	1	VBPAW3B-005	BPF	
C	1	QCS11HJ-200	20PF 5% 50V	
C	2	QCB1HK-102Y	1000PF 10% 50V	
C	3	QCS1HK-8R2Y	8.2PF 10% 50V	
C	4	QCS11HJ-100	10PF 5% 50V	
C	5	QCS11HJ-180	18PF 5% 50V	
C	6	QCVB1CN-103Y	.010MF 30% 16V	
C	7	QCS11HJ-200	20PF 5% 50V	
C	8	QCVB1CN-103Y	.010MF 30% 16V	
C	9	QCS1HK-8R2Y	8.2PF 10% 50V	
C	10	QCS1HK-2R2Y	2.2PF 10% 50V	
C	11	QCVB1CN-103Y	.010MF 30% 16V	
C	12	QCB1HK-151Y	150PF 10% 50V	
C	13	QCC11EM-223V	.022MF 20% 25V	
C	14	QCB1HK-102Y	1000PF 10% 50V	
C	15	QCVB1CN-103Y	.010MF 30% 16V	
C	16	QCVB1CN-103Y	.010MF 30% 16V	
C	18	QCVB1CN-103Y	.010MF 30% 16V	
C	21	QCC11EM-473V	.047MF 20% 25V	
C	22	QFP41HJ-431	PP-CAPACITOR	
C	23	QCT30CH-120Y	12PF 5% 50V	
C	30	QCVB1CN-103Y	.010MF 30% 16V	
C	31	QCVB1CN-103Y	.010MF 30% 16V	
C	32	QCVB1CN-103Y	.010MF 30% 16V	
C	33	QET41AM-107	100MF 20% 10V	
C	34	QCC11EM-473V	.047MF 20% 25V	
C	35	QCC11EM-473V	.047MF 20% 25V	
C	36	QET41CM-106	10MF 20% 16V	
C	37	QCVB1CN-103Y	.010MF 30% 16V	
C	38	QCB1HK-102Y	1000PF 10% 50V	
C	39	QET41CM-106	10MF 20% 16V	
C	40	QCC31EM-333ZV	.033MF 20% 25V	
C	41	QET41CM-106	10MF 20% 16V	
C	42	QCS11HJ-680	68PF 5% 50V	
C	43	QCVB1CN-103Y	.010MF 30% 16V	
C	44	QETC1HM-104Z	.10MF 20% 50V	
C	45	QET41HM-474	.47MF 20% 50V	
C	47	QCC31EM-153ZV	.015MF 20% 25V	
C	48	QCC31EM-153ZV	.015MF 20% 25V	
C	49	QET41HM-105	1.0MF 20% 50V	
C	50	QET41HM-105	1.0MF 20% 50V	
C	51	QCB1HK-331Y	330PF 10% 50V	
C	52	QCB1HK-102Y	1000PF 10% 50V	
C	53	QCS11HJ-150	15PF 5% 50V	
C	56	QCVB1CN-103Y	.010MF 30% 16V	
C	59	QCB1HK-102Y	1000PF 10% 50V	
C	60	QCB1HK-102Y	1000PF 10% 50V	
C	61	QET41AM-107	100MF 20% 10V	
C	62	QCS11HJ-100	10PF 5% 50V	
C	63	QCC11EM-473V	.047MF 20% 25V	
C	64	QCS11HJ-270	27PF 5% 50V	
C	67	QCB1HK-101Y	100PF 10% 50V	
C	58	QCB1HK-151Y	150PF 10% 50V	
C	59	QCX01CM-222Y	2200PF 20% 16V	
C	70	QFV41HJ-224	FILM CAPACITOR .22MF 5% 50V	

REF.	PARTS NO.	PARTS NAME	REMARKS	SUFFIX
R 32	QRD161J-223	CARBON RESISTOR	22K 5% 1/6W	
R 33	QRD161J-333	CARBON RESISTOR	33K 5% 1/6W	
R 34	QRD161J-222	CARBON RESISTOR	2.2K 5% 1/6W	
R 35	QRD161J-222	CARBON RESISTOR	2.2K 5% 1/6W	
R 37	QRD161J-560	CARBON RESISTOR	56 5% 1/6W	
R 38	QRD161J-392	CARBON RESISTOR	3.9K 5% 1/6W	
R 39	QRD161J-392	CARBON RESISTOR	3.9K 5% 1/6W	
R 40	QRD161J-222	CARBON RESISTOR	2.2K 5% 1/6W	
R 41	QRD161J-222	CARBON RESISTOR	2.2K 5% 1/6W	
R 42	QRD161J-222	CARBON RESISTOR	2.2K 5% 1/6W	
R 43	QRD161J-103	CARBON RESISTOR	10K 5% 1/6W	
R 44	QRD161J-183	CARBON RESISTOR	18K 5% 1/6W	
R 47	QRD161J-103	CARBON RESISTOR	10K 5% 1/6W	
R 48	QRD161J-331	CARBON RESISTOR	330 5% 1/6W	
R 49	QRD161J-102	CARBON RESISTOR	1.0K 5% 1/6W	
R 52	QRD161J-472	CARBON RESISTOR	4.7K 5% 1/6W	
R 53	QRD161J-471	CARBON RESISTOR	470 5% 1/6W	
R 54	QRD161J-222	CARBON RESISTOR	2.2K 5% 1/6W	
R 55	QRD161J-472	CARBON RESISTOR	4.7K 5% 1/6W	
R 56	QRD167J-332	CARBON RESISTOR	3.3K 5% 1/6W	
R 57	QRD161J-102	CARBON RESISTOR	1.0K 5% 1/6W	
R 59	QRD161J-222	CARBON RESISTOR	2.2K 5% 1/6W	
R 60	QRD161J-222	CARBON RESISTOR	2.2K 5% 1/6W	
R 61	QRD161J-222	CARBON RESISTOR	2.2K 5% 1/6W	
R 62	QRD161J-102	CARBON RESISTOR	1.0K 5% 1/6W	
R 64	QRD161J-102	CARBON RESISTOR	1.0K 5% 1/6W	
R 98	QRD161J-103	CARBON RESISTOR	10K 5% 1/6W	
R 99	QRD161J-822	CARBON RESISTOR	8.2K 5% 1/6W	
T 1	VQI7F12-110	IFT	FM IF	
T 2	VQI7A21-109	IFT	FM IF	
TC 2	QAT3722-200ZM	T-CAPACITOR	MW RF	
TP 1	VMZ0015-002	POST PIN	TO ROD ANT	
X 1	V472124-A0	CRYSTAL		

REF.	PARTS NO.	PARTS NAME	REMARKS	SUFFIX
C 71	QETC1HM-335Z	E-CAPACITOR	3.3MF 20% 50V	
C 74	QCB81HK-151Y	C-CAPACITOR	150PF 10% 50V	
CF 1	VCF2L3B-108Z	CERAMIC FILTER		
CF 2	VCF2L3B-108Z	CERAMIC FILTER		
CF 3	VCF4I2Z-115Z	CERAMIC FILTER		
CF 4	CSB456F29	CERA LOCK		
CN 1	VMC0238-004Z	CONNECTOR	TO MAIN	
CN 2	VMC0238-005Z	CONNECTOR	TO U-COM	
D 1	SVC203SPA-AB-AL	VARI CAP		
D 2	SVC203SPA-AB-AL	VARI CAP		
D 5	1SS133	SI DIODE		
D 6	1SS133	SI DIODE		
D 7	1SS133	SI DIODE		
D 8	SVC344-AA	VARI CAP		
D 12	DSK10C-E	DIODE		
IC 1	TA7358P	IC		
IC 2	TA2057N	IC		
IC 3	TC9216P	IC		
L 1	VQF1B20-017	OSC COIL	FM OSC	
L 2	VQC1505-002	RF COIL	FM RF	
L 3	VGR008M-504M	BAR ANTENA	MW RF	
L 4	VQM7U02-404	OSC COIL (MW)	MW OSC	
L 7	VQP0018-4R7	INDUCTOR		
L 8	VQP0018-221	INDUCTOR		
L 12	V03047-17	COIL	RF COIL	
Q 1	2SC1923	TRANSISTOR		
Q 7	2SC1923	TRANSISTOR		
Q 8	UN4214	TRANSISTOR		
Q 9	DA114YS	TRANSISTOR		
Q 10	2SA1175	TRANSISTOR		
Q 11	2SA1175	TRANSISTOR		
Q 12	2SC2785	TRANSISTOR		
Q 13	2SC2785	TRANSISTOR		
R 1	QRD161J-104	CARBON RESISTOR	100K 5% 1/6W	
R 2	QRD161J-473	CARBON RESISTOR	47K 5% 1/6W	
R 3	QRD167J-4R7	CARBON RESISTOR	4.7 5% 1/6W	
R 4	QRD161J-102	CARBON RESISTOR	1.0K 5% 1/6W	
R 5	QRD161J-823	CARBON RESISTOR	82K 5% 1/6W	
R 6	QRD161J-101	CARBON RESISTOR	100 5% 1/6W	
R 7	QRD161J-104	CARBON RESISTOR	100K 5% 1/6W	
R 8	QRD161J-101	CARBON RESISTOR	100 5% 1/6W	
R 9	QRD161J-102	CARBON RESISTOR	1.0K 5% 1/6W	
R 10	QRD161J-101	CARBON RESISTOR	100 5% 1/6W	
R 11	QRD167J-332	CARBON RESISTOR FOR J		
R 13	QRD161J-104	CARBON RESISTOR	100K 5% 1/6W	
R 18	QRD161J-102	CARBON RESISTOR	1.0K 5% 1/6W	
R 20	QRD161J-102	CARBON RESISTOR	1.0K 5% 1/6W	
R 24	QRD161J-331	CARBON RESISTOR	330 5% 1/6W	
R 25	QRD161J-334	CARBON RESISTOR	330K 5% 1/6W	
R 26	QRD161J-100	CARBON RESISTOR	10 5% 1/6W	
R 27	QRD161J-331	CARBON RESISTOR	330 5% 1/6W	
R 28	QRD161J-271	CARBON RESISTOR	270 5% 1/6W	
R 29	QRD161J-103	CARBON RESISTOR	10K 5% 1/6W	
R 30	QRD161J-103	CARBON RESISTOR	10K 5% 1/6W	
R 31	QRD161J-393	CARBON RESISTOR	39K 5% 1/6W	

CD Amplifier Board Block No. 0 2

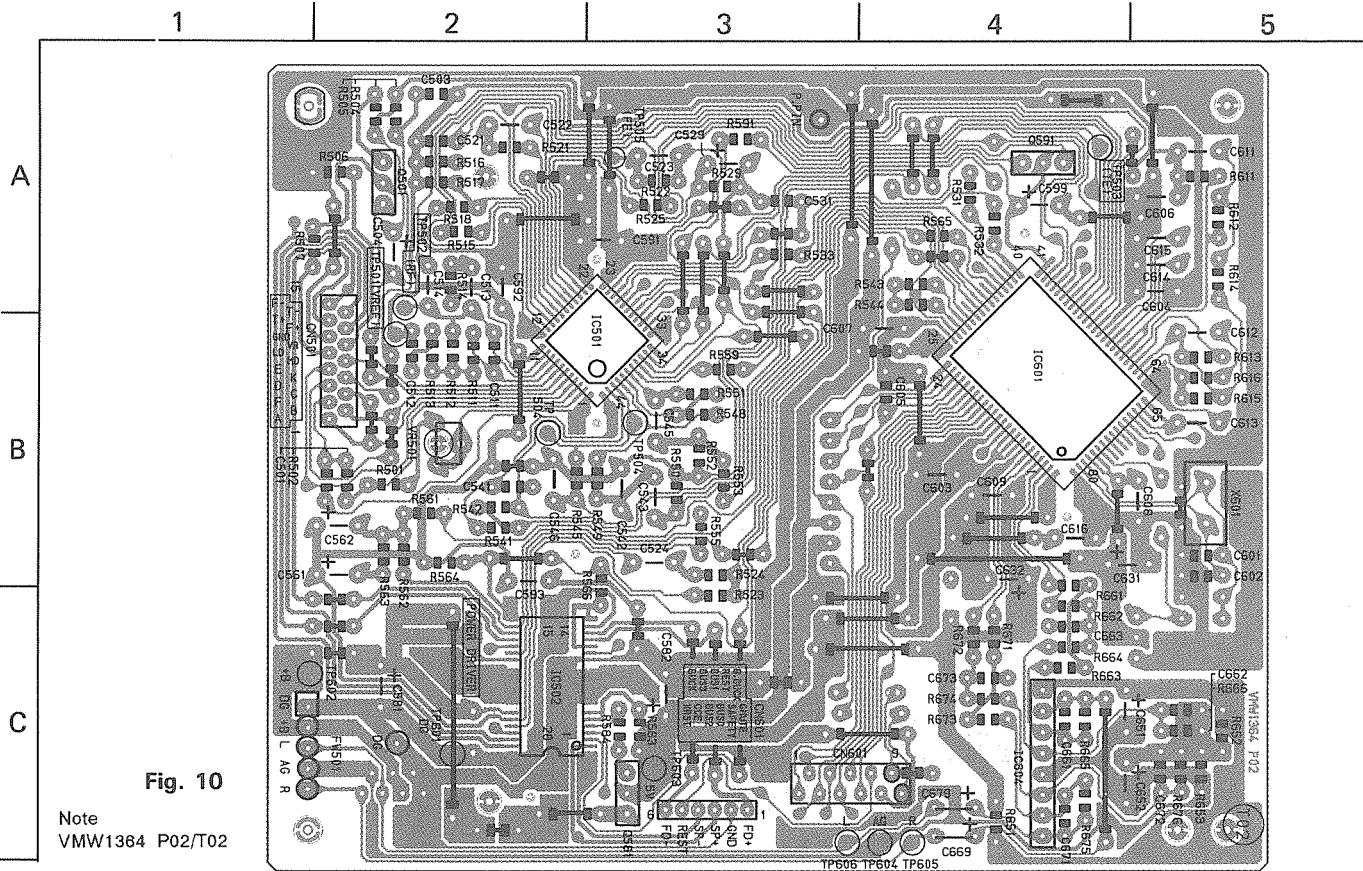


Fig. 10

Note VMW1364 P02/T02

CD Amplifier Board Parts List

BLOCK NO. 02		REMARKS	SUFFIX
A	REF.	PARTS NO.	PARTS NAME
	C 501	QCB81HK-821Y	C. CAPACITOR
	C 503	QCVB1CM-103Y	C. CAPACITOR
	C 504	QET41CM-106	E. CAPACITOR
	C 511	QCSB1HJ-3R9	C. CAPACITOR
	C 512	QCS11HJ-270	C. CAPACITOR
	C 513	QFLC1HJ-104ZM	M. CAPACITOR
	C 514	QFN41HJ-472	M. CAPACITOR
	C 521	QCB81HK-331Y	C. CAPACITOR
	C 522	QFLC1HJ-473ZM	M. CAPACITOR
	C 523	QFV81HJ-154	FILM CAPACITOR
	C 524	QEP1CM-475ZM	NP.E. CAPACITOR
	C 529	QET1AM-336ZM	E. CAPACITOR
	C 531	QCVB1CM-822Y	C. CAPACITOR
	C 541	QCB81HK-101Y	C. CAPACITOR
	C 542	QFLC1HJ-103ZM	M. CAPACITOR
	C 543	QFLC1HJ-393ZM	M. CAPACITOR
	C 545	QEN61HM-105Z	NP.E. CAPACITOR
	C 546	QFLC1HJ-223ZM	M. CAPACITOR
	C 561	QET41AM-476	E. CAPACITOR
	562	QET41HM-475	E. CAPACITOR
	C 581	QET41AM-477	E. CAPACITOR
	C 582	QEK41CM-476	E. CAPACITOR
	C 591	VCPO012-105Z	C. CAPACITOR
	C 592	VCPO012-105Z	C. CAPACITOR
	C 593	QCC11EM-104V	C. CAPACITOR
	C 599	QEK61AM-107ZM	E. CAPACITOR
	C 601	QCS11HJ-220	C. CAPACITOR
	C 602	QCS11HJ-220	C. CAPACITOR
	C 603	QFV41HJ-104ZM	FILM CAPACITOR
	C 604	QCC11EM-104V	C. CAPACITOR
	C 605	QCVB1CM-103Y	C. CAPACITOR
	C 606	QCC11EM-473V	C. CAPACITOR
	C 607	QFV41HJ-104ZM	FILM CAPACITOR
	C 608	QCC11EM-473V	C. CAPACITOR
	C 609	QFV41HJ-104ZM	FILM CAPACITOR
	C 611	QCS11HJ-101	C. CAPACITOR
	C 612	QFLC1HJ-103ZM	M. CAPACITOR
	C 613	QFLC1HJ-103ZM	M. CAPACITOR
	C 614	QFN41HJ-332	M. CAPACITOR
	C 615	QFN41HJ-332	M. CAPACITOR
	C 616	QCC11EM-103V	C. CAPACITOR
	C 631	QEK61AM-107ZM	E. CAPACITOR
	C 632	QER40JM-107	E. CAPACITOR
	C 651	QEK61AM-107ZM	E. CAPACITOR
	C 652	QEK41CM-226	E. CAPACITOR
	C 661	QCB81HK-101Y	C. CAPACITOR
	C 662	QCB81HK-101Y	C. CAPACITOR
	C 663	QCS11HJ-270	C. CAPACITOR
	C 669	QEK61HM-335ZM	E. CAPACITOR
	C 671	QCB81HK-101Y	C. CAPACITOR
	C 672	QCB81HK-101Y	C. CAPACITOR
	C 673	QCS11HJ-270	C. CAPACITOR
	C 679	QEK61HM-335ZM	E. CAPACITOR
	CN501	EMV7144-015R	15PIN CONNECTOR
	CN502	VMC0075-006N	CONNECTOR

BLOCK NO. 02111111

REF.	PARTS NO.	PARTS NAME	REMARKS	SUFFIX
R 613	QRD161J-224	CARBON RESISTOR	220K 5% 1/6W	
R 614	QRD161J-473	CARBON RESISTOR	47K 5% 1/6W	
R 615	QRD161J-225	CARBON RESISTOR	2.2M 5% 1/6W	
R 616	QRD161J-333	CARBON RESISTOR	33K 5% 1/6W	
R 651	QRD161J-820	CARBON RESISTOR	82 5% 1/6W	
R 652	QRD161J-473	CARBON RESISTOR	47K 5% 1/6W	
R 653	QRD161J-473	CARBON RESISTOR	47K 5% 1/6W	
R 661	QRD161J-473	CARBON RESISTOR	47K 5% 1/6W	
R 662	QRD161J-473	CARBON RESISTOR	47K 5% 1/6W	
R 663	QRD161J-473	CARBON RESISTOR	47K 5% 1/6W	
R 664	QRD161J-473	CARBON RESISTOR	47K 5% 1/6W	
R 665	QRD161J-223	CARBON RESISTOR	22K 5% 1/6W	
R 666	QRD161J-223	CARBON RESISTOR	22K 5% 1/6W	
R 671	QRD161J-473	CARBON RESISTOR	47K 5% 1/6W	
R 672	QRD161J-473	CARBON RESISTOR	47K 5% 1/6W	
R 673	QRD161J-473	CARBON RESISTOR	47K 5% 1/6W	
R 674	QRD161J-473	CARBON RESISTOR	47K 5% 1/6W	
R 675	QRD161J-223	CARBON RESISTOR	22K 5% 1/6W	
R 676	QRD161J-223	CARBON RESISTOR	22K 5% 1/6W	
VR501	0VZ3523-154AZ	V. RESISTOR		
X 601	CSA16-93MKZ0401	CERA LOCK	16.9344MHZ	

BLOCK NO. 02111111

REF.	PARTS NO.	PARTS NAME	REMARKS	SUFFIX
CN601	VMCO163-009	CONNECTOR	TO CPU	
IC501	TA8191F	IC		
IC502	BA6298FP	IC	POWER DRIVER	
IC601	TC9284BF	IC		
IC604	BA1518N	IC	L.P.F	
Q 501	2SA932(L,K)	TRANSISTOR		
Q 581	2SA932(L,K)	TRANSISTOR	5V REGURETOR	
Q 591	2SA1309(PS)	TRANSISTOR		
R 501	QRD161J-124	CARBON RESISTOR	120K 5% 1/6W	
R 502	QRD161J-103	CARBON RESISTOR	10K 5% 1/6W	
R 504	QRD161J-202	CARBON RESISTOR	2.0K 5% 1/6W	
R 505	QRD161J-100	CARBON RESISTOR	10 5% 1/6W	
R 506	QRD161J-101	CARBON RESISTOR	100 5% 1/6W	
R 507	QRD161J-120	CARBON RESISTOR	12 5% 1/6W	
R 511	QRD161J-183	CARBON RESISTOR	18K 5% 1/6W	
R 512	QRD161J-392	CARBON RESISTOR	3.9K 5% 1/6W	
R 513	QRD167J-352	CARBON RESISTOR	3.3K 5% 1/6W	
R 514	QRD161J-472	CARBON RESISTOR	4.7K 5% 1/6W	
R 515	QRD161J-103	CARBON RESISTOR	10K 5% 1/6W	
R 516	QRD161J-103	CARBON RESISTOR	10K 5% 1/6W	
R 517	QRD161J-202	CARBON RESISTOR	2.0K 5% 1/6W	
R 518	QRD161J-335YT	CARBON RESISTOR	3.3M 5% 1/6W	
R 521	QRD161J-154	CARBON RESISTOR	150K 5% 1/6W	
R 522	QRD161J-392	CARBON RESISTOR	3.9K 5% 1/6W	
R 523	QRD161J-472	CARBON RESISTOR	4.7K 5% 1/6W	
R 524	QRD161J-331	CARBON RESISTOR	330 5% 1/6W	
R 525	QRD161J-472	CARBON RESISTOR	4.7K 5% 1/6W	
R 529	QRD167J-562	CARBON RESISTOR	5.6K 5% 1/6W	
R 551	QRD161J-473	CARBON RESISTOR	47K 5% 1/6W	
R 532	QRD161J-104	CARBON RESISTOR	100K 5% 1/6W	
R 533	QRD161J-153	CARBON RESISTOR	15K 5% 1/6W	
R 541	QRD161J-123	CARBON RESISTOR	12K 5% 1/6W	
R 542	QRD167J-352	CARBON RESISTOR	3.3K 5% 1/6W	
R 543	QRD161J-473	CARBON RESISTOR	47K 5% 1/6W	
R 544	QRD161J-223	CARBON RESISTOR	22K 5% 1/6W	
R 545	QRD161J-103	CARBON RESISTOR	10K 5% 1/6W	
R 548	QRD161J-153	CARBON RESISTOR	15K 5% 1/6W	
R 549	QRD161J-821	CARBON RESISTOR	820 5% 1/6W	
R 550	QRD161J-104	CARBON RESISTOR	100K 5% 1/6W	
R 551	QRD161J-223	CARBON RESISTOR	22K 5% 1/6W	
R 552	QRD167J-562	CARBON RESISTOR	5.6K 5% 1/6W	
R 553	QRD161J-821	CARBON RESISTOR	820 5% 1/6W	
R 555	QRD161J-392	CARBON RESISTOR	3.9K 5% 1/6W	
R 559	QRD161J-125	CARBON RESISTOR	1.2M 5% 1/6W	
R 561	QRD167J-562	CARBON RESISTOR	5.6K 5% 1/6W	
R 562	QRD161J-102	CARBON RESISTOR	1.0K 5% 1/6W	
R 563	QRD161J-152	CARBON RESISTOR	1.5K 5% 1/6W	
R 564	QRD167J-332	CARBON RESISTOR	3.3K 5% 1/6W	
R 565	QRD161J-683	CARBON RESISTOR	68K 5% 1/6W	
R 566	QRD161J-273	CARBON RESISTOR	27K 5% 1/6W	
R 583	QRD161J-101	CARBON RESISTOR	100 5% 1/6W	
R 584	QRD161J-331	CARBON RESISTOR	330 5% 1/6W	
R 591	QRD161J-473	CARBON RESISTOR	47K 5% 1/6W	
R 611	QRD161J-102	CARBON RESISTOR	1.0K 5% 1/6W	
R 612	QRD161J-103	CARBON RESISTOR	10K 5% 1/6W	

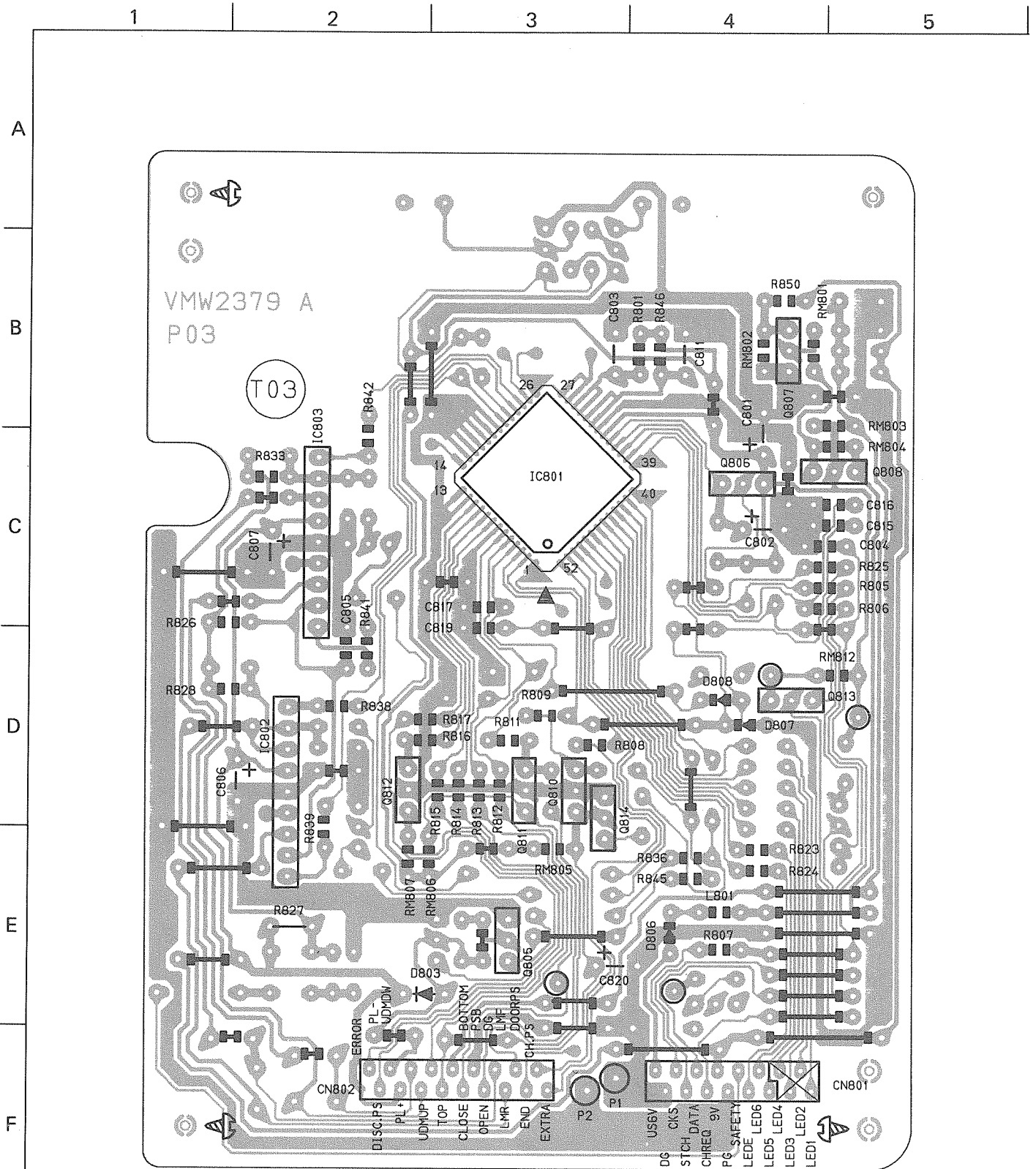


Fig. 11

● CD Changer Microprocessor Board Parts List

BLOCK NO. 05		BLOCK NO. 05		BLOCK NO. 05		BLOCK NO. 05	
REF.	PARTS NO.	PARTS NAME	REMARKS	SUFFIX	SUFFIX		
R 842	QRD161J-102	CARBON RESISTOR	1.0K 5% 1/6W				
R 845	QRD167J-332	CARBON RESISTOR	3.3K 5% 1/6W				
R 846	QRD161J-105	CARBON RESISTOR	1.0M 5% 1/6W				
R 850	QRD161J-822	CARBON RESISTOR	8.2K 5% 1/6W				
RM801	QRD161J-103	CARBON RESISTOR	10K 5% 1/6W				
RM802	QRD161J-152	CARBON RESISTOR	1.5K 5% 1/6W				
RM803	QRD161J-151	CARBON RESISTOR	150 5% 1/6W				
RM804	QRD161J-473	CARBON RESISTOR	47K 5% 1/6W				
RM805	QRD161J-224	CARBON RESISTOR	220K 5% 1/6W				
RM806	QRD161J-224	CARBON RESISTOR	220K 5% 1/6W				
RM807	QRD161J-104	CARBON RESISTOR	100K 5% 1/6W				
RM812	QRD161J-473	CARBON RESISTOR	47K 5% 1/6W				

BLOCK NO. 05		BLOCK NO. 05		BLOCK NO. 05		BLOCK NO. 05	
REF.	PARTS NO.	PARTS NAME	REMARKS	SUFFIX	SUFFIX		
C 801	QEK61AM-1072M	E. CAPACITOR	100MF 20% 10V				
C 802	QEK41EM-475	E. CAPACITOR	4.7MF 20% 25V				
C 803	GFN41HJ-102	M. CAPACITOR	1000PF 5% 50V				
C 804	QCS11HJ-470	C. CAPACITOR	47PF 5% 50V				
C 805	QCVB1CM-103Y	C. CAPACITOR	-0.10MF 20% 16V				
C 806	QEK41CM-476	E. CAPACITOR	47MF 20% 16V				
C 807	QEK41CM-476	E. CAPACITOR	47MF 20% 16V				
C 811	GFN41HJ-102	M. CAPACITOR	1000PF 5% 50V				
C 815	QCVB1HK-102Y	C. CAPACITOR	1000PF 10% 50V				
C 816	QCVB1HK-102Y	C. CAPACITOR	1000PF 10% 50V				
C 817	QCVB1CM-103Y	C. CAPACITOR	-0.10MF 20% 16V				
C 818	QCFB1HZ-104Y	C. CAPACITOR	-10MF +80% -20%				
C 819	QCVB1CM-103Y	C. CAPACITOR	-0.10MF 20% 16V				
C 820	QEK41HM-225	E. CAPACITOR	2.2MF 20% 50V				
CN801	VMC0161-R12	CONNECTOR	TO U-COM				
CN802	VMC0163-R18	CONNECTOR	TO CD MECHA				
D 803	1SR35-100	SI DIODE					
D 806	1SS133	SI DIODE					
D 807	1SS133	SI DIODE					
D 808	1SS133	SI DIODE					
I 6801	UPD656126C-068	IC					
I 6802	TAB409S	IC					
I 6803	TAB409S	IC					
L 801	VQP0018-100	INDUCTOR					
Q 805	2SC2001(L,K)	TRANSISTOR					
Q 806	DTA147ES	TRANSISTOR					
Q 807	2SC1740S(R,S)	TRANSISTOR					
Q 808	2SA1317	TRANSISTOR					
Q 810	2SA1317	TRANSISTOR					
Q 811	2SA1317	TRANSISTOR					
Q 812	2SA1317	TRANSISTOR					
Q 813	2SC1740S(R,S)	TRANSISTOR					
R 801	QRD161J-105	CARBON RESISTOR	1.0M 5% 1/6W				
R 805	QRD161J-471	CARBON RESISTOR	470 5% 1/6W				
R 806	QRD161J-471	CARBON RESISTOR	470 5% 1/6W				
R 807	QRD161J-471	CARBON RESISTOR	470 5% 1/6W				
R 808	QRD161J-102	CARBON RESISTOR	1.0K 5% 1/6W				
R 809	QRD161J-681	CARBON RESISTOR	680 5% 1/6W				
R 811	QRD161J-681	CARBON RESISTOR	680 5% 1/6W				
R 812	QRD161J-102	CARBON RESISTOR	1.0K 5% 1/6W				
R 813	QRD161J-102	CARBON RESISTOR	1.0K 5% 1/6W				
R 814	QRD161J-102	CARBON RESISTOR	1.0K 5% 1/6W				
R 815	QRD161J-102	CARBON RESISTOR	1.0K 5% 1/6W				
R 816	QRD161J-681	CARBON RESISTOR	680 5% 1/6W				
R 817	QRD161J-102	CARBON RESISTOR	1.0K 5% 1/6W				
R 823	QRD161J-223	CARBON RESISTOR	22K 5% 1/6W				
R 824	QRD161J-223	CARBON RESISTOR	22K 5% 1/6W				
R 825	QRD161J-471	CARBON RESISTOR	470 5% 1/6W				
R 826	QRD161J-181	CARBON RESISTOR	180 5% 1/6W				
R 827	QRZ0076-100X	FUSI RESISTOR	10 1/0W				
R 828	QRD161J-102	CARBON RESISTOR	1.0K 5% 1/6W				
R 833	QRD161J-102	CARBON RESISTOR	1.0K 5% 1/6W				
R 838	QRD161J-102	CARBON RESISTOR	1.0K 5% 1/6W				
R 839	QRD161J-102	CARBON RESISTOR	1.0K 5% 1/6W				
R 841	QRD161J-102	CARBON RESISTOR	1.0K 5% 1/6W				

Block No. M 1

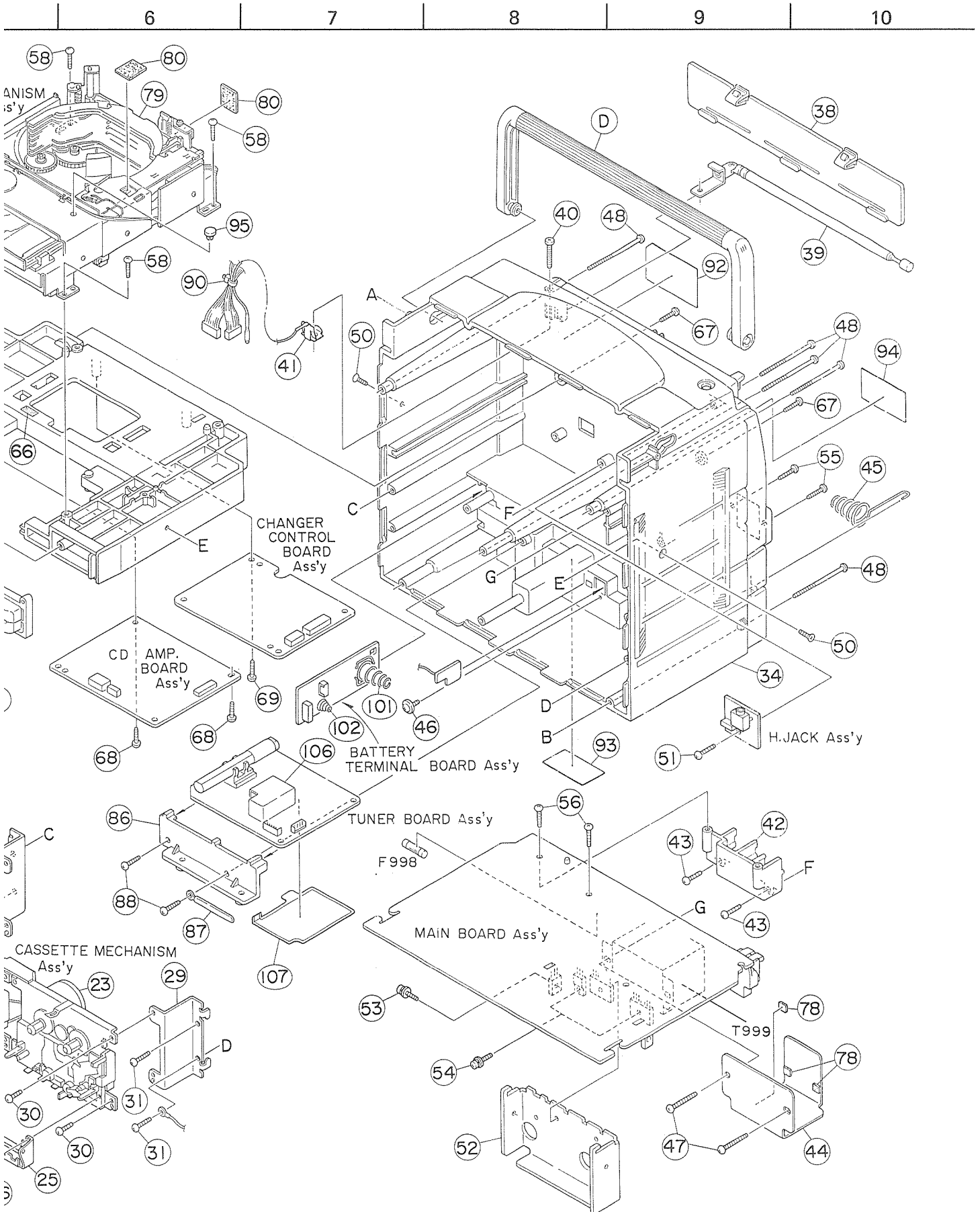


Fig. 12

● Enclosure Component Parts List

BLOCK NO.

REF.	PARTS NO.	PARTS NAME	REMARKS	QTY	SUFFIX	CLR
A	ZCPRXC30J-FB	FRONT CABINET	NO.1-3,13,15	1		
B	ZCPRXC30K-CBA	CASSETTE CASE	NO.16,18,20	1		
C	ZCPRXC30K-CBB	CASSETTE CASE	NO.17,19-20	1		
D	PCXC50K-HANDLE	HANDLE ASS'Y		1		
1	VJG1287-011UL	FRONT PANEL		1		
2	VJD3973-004	LCD PLATE		1		
3	VJD5451-002	CD LENS		1		
4	VXP5245-001	PUSH KNOB	POWER	1		
5	SBSF2608Z	SCREW		1		
6	VXP2088-002	PUSH KNOB	1-6.VOL.BAS/TRE	1		
7	SBSF2608Z	SCREW		3		
8	VXP3653-001	PUSH KNOB	TAPE.SPEED.OPEN	1		
9	SBSF2608Z	SCREW		1		
10	VXP3660-001	PUSH KNOB	PLAY/PAUSE	1		
11	VXP5247-001	PUSH KNOB	TUNER UP/DOWN	1		
12	SBSF2608Z	SCREW		1		
13	VJK4424-001	AHB LENS		1		
15	VJD3971-001	CONTROL PLATE		1		
16	VJT2341-003	CASSETTE DOOR(L)		1		
17	VJT2341-004	CASSETTE DOOR(R)		1		
18	VJT4214-001	DOOR LENS(L)		1		
19	VJT4214-002	DOOR LENS(R)		1		
20	VKY4180-001	CASSETTE SPRING		4		
21	VKW5127-002	DOOR SPRING		2		
22	VYH5601-001	GEAR		2		
23	-----	XC50 C.MECHA	PC-X130 MECHA	1		
24	182131301ZT	BUTTON FRAME		1		
25	182131307ZT	BUTTON FLAME		1		
26	99991402T	MINI SCREW		4		
27-1	VXP3348-201	PUSH BUTTON	REC	1		
27-2	VXP3348-203	PUSH BUTTON	PLAY	2		
27-3	VXP3348-204	PUSH BUTTON	REW	2		
27-4	VXP3348-205	PUSH BUTTON	FF	2		
27-5	VXP3348-206	PUSH BUTTON	STOP/EJECT	2		
27-6	VXP3348-207	PUSH BUTTON	PAUSE	1		
28	VKL7725-001	MECHA BRACKET		1		
29	VKL7725-002	MECHA BRACKET		1		
30	SBST3006Z	SCREW	MECHA BKT+MECHA	4		
31	SBSF3010Z	SCREW	MECHA BKT+REAR	4		
32	QHX5080-001	WIRE CLAMP		6		
33	SBSF3010Z	SCREW	MECHA+REAR	1		
34	VJG1288-005UL	REAR CABINET		1		
38	VJC2016-023SS	BATTERY COVER		1		
39	VJA3036-00A	ROD ANT ASS'Y		1		
40	SDSP3020N	SCREW	ANT	1		
41	VYH6739-001	TERMINAL LUG		1		
42	VYH3830-001	AC HOLDER		1		
43	SBSF3010Z	SCREW	AC HOL+REAR CAB	2		
44	VYH7888-001	SHIELD	TRANS	1		
45	VYH5657-001	BATTERY SPRING	BATTERY	1		
46	E65923-003	TAPPING SCREW		1		
47	SBSF4020Z	SCREW	TRANS	2		
48	SBSF3050Z	SCREW	FRONT+REAR	5		
49	SSSF3010M	SCREW	FRONT+HANDLE	2		
50	SBSF3010Z	SCREW	CHASSIS+S.CHASS	2		

BLOCK NO. M1MM | | | |

REF.	PARTS NO.	PARTS NAME	REMARKS	QTY	SUFFIX	CLR
51	SSSF3010M	SCREW	REAR+CHASSIS	2		
52	SBSF3010Z	SCREW	REAR+H.P PWB	1		
53	VYH3827-002	HEAT SINK		1		
54	DPSP3010Z	SCREW	IC	1		
54	SBSF3010Z	SCREW		2		
55	SBSF3010Z	SCREW	SP TARMINAL	2		
56	SBSF3010Z	SCREW	AC HOL+PWB	2		
57	VYH1244-001	CHASSIS		1		
58	SBSF3010Z	SCREW	CHASSIS+CD MECH	4		
59	VYH1245-002	SUB CHASSIS		1		
63	SBSF3010Z	SCREW	MICON PWB+S.CHA	7		
64	VYH7945-001	BOSS		1		
65	SBSF3016Z	SCREW	BOSS+SUB CHASSI	1		
67	SBSF3010Z	SCREW	REAR+CHASSIS	2		
68	SBSF3010Z	SCREW	CD PWB+CHASSI	2		
69	SBSF3010Z	SCREW	CHANGER PWB+CHA	1		
70	VJD3972-001	TRAY FITTING		1		
78	PU59915-105	SPACER (SET)	TRANS+SHIELD	1		
79	-----	CHANGER MECHA		1		
80	VYSA1R6-049	SPACER		2		
81	VYH3828-001	LCD HOLDER		1		
83	VYH7892-001	LED HOLDER	POWER/STANDBY	1		
85	VYH7894-002	LED HOLDER	AHB	1		
86	VYH3829-001	HOLDER	TUNER HOLDER	1		
87	VKZ4001-110	WIRE CLAMP		1		
88	SBSF3012Z	SCREW	HOLDER+REAR	2		
90	QHX5080-001	WIRE CLAMP		1		
92	VYN7066-M006T	NAME PLATE		1	J	
92	VYN7066-M004T	NAME PLATE		1	C	
93	VND5008-001	FCC LABEL(4)		1		
94	VND5001-002	HHS LABEL	JEM -007	1		
95	VKS5503-001	GUIDE PIN		1		
F 998	QMF0007-5R0J1	FUSE		1		
T 999	VTP57P2-12B	POWER TRANS.		1		
101	VYH5483-101	SPRING	FOR UM-1	1		
102	VYH6889-002	BATT.SPRING	FOR UM-3	1		
106	VMA4589-002	SHIELD CASE		1		
107	VMA4572-002	SHIELD		1		



VICTOR COMPANY OF JAPAN, LIMITED
 AUDIO PRODUCTS DIVISION 10-1, 1-chome, Ohwatari-machi, Maebashi-city, Japan